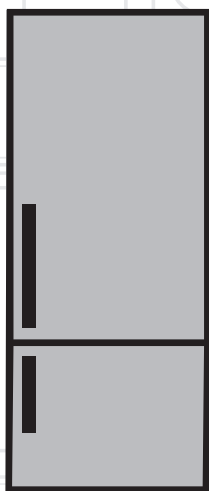


# Refrigerator

User manual



RCNE560E40ZXP

RCNE560E41DZXP

RCNE560K30P

RCNE560K30W

RCNE560E40LZXR

EN | DE | FR

**beko**

## **Please read this manual before using the product!**

Dear Valued Customer,





We wish you to get the best results from your product that has been manufactured meticulously at modern plants and tested with detailed quality control checks.

For this reason, we recommend that you read this user manual thoroughly before starting the product. If you hand over the product to someone else, please remember to give the user manual as well.

### **This manual will help you use your appliance in a fast and safe way.**

- Please read this user manual carefully before installing and using the product.
- Always follow the applicable safety instructions.
- Keep the user manual in an easily accessible place for further use.
- Please read all the other documents provided with the product.

Please keep in mind that this manual may apply to several product models. This manual expressly indicates the differences between various models.

	Important information and useful hints.
	Risk of injury and property damage.
	Risk of electric shock.
	Packaging materials of this product has been manufactured from recyclable materials in accordance with the National Environment Regulations.

---

## **1 Important Instructions Regarding Safety and Environment** **3**

---

1.1. General Safety . . . . .	3
1.1.1 Hydrocarbon (HC) Warning . . . . .	5
1.1.2 For Products with a Water Dispenser/Ice Machine	5
1.2. Intended Use . . . . .	6
1.3. Children's Safety . . . . .	6
1.4. Compliance with the WEEE Directive and Disposing the Waste Product: . . . . .	6
1.5. Compliance with the RoHS Directive: . . . . .	6
1.6. Packaging Information . . . . .	6

## **2 Your Refrigerator** **7**

---

### **3 Installation** **8**

---

3.1. Right place for installation. . . . .	8
3.2. Attaching the plastic wedges . . . . .	8
3.3. Adjusting the stands . . . . .	8
3.4. Power connection. . . . .	8
3.5. Reversing the doors . . . . .	9
3.6. Reversing the doors . . . . .	10

### **4 Preparation** **11**

---

4.1. What to do for energy saving . . . . .	11
4.2. First Use . . . . .	11

## **5 Using the product** **12**

---

5.1. Temperature adjustment button . . . . .	12
5.2. Rapid freezing . . . . .	12
5.3. Vacation function . . . . .	13
5.4. Thermostat setting button . . . . .	14
5.5. Thermostat setting button . . . . .	14
5.6. Defrost. . . . .	14
5.7. Indicator panel . . . . .	15
5.8. Indicator panel . . . . .	17
5.9. Indicator panel . . . . .	20
5.10. Ice bucket . . . . .	22
5.11. Eggholder . . . . .	22
5.12. Fan . . . . .	22
5.13. Vegetable bin . . . . .	22
5.14. Zero degree compartment . . . . .	22
5.15. Moving door rack . . . . .	23
5.16. Sliding storage box . . . . .	23
5.17. Moisture controlled vegetable bin . . . . .	24
5.18. Automatic ice machine . . . . .	24
5.19. Icematic and ice storage container . . . . .	25
5.20. Using the water dispenser . . . . .	25
5.21. Filling the water dispenser's tank . . . . .	26
5.22. Cleaning the water tank . . . . .	26
5.23. Drip tray. . . . .	27
5.24. HerbBox/HerbFresh . . . . .	27
5.25. Freezing fresh food. . . . .	28
5.26. Recommendations for storing frozen foods . . . . .	28
5.27. Deep freezer details . . . . .	29
5.28. Placing the food . . . . .	29
5.29. Door open alert . . . . .	29
5.30. Changing the opening direction of the door . . . . .	29
5.31. Interior light . . . . .	29

## **6 Care and Cleaning** **30**

---

6.1. Avoiding Bad Odours . . . . .	30
6.2. Protection of plastic surfaces . . . . .	30
6.3. Cleaning the Inner Surface . . . . .	30
6.4. Stainless Steel Outer Surfaces . . . . .	30
6.5. Cleaning Products with Glass Doors . . . . .	31

## **6 Care and Cleaning** **31**

---





## **7 Troubleshooting** **32**

---

# 1 Important Instructions Regarding Safety and Environment

This chapter contains safety information that will help you avoid the risk personal injury or property damage. Failure to follow these instructions shall render any product warranty void.

## Intended use

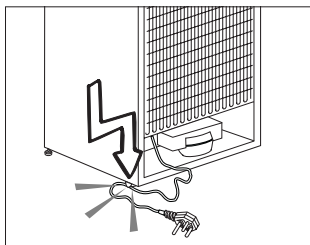
	<b>WARNING:</b> Keep ventilation openings, in the appliance enclosure or in the built-in structure, clear of obstruction.
	<b>WARNING:</b> Do not use mechanical devices or other means to accelerate the defrosting process, other than those recommended by the manufacturer.
	<b>WARNING:</b> Do not damage the refrigerant circuit.
	<b>WARNING:</b> Do not use electrical appliances inside the food storage compartments of the appliance, unless they are of the type recommended by the manufacturer.

This appliance is intended to be used in household and similar applications such as

- staff kitchen areas in shops, offices and other working environments;
- farm houses and by clients in hotels, motels and other residential type environments;
- bed and breakfast type environments;
- catering and similar non-retail applications.

## 1.1. General Safety

- Persons with physical, sensory or mental disabilities; persons who lack experience and information and children should not approach, enter or play with the product.
- Failure to follow the instructions and uncontrolled use of the product lead to dangerous results!
- Unplug the product if you encounter a failure during use.
- If the product malfunctions, it must not be operated until repaired by the authorised service provider. Risk of electric shock!
- Plug the product into a grounded socket protected by a fuse that corresponds to the value on its nameplate. Have a qualified electrician ground the product. Our company cannot be held responsible for damages resulting from the failure to use the product with a grounded socket pursuant to local regulations.
- Unplug the product when not in use.
- Never wash the product by spreading or pouring water onto it! Risk of electric shock!
- Never touch the plug with wet hands!
- Never unplug the product by pulling the cable. Always pull the plug by holding the socket.





## Safety and environment instructions

- Do not plug the refrigerator if the wall socket is loose.
- Never connect your refrigerator to energy saving devices. Such systems are harmful to your product.
- Unplug the product during installation, care, cleaning and repairing procedures.
- Always have the **Authorised Service Provider** install the product and establish its electrical connections. The manufacturer cannot be held responsible for damages caused by procedures performed by unauthorised persons.
- Do not eat cone ice cream or ice cubes immediately after you take them out of the freezer compartment! This may cause frostbite in your mouth!
- Do not touch frozen food with wet hands! They may stick to your hand!
- Do not put bottled or canned liquid beverages in the freezer compartment. They may burst!
- Never use steam or steam cleaners to clean or defrost the refrigerator. Steam gets into contact with the live parts in your refrigerator, causing short circuit or electric shock!
- Do not use mechanical devices or other means to accelerate the defrosting process other than those recommended by the manufacturer.
- Never use the parts in your refrigerator such as the door and drawer as a means of support or step. This may cause the product to tip over or damage the parts of it.
- Do not damage the parts where the refrigerant is circulating with drilling or cutting tools. The refrigerant that might blow out when the gas channels of the evaporator, pipe extensions or surface coatings are punctured causes skin irritations and eye injuries.
- Do not cover or block the ventilation holes in your refrigerator with any object.
- Place the beverage with higher proofs tightly closed and vertically.
- Do not use gaseous sprays near the product since there is the risk of fire or explosion!
- Flammable items or products that contain flammable gases (e.g. spray) as well as explosive materials should never be kept in the appliance.
- Do not place vessels filled with liquid onto the product. Splashing water on an electrical part may cause electric chock or the risk of fire.
- Do not store items that need precise temperature adjustment (such as vaccines, heat-sensitive medication, science materials etc.) in the refrigerator.
- If you are not going to use the product for a long time, unplug it and remove the food in it.
- If there is a blue light on the refrigerator, do not look at this light with optical tools.
- Exposing the product to rain, snow, sun or wind is dangerous in terms of electrical safety.
- In products with mechanical control (thermostat), wait for 5 minutes to plug in the product again after unplugging.
- Do not overload the refrigerator. Objects in the refrigerator may fall down when the door is opened, causing injury or damage. Similar

## Safety and environment instructions

problems may arise if any object is placed onto the product.

- If the product has a door handle, do not pull the handle when re-locating the product. The handle might be loose.
- Be careful not to jam your hand or any other body part in the moving parts of the refrigerator.
- Do not put your hand or any other foreign materials into the ice machine while it is operating.

### 1.1.1 Hydrocarbon (HC) Warning

- If your product's cooling system contains R600a:

This gas is flammable. Therefore, pay attention not to damage the cooling system or the piping during use and transportation. If damaged, keep the product away from potential fire sources that may cause it to catch fire and ventilate the room where the product is placed.



If the product is damaged and if you see gas leak, please keep away from the gas. It may cause frostbite when it gets into contact with the skin. (including R134)



Ignore this warning if the cooling system of your product contains R134a.



Type of gas used in the product is stated on the type plate which is on the left wall inside the refrigerator.



### WARNING:

Never throw the product into fire for disposal.

### 1.1.2 For Products with a Water Dispenser/Ice Machine

- Pressure for cold water inlet shall be maximum 90 psi (620 kPa). If your water pressure exceeds 80 psi (550 kPa), use a pressure limiting valve in your mains system. If you do not know how to check your water pressure, ask for the help of a professional plumber.
- If there is a risk of water impact in your installation, always use a water impact protection equipment in that installation. Please consult professional plumbers if you are not sure if there is water impact in your installation.
- Do not make installation on the hot water inlet.
- Use drinking water only.
- Take the necessary measures against the freezing risk of the hoses. The water temperature operating range must be 0.6°C (33°F) minimum and 38°C (100°F) maximum.



### WARNING:

Never connect the product to a cold water mains with a pressure of 550 kPa (80 psi) or above.

## Safety and environment instructions

### 1.2. Intended Use

- This product has been designed for domestic use. It is not suitable for commercial use and it must not be used out of its intended use.
- It must be used only for storing food.
- The manufacturer will not take any responsibility for damages resulting from improper use or transport.
- Original spare parts will be available for 10 years after the purchase date of the product.

### 1.3. Children's Safety

- If there is a lock on the door of the product, the key should be kept out of the reach of children.
- Do not let children play with the product.

#### **DANGER:**

Before disposing your old refrigerator or freezer:

- Children may get locked inside.
- Remove the doors.
- Leave the shelves to prevent children from getting inside the product easily.



### 1.4. Compliance with the WEEE Directive and Disposing the Waste Product:



This product conforms to the EU WEE Directive (2012/19 EU). This product bears a classification symbol for waste electrical and electronic equipment (WEEE). This product has been manufactured from high quality parts and materials which can be reused and are suitable for recycling. Therefore, do not dispose the product with normal domestic waste or other waste at the end of its service life. Take it to a collection centre for recycling electrical and electronic equipment. Please consult local authorities to learn about the locations of such collection centres.

### 1.5. Compliance with the RoHS Directive:

The unit you have purchased conforms to the EU RoHS Directive (2011/65/EU). It does not contain harmful or prohibited materials specified in the Directive.

### 1.6. Packaging Information

- Packaging materials of the product have been manufactured from recyclable materials in accordance with our National Environment Regulations. Do not dispose the packaging materials with normal domestic waste or other types of waste. Take these materials to a recycling point designated by local authorities.

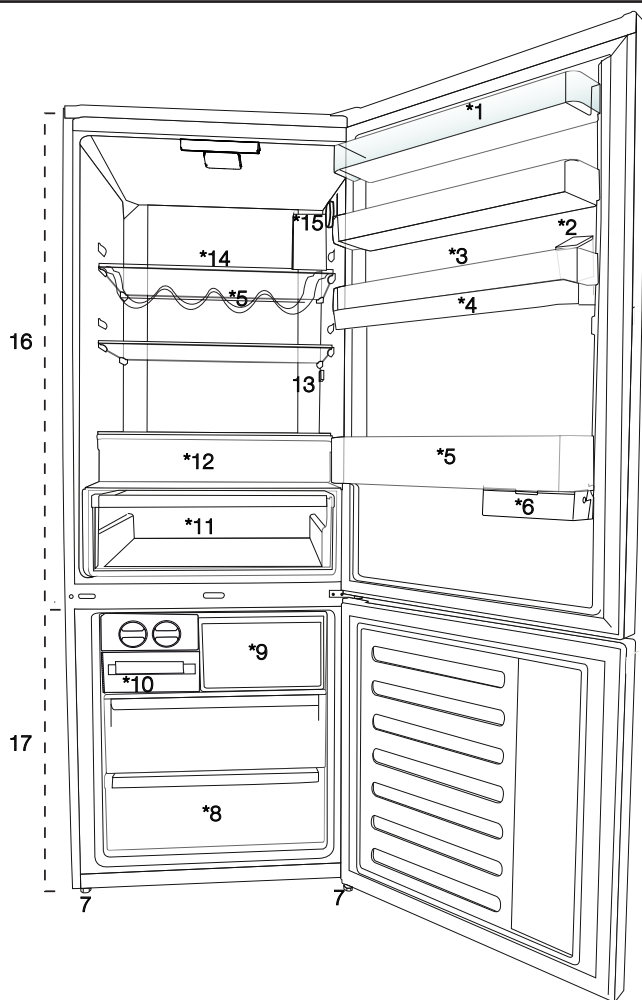
#### **DANGER:**

##### **Risk of Fire or Explosion:**

- This product uses flammable refrigerant.
- Do not use mechanical devices to defrost the refrigerator.
- Do not use chemicals for cleaning.
- Do not pierce the refrigerant pipe.
- If the refrigerant pipe is pierced, it must be repaired only by licensed service personnel.
- Please consult the repair/user manual before cleaning the product. All safety instructions must be followed.
- Dispose the product according to federal or local regulations.



## 2 Your Refrigerator



1. Cooler compartment door shelf
2. Water dispenser filling tank
3. Egg section
4. Water dispenser reservoir
5. Bottle shelf
6. Sliding storage box
7. Adjustable legs
8. Deep freezer compartment
9. Quick freeze compartment
10. Ice cube tray & Ice bank
11. Vegetable bin
12. Zero degree compartment
13. Interior light
14. Cooler compartment glass shelf
15. Temperature adjustment button
16. Cooler compartment
17. Freezer compartment




**May not be available in all models**



**\*optional:** Pictures given in this manual are given as example figures and they may not be exactly the same as your product. If your product does not comprise the relevant parts, the information pertains to other models.

### 3.1. Right place for installation

Contact the Authorized Service for the product's installation. To ready the product for installation, see the information in the user guide and make sure the electric and water utilities are as required. If not, call an electrician and plumber to arrange the utilities as necessary.

	<b>WARNING:</b> The manufacturer assumes no responsibility for any damage caused by the work carried out by unauthorized persons.
	<b>WARNING:</b> The product's power cable must be unplugged during installation. Failure to do so may result in death or serious injuries!
	<b>WARNING:</b> If the door span is too narrow for the product to pass, remove the door and turn the product sideways; if this does not work, contact the authorized service.

- Place the product on a flat surface to avoid vibration.
- Place the product at least 30 cm away from the heater, stove and similar sources of heat and at least 5 cm away from electric ovens.
- Do not expose the product to direct sunlight or keep in damp environments.
- The product requires adequate air circulation to function efficiently.
- If the product will be placed in an alcove, remember to leave at least 5 cm distance between the product and the ceiling and the walls.
- Do not install the product in environments with temperatures below -5°C.

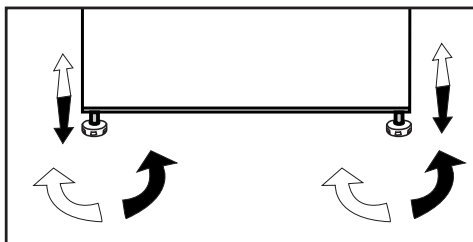
### 3.2. Attaching the plastic wedges

Use the plastic wedges in the provided with the product to provide sufficient space for air circulation between the product and the wall.




1. To attach the wedges, remove the screws on the product and use the screws provided with the wedges.
2. Attach 2 plastic wedges on the ventilation cover as shown in the figure.

### 3.3. Adjusting the stands


If the product is not in balanced position, adjust the front adjustable stands by rotating right or left.



### 3.4. Power connection

	<b>WARNING:</b> Do not use extension or multi sockets in power connection.
	<b>WARNING:</b> Damaged power cable must be replaced by Authorized Service.
	When placing two coolers in adjacent position, leave at least 4 cm distance between the two units.

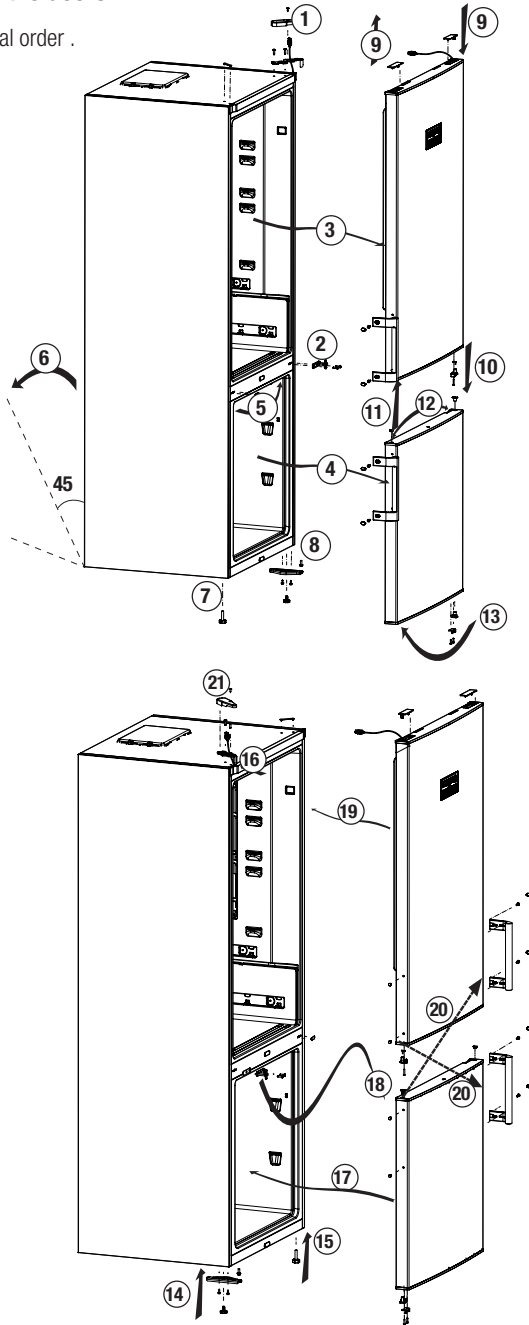
- Our firm will not assume responsibility for any damages due to usage without earthing and power connection in compliance with national regulations.
- The power cable plug must be easily accessible after installation.
- Do not use multi-group plug with or without extension cable between the wall socket and the refrigerator.

	<b>Hot Surface Warning!</b> Side walls of your product is equipped with refrigerant pipes to improve the cooling system. Refrigerant with high temperatures may flow through these areas, resulting in hot surfaces on the side walls. This is normal and does not need any servicing. Please pay attention while touching these areas.
-------------------------------------------------------------------------------------	--------------------------------------------------------------------------------------------------------------------------------------------------------------------------------------------------------------------------------------------------------------------------------------------------------------------------------------------

# Installation

## 3.5. Reversing the doors

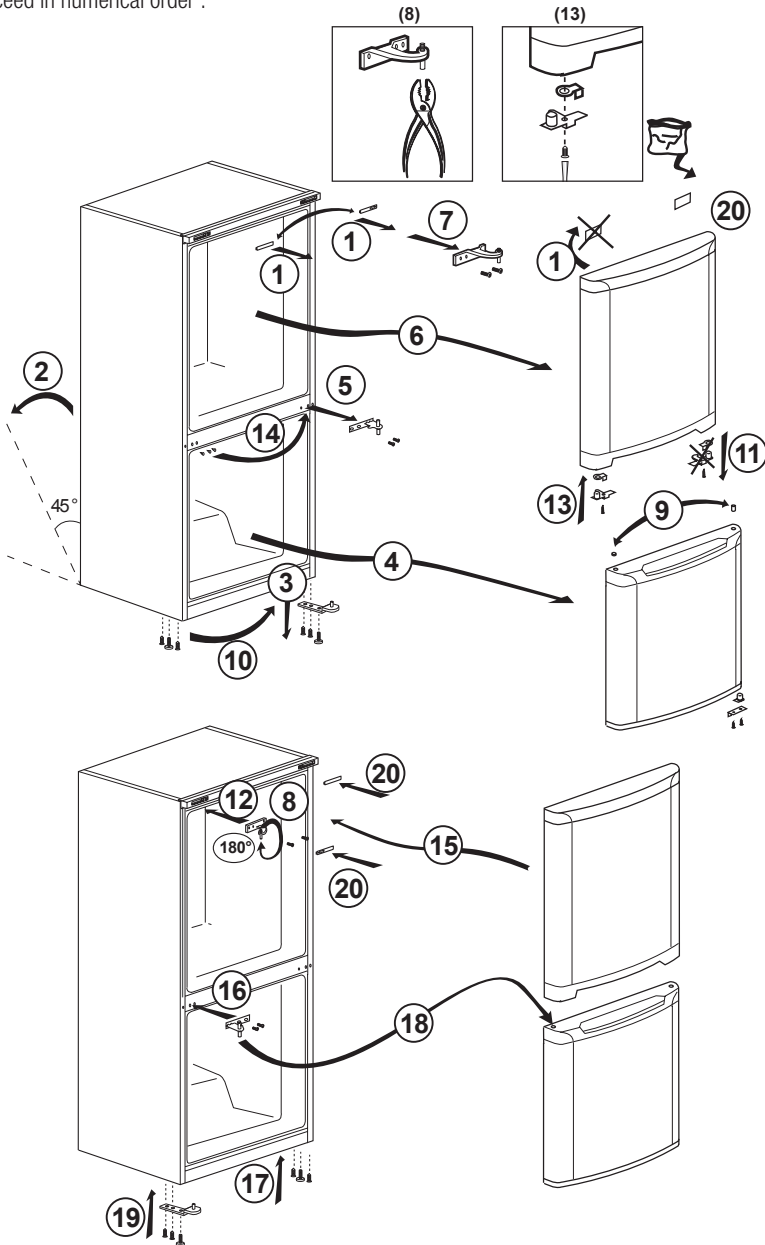
Proceed in numerical order .



# Installation

## 3.6. Reversing the doors

Proceed in numerical order .



## 4 Preparation

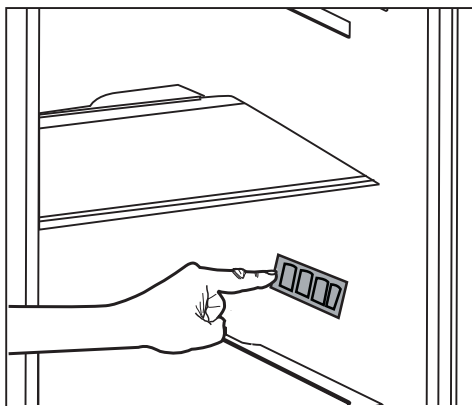
### 4.1. What to do for energy saving



Connecting the product to electronic energy-saving systems is harmful, as it may damage the product.

- Do not keep the refrigerator doors open for long periods.
- Do not place hot food or beverages into the refrigerator.
- Do not overfill the refrigerator; blocking the internal air flow will reduce cooling capacity.
- In order to store the maximum amount of food into the cooler compartment of your refrigerator, you should take out the upper drawers and place it onto the glass rack. The declared energy consumption of your refrigerator was determined by taking out the cooler, ice tray and upper drawers in a way that will enable maximum storage. Using the below drawer when storing is strongly recommended. Energy saving function should be activated for best energy consumption.
- You should not block the airflow by putting food in front of the cooler fan. A space of minimum 3cm must be left in front of the protective fan wire when placing food.
- Depending on the product's features; defrosting frozen foods in the cooler compartment will ensure energy saving and preserve food quality.
- Food should be stored using the drawers in the cooler compartment in order to ensure energy saving and protect food in better conditions.
- Food packages should not be in direct contact with the heat sensor located in the cooler compartment. If they are in contact with the sensor, energy consumption of the appliance might increase.
- Make sure the foods are not in contact with the cooler compartment temperature sensor described below.

- Keep the product running with no food inside for 6 and do not open the door, unless absolutely necessary.



A sound will be heard when the compressor is engaged. It is normal to hear sound even when the compressor is inactive, due to the compressed liquids and gasses in the cooling system.



Front edges of the product might heat up. This is normal. These areas are designed to warm up in order to prevent condensation.



In some models indicator panel turns off automatically 5 minutes after the door closes. It will be reactivated when the door is open or any button is pressed.

### 4.2. First Use

Before using your refrigerator, make sure the necessary preparations are made in line with the instructions in "Safety and environment instructions" and "Installation" sections.



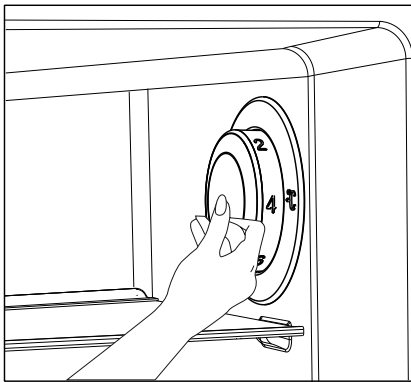
### 5.1. Temperature adjustment button

Internal temperature of your refrigerator varies depending on the following reasons:

- Seasonal temperatures,
- Opening the door frequently and leaving it open for long periods,
- Meals put into the refrigerator without being cooled to room temperature,
- Location of the refrigerator in the room (e.g. exposed to sunshine).
- Internal temperature varying due to these factors can be adjusted via the adjustment button.

Numbers around the adjustment button indicate temperature degrees as “°C”.

If the ambient temperature is 20°C, it is recommended to use the refrigerator temperature adjustment at 4°C. In other ambient temperatures this value can be customised.



### 5.2. Rapid freezing

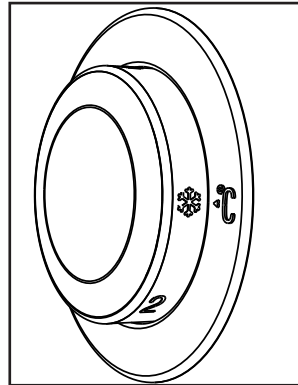
If you want to freeze large amounts of fresh food, switch the temperature adjustment button to



position before putting the food into the quick freezing compartment.

It is recommended to keep the button at this position for 24 hours to freeze maximum amount of food indicated as the freezing capacity. Pay special attention not to mix food stored as frozen and fresh food.

Remember to switch the temperature adjustment button back to its previous position.




**May not be available in all models**



**\*Optional:** The figures in this user guide are intended as drafts and may not perfectly match your product. If your product does not comprise the relevant parts, the information pertains to other models.

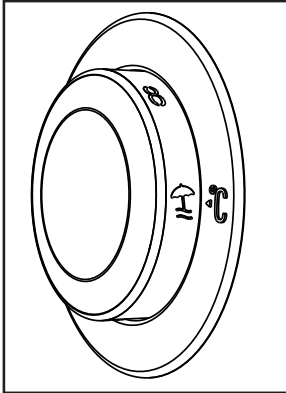
## Using the product

### 5.3. Vacation function

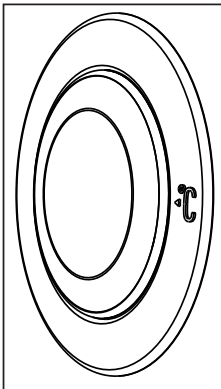
If doors of the product is not (  ) opened for at least 12 hours after adjusting the temperature setting button to the highest, vacation function is automatically activated.

Button setting must be changed to cancel the function.

It is not recommended to store food in the cooler compartment when vacation function is activated.



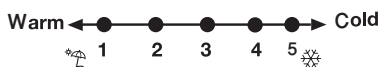
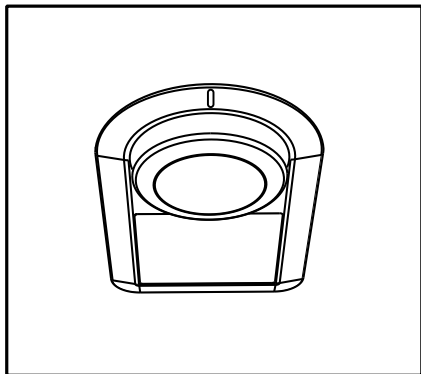
- After setting is completed, you can conceal the temperature setting button by pressing it inside.



## Using the product

### 5.4. Thermostat setting button

The operating temperature is regulated by the temperature control.



1=Lowest cooling setting (Warmest setting).

4=Highest cooling setting (Coldest setting).

The average temperature inside the fridge should be around +5°C.

Please choose the setting according to the desired temperature.

Please note that there will be different temperatures in the cooling area.

The coldest region is immediately above the vegetable compartment.

The interior temperature also depends on ambient temperature, the frequency with which the door is opened and the amount of foods kept inside.

Frequently opening the door causes the interior temperature to rise.

For this reason, it is recommended to close the door again as soon as possible after use.

### 5.5. Thermostat setting button

The interior temperature of your refrigerator changes for the following reasons:

- Seasonal temperatures,
- Frequent opening of the door and leaving the door open for long periods,
- Food put into the refrigerator without cooling down to the room temperature,
- The location of the refrigerator in the room (e.g. exposing to sunlight).
- You may adjust the varying interior temperature due to such reasons by using the thermostat. Numbers around the thermostat button indicates the cooling degrees.
- If the ambient temperature is higher than 32°C, turn the thermostat button to maximum position.
- If the ambient temperature is lower than 25°C, turn the thermostat button to minimum position.

### 5.6. Defrost

Fridge compartment

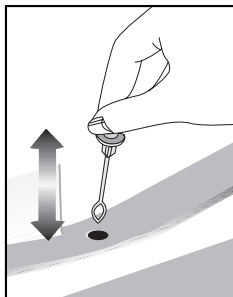
Fridge compartment performs full-automatic defrosting. Water drops and a frosting up to 7-8 mm can occur on the inner rear wall of the fridge compartment while your refrigerator cools down. Such formation is normal as a result of the cooling system. The frost formation is defrosted by performing automatic defrosting with certain intervals thanks to the automatic defrosting system of the rear wall. User is not required to scrape the frost or remove the water drops.

Water resulting from the defrosting passes from the water collection groove and flows into the evaporator through the drain pipe and evaporates here by itself.

Deep freezer compartment does not perform automatic defrosting in order to prevent decaying of the frozen food.

The freezer compartment defrosts automatically.

Check regularly to see if the drain pipe is clogged or not and clear it with the stick in the hole when necessary.



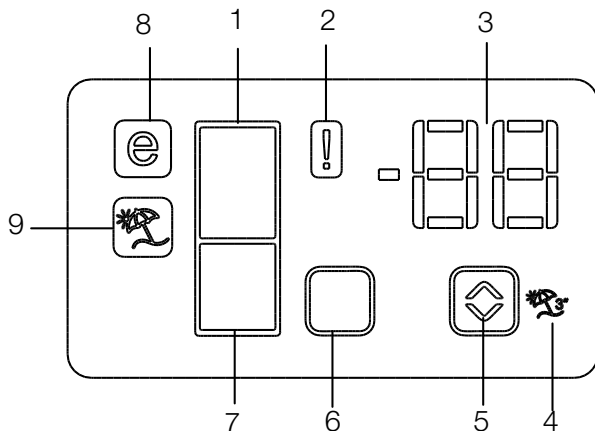
**May not be available in all models**

## Using the product

### 5.7. Indicator panel

Indicator panels may vary according to the product model.

Audio – visual functions on the indicator panel helps you in using your product.



1. Fridge Compartment Indicator
2. Error status indicator
3. Temperature indicator
4. Vacation function button
5. Temperature setting button
6. Compartment selection button
7. Freezer compartment indicator
8. Economy mode indicator
9. Vacation function indicator

**\*optional**

**May not be available in all models**



**\*Optional:** The figures in this user guide are intended as drafts and may not perfectly match your product. If your product does not comprise the relevant parts, the information pertains to other models.

## Using the product

### 1. Fridge compartment indicator

Fridge compartment light is illuminated while the fridge compartment temperature is set.

### 2. Error status indicator

If your refrigerator does not perform enough cooling or in case of a sensor fault, this indicator is activated. When this indicator is activated, "E" is displayed on the freezer compartment temperature indicator, and numbers such as "1,2,3..." are displayed on the fridge compartment temperature indicator. These numbers on the indicator inform service personnel about the error.

### 3. Temperature indicator

Indicates freezer, fridge compartment temperature.

### 4. Vacation function button

Press on Vacation Button for 3 seconds to activate this function. When the vacation function is activated, "- -" is displayed on the fridge compartment temperature indicator and no active cooling is performed on the fridge compartment. It is not suitable to keep the food in the fridge compartment when this function is activated. Other compartments shall be continued to be cooled as per their set temperature.

To cancel this function press **Vacation** button again.

### 5. Temperature setting button

Changes the temperature of the relevant compartment between -24°C... -18°C and 8°C...1°C.

### 6. Compartment selection button

Selection button: Press compartment selection button to switch between fridge and freezer compartments.

### 7. Freezer compartment indicator

Fridge compartment light is illuminated while the freezer compartment temperature is set.

### 8. Economy mode indicator

Indicates that the refrigerator operates in energy saving mode. This display shall be activated if the freezer compartment temperature is set to -18°C.

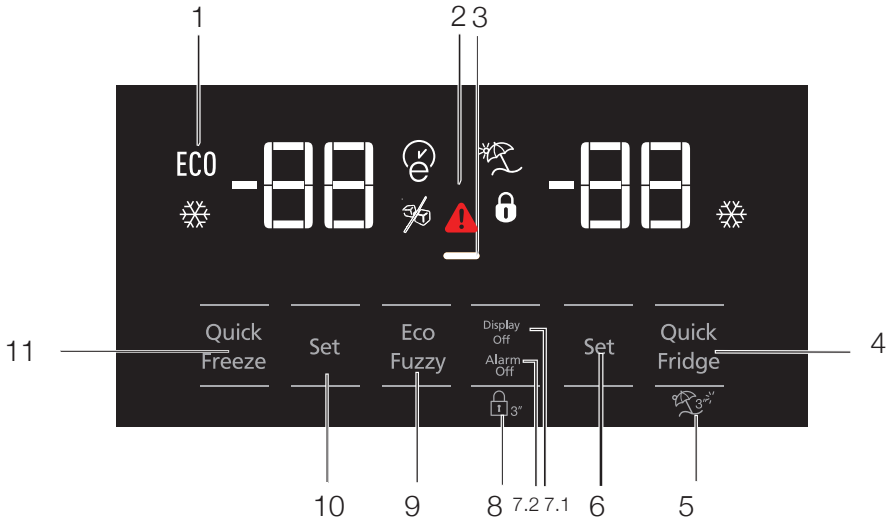
### 9. Vacation function indicator

Indicates that vacation is activated.

## Using the product

### 5.8. Indicator panel

This touch-control indicator panel allows you to set the temperature without opening the door of your refrigerator. Just touch the relevant button with your finger to set the temperature.



- 1- Economic use
- 2- High temperature / fault alert
- 3- Energy saving function (display off)
- 4- Rapid cooling
- 5- Vacation function
- 6- Cooler compartment temperature setting
- 7- Energy saving (display off) / Alarm off warning
- 8- Keypad lock
- 9- Eco-fuzzy
- 10- Freezer compartment temperature setting
- 11- Rapid freezing

**May not be available in all models**




**\*Optional:** The figures in this user guide are intended as drafts and may not perfectly match your product. If your product does not comprise the relevant parts, the information pertains to other models.

## Using the product

### 1. Economic use

This sign will light up when the freezer compartment is set to  $-18^{\circ}\text{C}$ , the most economical setting. (ECO) Economic use indicator will turn off when rapid cooling or rapid freezing function is selected.

### 2. High temperature / fault alert


This indicator () will light up in case of temperature faults or fault alerts. This indicator illuminates during power failure, high temperature failures and error warnings. During sustained power failures, the highest temperature that the freezer compartment reaches will flash on the digital display. After checking the food located in the freezer compartment press the alarm off button to clear the warning.

### 3. Energy saving function (display off)

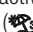

If the product doors are kept closed for a long time energy saving function is automatically activated and energy saving symbol is illuminated. When energy saving function is activated, all symbols on the display other than energy saving symbol will turn off. When the Energy Saving function is activated, if any button is pressed or the door is opened, energy saving function will be cancelled and the symbols on display will return to normal.

Energy saving function is activated during delivery from factory and cannot be cancelled.

### 4. Rapid cooling


When the rapid cooling function is turned on, the rapid cool indicator will light up () and the cooler compartment temperature indicator will display the value 1. Push the Rapid cool button again to cancel this function. The Rapid cool indicator will turn off and return to normal setting. The rapid cooling function will be automatically cancelled after 1 hour, unless cancelled by the user. Too cool a large amount of fresh food, press the rapid cool button before placing the food in the cooler compartment.

### 5. Vacation function

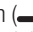
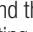
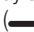
To activate the Vacation function, press the button for () 3 seconds; this will activate the vacation mode indicator (). When the Vacation function is active, the cooler compartment temperature indicator displays the inscription "- -" and no cooling process will be active in the cooling compartment. This function is not suitable to keep food in the cooler compartment. Other compartments will remain cooled with the respective temperature set for each compartment.

Push the **vacation function** button again to cancel this function

### 6. Cooler compartment temperature setting

After pressing the button, the cooler compartment temperature can be set to 8,7,6,5,4,3,2 and 1 respectively. ()

#### 7.1. Energy saving (display off)


Pressing this button () will light up the energy saving sign () and the Energy-saving function will activate. Activating the energy-saving function will turn off all other signs on the display. When the energy-saving function is active, pressing any button or opening the door will deactivate the energy-saving function and the display signals will return to normal. Pressing this button () again will turn off the energy-saving sign and deactivate the energy-saving function.

#### 7.2. Alarm off warning:

In case of power failure/high temperature alarm, after checking the food located in the freezer compartment press the alarm off button to clear the warning.

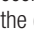
### 8. Keypad lock

Press the keypad lock button () simultaneously for 3 seconds. The keypad lock sign

() will light up and the keypad lock will be activated. The buttons will be inactive when the Keypad lock is activated. Press the Keypad lock button again simultaneously for 3 seconds. The keypad lock sign will turn off and the keypad lock mode will be disengaged.


Press the **keypad lock** button () to prevent changing the refrigerator's temperature settings.

### 9. Eco-fuzzy

To activate the eco-fuzzy function, press and hold the eco-fuzzy button for 1 second. When this function is active, the freezer will switch to the economic mode after at least 6 hours and the economic use indicator will light up. To deactivate the () eco-fuzzy function, press and hold the eco-fuzzy function button for 3 seconds.

The indicator will light up after 6 hours when the eco-fuzzy function is active.

### 10. Freezer compartment temperature setting

The temperature in the freezer compartment is adjustable. Pressing the button will enable the freezer compartment temperature to be set at -18,-19, -20, -21, -22, -23 and -24. ()

## Using the product

---

### 11. Rapid freezing

For rapid freezing, press the button; this will activate the rapid freezing indicator (❄️).

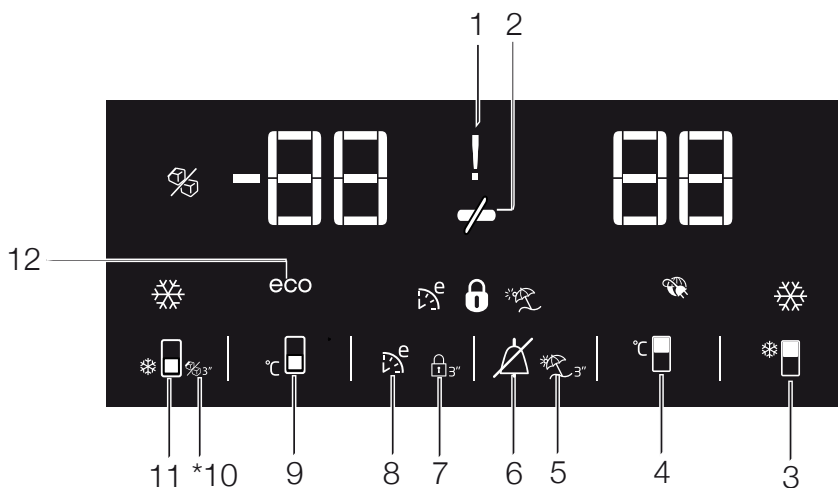
When the rapid freezing function is turned on, the rapid freeze indicator will light up and the freezer compartment temperature indicator will display the value -27. Press the Rapid freeze button (❄️) again to cancel this function. The Rapid freeze indicator will turn off and return to normal setting. The rapid freezing function will be automatically cancelled after 24 hours, unless cancelled by the user. To freeze a large amount of fresh food, press the rapid freeze button before placing the food in the freezer compartment.



## Using the product

### 5.9. Indicator panel

Indicator panel allows you to set the temperature and control the other functions related to the product without opening the door of the product. Just press the inscriptions on relevant buttons for function settings.



#### 1. Power failure/High temperature / error warning indicator

This indicator (1) illuminates during power failure, high temperature failures and error warnings. During sustained power failures, the highest temperature that the freezer compartment reaches will flash on the digital display. After checking the food located in the freezer compartment (2) press the alarm off button to clear the warning.

#### 2. Energy saving function (display off):

If the product doors are kept closed for a long time energy saving function is automatically activated and energy saving symbol is illuminated. (3)

When energy saving function is activated, all symbols on the display other than energy saving symbol will turn off. When the Energy Saving function is activated, if any button is pressed or the door is opened, energy saving function will be canceled and the symbols on display will return to normal.

Energy saving function is activated during delivery from factory and cannot be canceled.

#### 3.Quick fridge function

The button has two functions. To activate or deactivate the quick cool function press it briefly. Quick Cool indicator will turn off and the product will return to its normal settings. (4)

- |  |                                                                                                                                                                                                                       |
|--|-----------------------------------------------------------------------------------------------------------------------------------------------------------------------------------------------------------------------|
|  | Use quick cooling function when you want to quickly cool the food placed in the fridge compartment. If you want to cool large amounts of fresh food, activate this function before putting the food into the product. |
|  | If you do not cancel it, quick cooling will cancel itself automatically after 8 hours or when the fridge compartment reaches to the required temperature.                                                             |

### May not be available in all models



**\*Optional:** The figures in this user guide are intended as drafts and may not perfectly match your product. If your product does not comprise the relevant parts, the information pertains to other models.

## Using the product



If you press the quick cooling button repeatedly with short intervals, the electronic circuit protection will be activated and the compressor will not start up immediately.



This function is not recalled when power restores after a power failure.

### 4. Fridge compartment temperature setting button

Press this button to set the temperature of the fridge compartment to 8, 7,6, 5,4,3, 2, 8... respectively. Press this button to set the fridge compartment temperature to the desired value.

### 5. Vacation Function

In order to activate vacation function, press the this button for 3 seconds, and the vacation mode indicator will be activated. When the vacation function is activated, “- -” is displayed on the fridge compartment temperature indicator and no active cooling is performed on the fridge compartment. It is not suitable to keep the food in the fridge compartment when this function is activated. Other compartments shall be continued to be cooled as per their set temperature.

To cancel this function press **Vacation function** button again.

### 6. Alarm off warning:

In case of power failure/high temperature alarm, after checking the food located in the freezer compartment press the alarm off button to clear the warning.

### 7. Key lock

Press key lock button simultaneously for 3 seconds. Key lock symbol will light up and key lock mode will be activated. Buttons will not function if the Key lock mode is active. Press key lock button simultaneously for 3 seconds again. Key lock symbol will turn off and the key lock mode will be exited.

Press the **key lock** button if you want to prevent changing of the temperature setting of the refrigerator ().

### 8. Eco fuzzy

Press and hold eco fuzzy button for 1 seconds to activate eco fuzzy function. Refrigerator will start operating in the most economic mode at least 6 hours later and the economic usage indicator will turn on when the function is active (). Press and hold eco fuzzy function button for 3 seconds to deactivate eco fuzzy function.

This indicator is illuminated after 6 hours when eco fuzzy is activated.

### 9. Freezer compartment temperature setting button

Press this button to set the temperature of the freezer compartment to -18,-19,-20,-21, -22, -23,-24, -18... respectively. Press this button to set the freezer compartment temperature to the desired value.

### 10. Icematic off indicator

Indicates whether the icematic is on or off. If On, then the icematic is not operating. To operate the icematic again press and hold the On-Off button for 3 seconds.



Water flow from water tank will stop when this function is selected. However, ice made previously can be taken from the icematic.

### 11. Quick freeze function button/ icematic on-off button

Press this button to activate or deactivate the quick freezing function. When you activate the function, the freezer compartment will be cooled to a temperature lower than the set value.

To turn on and off the icematic press and hold it for 3 seconds.

## Using the product



Use the quick freeze function when you want to quickly freeze the food placed in fridge compartment. If you want to freeze large amounts of fresh food, activate this function before putting the food into the product.



If you do not cancel it, Quick Freeze will cancel itself automatically after 4 hours or when the fridge compartment reaches to the required temperature.



This function is not recalled when power restores after a power failure.

### 12. Economic usage indicator

Indicates that the product is running in energy-efficient mode. **(eco)** This indicator will be active if the Freezer Compartment temperature is set to -18 or the energy efficient cooling is being performed due to Eco-Extra function.



Economic usage indicator is turned off when quick cooling or quick freeze functions are selected.

### 5.10. Ice bucket

#### \*optional

- Take the ice bucket from the freezer compartment.
- Fill the ice bucket with water.
- Place the ice bucket into the freezer compartment.
- The ice will be ready after approximately two hours. Take the ice bucket from the freezer compartment and bend in slightly over the holder that you are going to serve. Ice will easily pour into the serving holder.

### 5.11. Eggholder

You can put the eggholder on the door or body rack of your choice. If you decide to put it on the body rack, it is recommended to prefer the shelves below as they are colder.

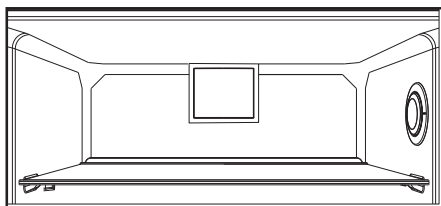


Do not put the eggholder into the freezer compartment.

### 5.12. Fan

Fan was designed to distribute circulate the cold air inside your refrigerator homogeneously. Operating time of the fan might vary depending the features of your product.

While in some products fan only operates with compressor, in others control system determines the operating time based on the need for cooling.



### 5.13. Vegetable bin

#### \*optional

Product's vegetable bin is designed to keep vegetables fresh by preserving humidity. For this purpose, the overall cold air circulation is intensified in the vegetable bin.

### 5.14. Zero degree compartment

#### \*optional

Use this compartment to keep delicatessen at lower temperatures or meat products for immediate consumption.

Zero degree compartment is the coolest place where foods such as dairy products, meat, fish and chicken can be stored in ideal storage conditions. Vegetables and/or fruits should not be stored in this compartment.

## Using the product

### 5.15. Moving door rack

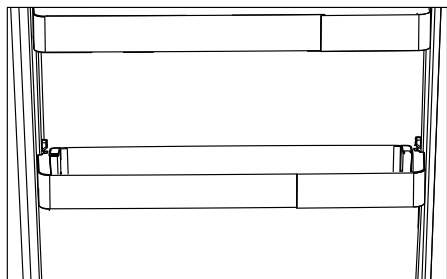
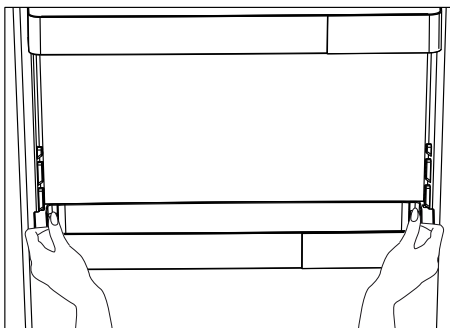
#### \*optional

Moving door rack can be fixed in 3 different positions.

In order to move the rack, push the buttons on the side evenly. Rack will be movable.

Move the rack up or down.

When the rack is in the position that you want, release the buttons. Rack will be fixed again in the position where you have released the buttons.

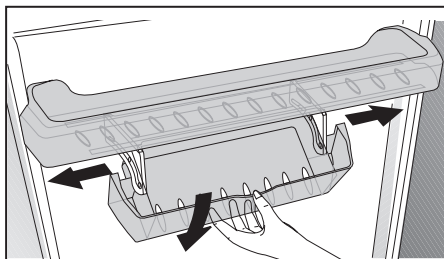


### 5.16. Sliding storage box

#### \*optional

This accessory has been designed to increase the usage volume of the door racks.

Thanks to its ability to move sideways, it enables you to easily place long bottle, jar or boxes that you put in the bottle rack below.



## Using the product

### 5.17. Moisture controlled vegetable bin

#### \*optional

With moisture control feature, moisture rates of vegetables and fruits are kept under control and ensures a longer freshness period for foods.

It is recommended to store leafed vegetables such as lettuce and spinach and similar vegetables prone to moisture loss not on their roots but in horizontal position into the vegetable bin as much as possible.

When placing the vegetables, place heavy and hard vegetables at the bottom and light and soft ones on the top, taking into account the specific weights of vegetables.

Do not leave vegetables in the vegetable bin in plastic bags. Leaving them in plastic bags causes vegetables to rot in a short time. In situations where contact with other vegetables is not preferred, use packaging materials such as paper that has a certain porosity in terms of hygiene.

Do not put fruits that have a high ethylene gas production such as pear, apricot, peach and particularly apple in the same vegetable bin with other vegetables and fruits. The ethylene gas coming out of these fruits might cause other vegetables and fruits to mature faster and rot in a shorter period of time.

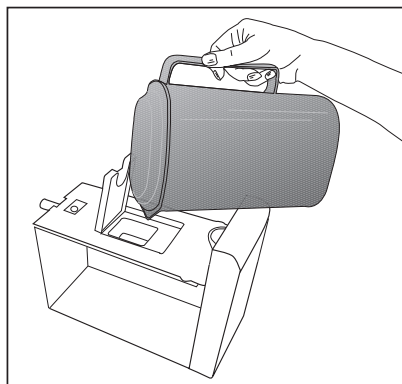
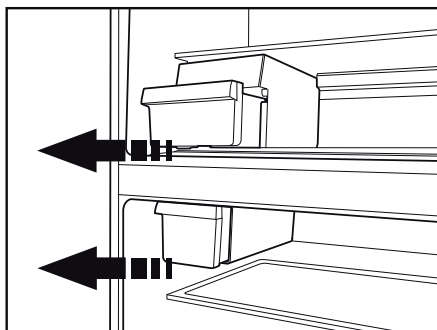
### 5.18. Automatic ice machine

#### \*optional

Automatic ice machine enables you to easily make ice in your refrigerator. In order to obtain ice from the ice machine, take out the water tank in the cooler compartment, fill it with water and fix it back. First ice will be ready in about 2 hours in the ice machine drawer in the cooler compartment. After placing the full water tank, you can obtain about 60-70 cubes of ice until it is fully empty. If the water in the tank has waited for 2-3 weeks, it should be changed.



In products with automatic ice machine, you might hear a sound when pouring the ice. This sound is normal and is not a sign of failure.



## Using the product

### 5.19. Icematic and ice storage container

**\*optional**

#### Using the Icematic

Fill the Icematic with water and place it into its seat. Your ice will be ready approximately in two hours. Do not remove the Icematic from its seating to take ice. Turn the knobs on the ice reservoirs clockwise by 90 degrees.

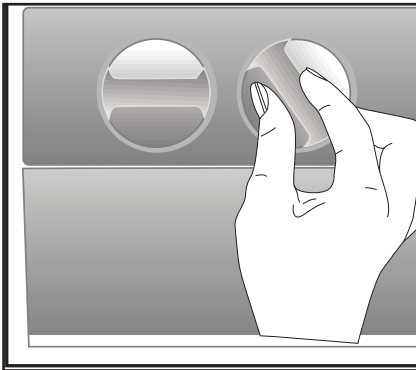
Ice cubes in the reservoirs will fall down into the ice storage container below.

You may take out the ice storage container and serve the ice cubes.

If you wish, you may keep the ice cubes in the ice storage container.

#### Ice storage container

Ice storage container is only intended for accumulating the ice cubes. Do not put water in it. Otherwise, it will break.



### 5.20. Using the water dispenser

**\*optional**

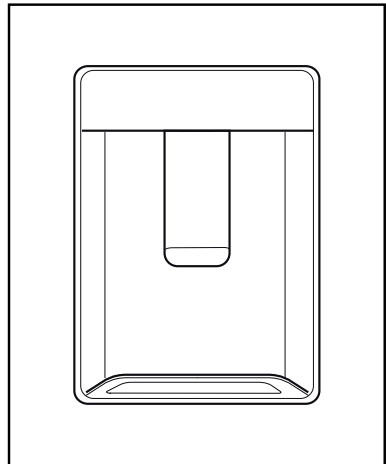


It is normal for the first few glasses of water taken from the dispenser to be warm.



If the water dispenser is not used for a long period of time, dispose of first few glasses of water to obtain fresh water.

1. Push in the lever of the water dispenser with your glass. If you are using a soft plastic cup, pushing the lever with your hand will be easier.
2. After filling the cup up to the level you want, release the lever.



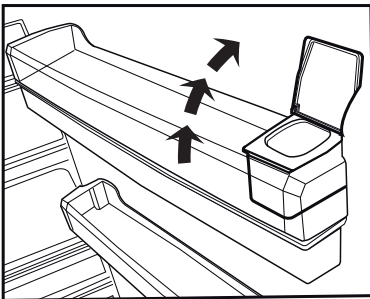
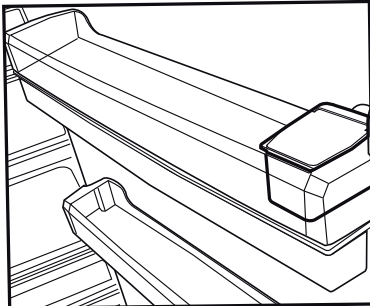
Please note, how much water flows from the dispenser depends on how far you depress the lever. As the level of water in your cup / glass rises, gently reduce the amount of pressure on the lever to avoid overflow. If you slightly press the arm, the water will drip; this is quite normal and not a failure.

## Using the product

### 5.21. Filling the water dispenser's tank

Water tank filling reservoir is located inside the door rack.

1. Open the cover of the tank.
2. Fill the tank with fresh drinking water.
3. Close the cover.



Do not fill the water tank with any other liquid except for water such as fruit juices, carbonated beverages or alcoholic drinks which are not suitable to use in the water dispenser. Water dispenser will be irreparably damaged if these kinds of liquids are used. Warranty does not cover such usages. Some chemical substances and additives contained in these kinds of drinks/liquids may damage the water tank.



Use clean drinking water only.



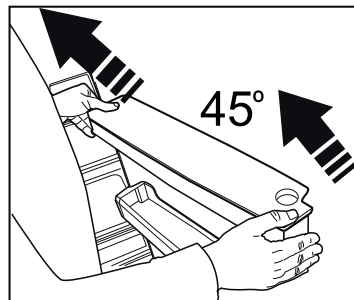
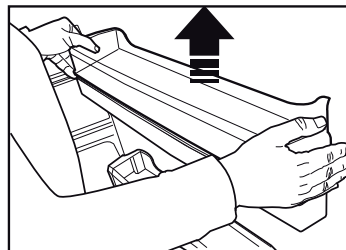
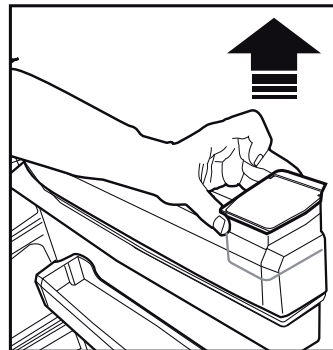
Capacity of the water tank is 3 litres; do not overfill.

### 5.22. Cleaning the water tank

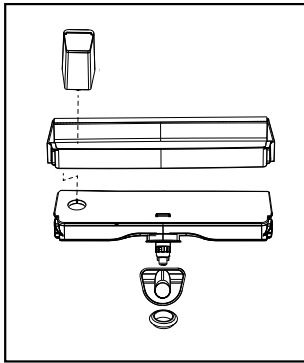
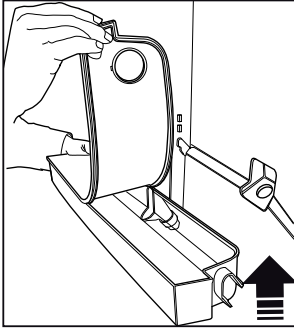
1. Remove the water filling reservoir inside the door rack.
2. Remove the door rack by holding from both sides.
3. Grab the water tank from both sides and remove it with an angle of 45°C.
4. Remove the cover of the water tank and clean the tank.



Components of the water tank and water dispenser should not be washed in dishwasher.



## Using the product

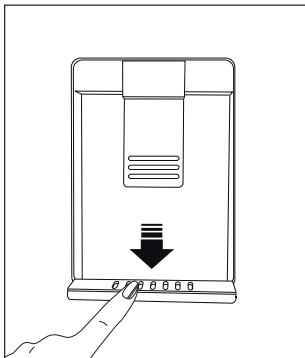


### 5.23. Drip tray

Water that dripped while using the water dispenser accumulates in the spillage tray.

Remove the plastic filter as shown in the figure.

With a clean and dry cloth, remove the water that has accumulated.



### 5.24. HerbBox/HerbFresh

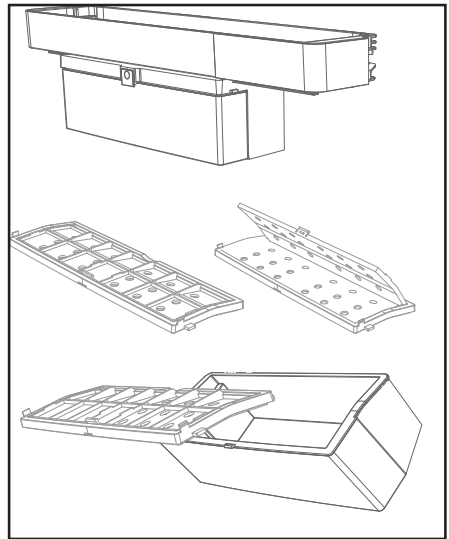
Remove the film container from HerbBox/HerbFresh+

Take the film out of the bag and put it into the film container as shown in the image.

Seal the container again and replace it into HerbBox/HerbFresh+ unit.

HerbBox-HerbFresh+ sections are especially ideal for storage of various herbs that are supposed to be kept in delicate conditions. You can store your unbagged herbs (parsley, dill, etc.) in this section horizontally and keep them fresh for a much longer period.

The film shall be replaced in every six months.





## Using the product

### 5.25. Freezing fresh food

- To preserve food quality, the food items placed in the freezer compartment must be frozen as quickly as possible, use the rapid freezing for this.
- Freezing the food items when fresh will extend the storage time in the freezer compartment.
- Pack the food items in air-tight packs and seal tightly.
- Make sure the food items are packed before putting in the freezer. Use freezer holders, tinfoil and damp-proof paper, plastic bag or similar packaging materials instead of traditional packaging paper.



Ice in the freezing compartment thaws automatically.

- Mark each food pack by writing the date on the package before freezing. This will allow you to determine the freshness of each pack every time the freezer is opened. Keep the earlier food items in the front to ensure they are used first.

- Frozen food items must be used immediately after defrosting and should not be frozen again.
- Do not freeze large quantities of food at once.

### 5.26. Recommendations for storing frozen foods

The compartment must be set to at least  $-18^{\circ}\text{C}$ .

1. Place the food items in the freezer as quickly as possible to avoid defrosting.
2. Before freezing, check the "Expiry Date" on the package to make sure it is not expired.
3. Make sure the food's packaging is not damaged.

Freezer Compartment Temperature Setting	Cooler Compartment Temperature Setting	Details
$-18^{\circ}\text{C}$	$4^{\circ}\text{C}$	This is the default, recommended setting.
$-20, -22$ or $-24^{\circ}\text{C}$	$4^{\circ}\text{C}$	These settings are recommended for ambient temperatures exceeding $30^{\circ}\text{C}$ .
Quick Freeze	$4^{\circ}\text{C}$	Use when you want to freeze your food in a short time. When the process ends, the product will regain its position.
$-18^{\circ}\text{C}$ or colder	$2^{\circ}\text{C}$	Use these settings if you believe the cooler compartment is not cold enough due to ambient temperature or frequently opening the door.

## Using the product

### 5.27. Deep freezer details

As per the IEC 62552 standards, the freezer must have the capacity to freeze 4,5 kg of food items at -18°C or lower temperatures in 24 hours for each 100 litres of freezer compartment volume.

Food items can only be preserved for extended periods at or below temperature of -18°C .

You can keep the foods fresh for months (in deep freezer at or below temperatures of 18°C).

The food items to be frozen must not contact the already-frozen food inside to avoid partial defrosting.

Boil the vegetables and filter the water to extend the frozen storage time. Place the food in air-tight packages after filtering and place in the freezer.

Bananas, tomatoes, lettuce, celery, boiled eggs, potatoes and similar food items should not be frozen. In case this food rots, only nutritional values and eating qualities will be negatively affected. A rotting threatening human health is not in question.

### 5.28. Placing the food

Freezer compartment shelves	Various frozen goods including meat, fish, ice cream, vegetables etc.
Cooler compartment shelves	Food items inside pots, capped plate and capped cases, eggs (in capped case)
Cooler compartment door shelves	Small and packed food or beverages
Vegetable bin	Fruits and vegetables
Fresh food compartment	Delicatessen (breakfast food, meat products to be consumed in short notice)

### 5.29. Door open alert

#### (Optional)

An audible alert will be heard if the product's door remains open for at least 1 minute. The audible alert will stop when the door is closed or any button on the display (if available) is pressed.

Door open alert is indicated to the user both audibly and visually. Interior lighting will turn off if the warning continues for 10 min.

### 5.30. Changing the opening direction of the door

You can change the direction of opening of your refrigerator depending on the location where you use it. When you need this, consult the closest Authorized Service.

The explanation above is a general statement. You should check the warning tag located inside the product package about the changeability of direction of the door.

### 5.31. Interior light

Interior light uses a LED type lamp. Contact the authorized service for any problems with this lamp. Lamp(s) used in this appliance cannot be used for house lighting. Intended use of this lamp is to help the user place food into the refrigerator / freezer safely and comfortably.

Service life of the product will extend and frequently encountered problems will decrease if the product is cleaned periodically.



**WARNING:** Switch off the product before cleaning.



**WARNING:** It is recommended to clean the condenser every six months using gloves. You must not use vacuum cleaners.

- Never use gasoline, benzene or similar substances for cleaning purposes.
- Never use any sharp abrasive instruments, soap, household cleaners, detergent or wax polish for cleaning.
- Dissolve one teaspoon of carbonate in half liter of water. Soak a cloth in the solution and wring it thoroughly. Wipe the interior of the refrigerator with this cloth and the dry thoroughly.
- Make sure that no water enters the lamp housing or other electrical parts.
- If you will not use the refrigerator for a long time, unplug it, remove all food inside, clean it and leave the door ajar.
- Check regularly that the door gaskets are clean. If not, clean them.
- Take out all items in the product to remove the door and body shelves.
- Remove the door shelves by pulling them up. Slide the shelves downwards to re-install them after cleaning.
- Never use chloric cleaning agents or water to clean outer surfaces or chrome-coated parts of the product. Chlorine causes abrasion on such metal surfaces.
- For non-No Frost products, water drops and frosting up to a fingerbreadth occur on the rear wall of the Fridge compartment. Do not clean it; never apply oil or similar agents on it.
- Only use slightly damp microfiber cloths to clean the outer surface of the product. Sponges and other types of cleaning cloths may scratch the surface.

### 6.1. Avoiding Bad Odours

Materials that may cause odour are not used in the production of our refrigerators. However, odour may be emitted if foods are stored improperly or if the inner surface of the product is not cleaned as required. Please consider the following to avoid this problem:

- It is important that the refrigerator is kept clean. Food residuals, stains, etc. can cause odour. For this reason, clean your refrigerator with carbonate solved in water every 15 days. Never use detergents or soap.
- Keep your foods in closed vessels. Microorganisms emitted from vessels without a cover may cause unpleasant odours.
- Never keep expired or spoiled foods in your refrigerator.

### 6.2. Protection of plastic surfaces

Do not put liquid oils or oil-cooked meals in your refrigerator in unsealed containers as they damage the plastic surfaces of your refrigerator. If oil is spilled or smeared onto the plastic surfaces, clean and rinse the relevant part of the surface with warm water immediately.

### 6.3. Cleaning the Inner Surface

To clean the inner surfaces and all removable parts, wash them with a mild solution comprising soap, water and carbonate. Rinse and dry thoroughly. Prevent the water from contacting the lighting means and control panel.



#### ATTENTION:

Do not use vinegar, rubbing alcohol or other alcohol-based cleaning agents on any of the inner surfaces.

### 6.4. Stainless Steel Outer Surfaces

Use a stainless steel cleaning agent that is non-abrasive and apply it with a lint-free, soft cloth. For polishing, wipe the surface softly with a damp microfiber cloth and use dry wash-leather. Always follow the strands of the stainless steel.

### 6.5. Cleaning Products with Glass Doors

Remove the protection foil on the glass.

There is a coating on the surface of the glass. This coating minimises stain formation and ensures that stains and dirt are cleaned easily. Glasses that are not protected by a coating might be exposed to permanent bonding of organic or inorganic, air or waterborne pollutants such as limescale, mineral salts, unburned hydrocarbons, metal oxides and silicones, which lead to stains and physical damage in a short time. Despite regular washing, the glass becomes very hard to keep clean, though not impossible. As a result, the clarity and good appearance of the glass reduces. Hard and abrasive cleaning compounds and methods increase these defects even further and accelerate the deterioration process.

\*Non-alkali, non-abrasive and water-based cleaning products must be used for routine cleaning procedures. For the coating to have long service life, alkali or abrasive substances must not be used during cleaning processes.

These glasses were subject to a tempering process to increase their impact and breakage resistance.

As an additional safety measure, there is a safety film on the back surfaces of the glasses to ensure that they will not harm the environment in case of breakage.

Please review this list before calling the service. This will save you time and money. This list contains frequently encountered problems that are not results of faulty workmanship or material use. Your product may not have some of the features described here.

### The refrigerator is not operating.

- It may not be plugged in properly. >>>Plug in the product properly.
- The fuse of the socket to which your refrigerator is connected or the main fuse may have blown. >>>Check the fuse.

### Condensation on the side wall of the fridge compartment (MULTI ZONE, COOL CONTROL and FLEXI ZONE).

- The door may have been opened/closed frequently. >>>Do not open/close the refrigerator door frequently.
- The environment may be too humid. >>>Do not install the refrigerator at locations with a very high level of humidity.
- Foods containing liquid may have been placed into the refrigerator in vessels without covers. >>>Do not place foods containing liquid into the refrigerator in unsealed vessels.
- Door of the refrigerator may have been left ajar. >>>Do not keep the doors of your refrigerator open for a long time.
- The thermostat may have been set to a very cold level. >>>Set the thermostat to an appropriate level.

### The compressor is not operating.

- Protective thermal of the compressor will blow out during sudden power failures or plug-out plug-ins as the refrigerant pressure in the cooling system of the refrigerator has not been balanced yet. The refrigerator will start running approximately after 6 minutes. Please call the Authorised Service Provider if the refrigerator does not start at the end of this period.
- The freezer is in defrosting cycle. >>>This is normal for a refrigerator that performs full-automatic defrosting. Defrosting cycle is performed periodically.
- The refrigerator may not be plugged in. >>>Make sure that the plug fits the socket.
- Temperature settings may be incorrect. >>>Select the correct temperature value.
- Possible power failure. >>>The refrigerator will start to operate normally when power restores.

### The operation noise increases when the refrigerator is running.

- Operating performance of the refrigerator may vary based on the ambient temperature changes. This is normal and not a fault.

### The fridge is running frequently or for a long time.

- Your new product may be bigger than the previous one. Larger refrigerators operate for a longer period of time.
- The room temperature may be high. >>> It is normal that the product operates for longer periods in hot environments.
- The refrigerator may have just been plugged in or loaded with food. >>>It takes the product longer to reach the set temperature when it has just been plugged in or loaded with food. This is normal.
- Large amounts of hot food may have been placed into the refrigerator recently. >>>Do not place hot foods into the refrigerator.
- The doors may have been opened frequently or left ajar for a long time. >>>The warm air that enters the refrigerator causes it to operate for a longer period of time. Do not open the doors frequently.
- Freezer or fridge compartment door may have been left ajar. >>> Check if the doors are closed completely.
- The appliance may be set to a very low temperature. >>> Set the refrigerator temperature to a warmer degree and wait until the product reaches this temperature.
- Door seal of the fridge or freezer compartment may be soiled, worn out, broken or not properly seated. >>> Clean or replace the seal. Damaged/broken seal causes the refrigerator to run for a longer period of time to maintain the current temperature.

### Fridge temperature is adequate but the freezer temperature is very low.

- The freezer compartment temperature may be set to a very low value. >>> Set the freezer compartment temperature to a higher value and check.

### Freezer temperature is adequate but the fridge temperature is very low.

- The fridge temperature is adjusted to a very low value. >>> Adjust the fridge temperature to a higher value and check.

# Troubleshooting

## Food kept in the fridge compartment drawers is frozen.

- The fridge compartment temperature may be set to a very high value. >>> Set the fridge compartment temperature to a lower value and check.

## Temperature in the fridge or freezer is very high.

- The fridge compartment temperature may be set to a very high value. >>> Fridge compartment temperature setting has an effect on the temperature of the freezer. Change the temperature of the fridge or freezer compartment until the fridge or freezer compartment temperature reaches an adequate level.
- The doors may have been opened frequently or left ajar for a long time. >>>Do not open the doors frequently.
- The door may have been left ajar. >>>Close the door completely.
- The refrigerator may have been just plugged in or loaded with food. >>>This is normal. It takes the product longer to reach the set temperature when it has just been plugged in or loaded with food.
- Large amounts of hot food may have been placed into the refrigerator recently. >>>Do not place hot foods into the refrigerator.

## Vibration or noise.

- The floor may not be stable or level. >>>If the refrigerator shakes when moved slightly, adjust the feet to balance it. Make sure that the floor is level and capable of carrying the refrigerator.
- Objects placed onto the refrigerator may cause noise. >>>Remove the objects on the refrigerator.

## There are noises coming from the refrigerator like liquid spilling or spraying.

- Liquid and gas flows occur in accordance with the operating principles of the refrigerator. >>>This is normal and not a fault.

## Whistle is heard from the refrigerator.

- There are fans that are used to cool the refrigerator. This is normal and not a fault.

## Damp accumulates on the inner walls of refrigerator.

- Hot and humid weather increases icing and condensation. This is normal and not a fault.
- The doors may have been opened frequently or left ajar for a long time. >>>Do not open the doors frequently. Close the doors, if open.
- The door may have been left ajar. >>>Close the door completely.

## Humidity occurs on the outer surface of the refrigerator or between the doors.

- Air might be humid. This is quite normal in humid weathers. >>>Condensation will disappear when the humidity level decreases.
- There might be external condensation at the section between two doors of the refrigerator if you use your product rarely. This is normal. Condensation will disappear upon frequent use.

## There is a bad odour inside the refrigerator.

- No regular cleaning may have been performed. Clean the inside of the refrigerator with a sponge, lukewarm water or carbonated water.
- Some vessels or packaging materials may cause the odour. >>>Use another vessel, or packaging materials from another brand.
- Foods may have been placed into the refrigerator in vessels without covers. >>>Store the foods in closed vessels. Microorganisms emitted from vessels without a cover may cause unpleasant odours.
- Take out expired or spoiled foods from the refrigerator.

## The door cannot be closed.

- Food packages may be preventing the door from closing. >>> Re-locate the packages that are obstructing the door.
- The refrigerator may be unstable on the floor. >>>Adjust the refrigerator feet as required to keep the refrigerator in balance.
- The floor may not be level or solid. >>>Make sure that the floor is level and capable of carrying the refrigerator.

## Crispers are stuck.

- Foods may be touching the upper wall of the crisper. >>>Re-organise the foods in the crisper.

## If The Surface Of The Product Is Hot.

High temperatures may be observed between the two doors, on the side panels and at the rear grill while the product is operating. This is normal and does not require service maintenance!

## Fan keeps running when the door is open.

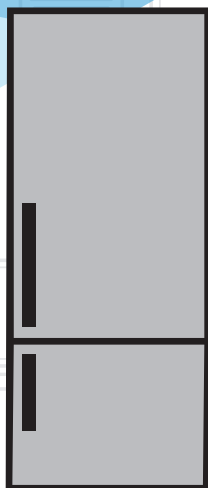
The fan may keep running when the door of the freezer is open.



**WARNING:** If you cannot eliminate the problem although you follow the instructions in this section, consult your dealer or the Authorised Service Provider. Never attempt to repair a malfunctioned product.

# Gefrierschrank

# Bedienungsanleitung



DE |

**beko**

## Bitte lesen Sie vor Inbetriebnahme des Gerätes diese Anleitung!

Sehr geschätzte Kundin, sehr geschätzter Kunde,





wir hoffen, dass Sie mit Ihrem Produkt, das sorgfältig in modernen Anlagen hergestellt und mit detaillierten Qualitätsprüfungen getestet wurde, optimale Ergebnisse erzielen.

Daher empfehlen wir Ihnen, diese Bedienungsanleitung vor Inbetriebnahme des Produktes aufmerksam zu lesen. Falls Sie das Gerät an jemand anderen weitergeben, vergessen Sie nicht, diese Bedienungsanleitung ebenfalls beizulegen.

## Die Anleitung hilft Ihnen, Ihr Gerät schnell und sicher zu bedienen.

- Bitte lesen Sie die Bedienungsanleitung aufmerksam, bevor Sie das Produkt aufstellen und bedienen.
- Halten Sie stets die zutreffenden Sicherheitshinweise ein.
- Bewahren Sie die Bedienungsanleitung zum künftigen Nachschlagen an einem leicht zugänglichen Ort auf.
- Bitte lesen Sie alle anderen mit dem Produkt bereitgestellten Dokumente.

Beachten Sie, dass diese Bedienungsanleitung auf verschiedene Produktmodelle zutreffen kann. Diese Anleitung weist ausdrücklich auf Unterschiede zwischen verschiedenen Modellen hin.

	Wichtige Informationen und nützliche Hinweise.
	Gefahr von Verletzungen und Sachschäden.
	Stromschlaggefahr.
	Die Verpackungsmaterialien des Gerätes wurden gemäß nationalen Umweltschutzbestimmungen aus recyclingfähigen Materialien hergestellt.



## **1 Wichtige Hinweise zu Sicherheit und Umwelt 3**

1.1. Allgemeine Hinweise zu Ihrer Sicherheit . . . . .	3
1.1.1 Kohlenwasserstoff-Warnung . . . . .	5
1.1.2 Bei Produkten mit Wasserspender/Eisbereiter . . . . .	6
1.2. Bestimmungsgemäßer Einsatz . . . . .	6
1.3. Sicherheit von Kindern . . . . .	6
1.4. Erfüllung der WEEE-Vorgaben zur Entsorgung von Altgeräten: . . . . .	7
1.5. Einhaltung von RoHS-Vorgaben: . . . . .	7
1.6. Verpackungsinformationen . . . . .	7

## **2 Ihr Kühlschrank 8**

### **3 Installation 9**

3.1. Der richtige Aufstellungsort. . . . .	9
3.2. Kunststoffkeile anbringen . . . . .	9
3.3. Füße einstellen. . . . .	9
3.4. Stromanschluss . . . . .	9
3.5. Türanschlag umkehren . . . . .	10
3.6. Türanschlag umkehren . . . . .	11

### **4 Vorbereitungen 12**

4.1. Maßnahmen zum Energiesparen . . . . .	12
4.2. Erste Inbetriebnahme . . . . .	12

### **5 Produkt verwenden 13**

5.1. Temperatureinstelltaste. . . . .	13
5.2. Schnellgefrieren . . . . .	13
5.3. Urlaubsfunktion . . . . .	13
5.4. Thermostateinstelltaste. . . . .	15
5.5. Abtauen. . . . .	15
5.6. Anzeigefeld . . . . .	16
5.7. Anzeigefeld . . . . .	18
5.8. Anzeigefeld . . . . .	21
5.9. Eisbehälter. . . . .	24

5.10.Eierhalter . . . . .	24
5.11.Lüfter. . . . .	24
5.12. Gemüsefach . . . . .	24
5.13.0-Grad-Fach . . . . .	24
5.14.Bewegliche Türablage. . . . .	24
5.15.Verschiebbarer Vorratsbehälter . . . . .	25
5.16.HerbBox/HerbFresh . . . . .	25
5.17.Feuchtigkeitskontrolliertes Gemüsefach. . . . .	26
5.18.Automatischer Eisbereiter . . . . .	26
5.19.Eisbereiter und Eisbehälter . . . . .	27
5.20.Wasserspender . . . . .	28
5.21.So benutzen Sie den Wasserspender. . . . .	28
5.22.Wassertank reinigen . . . . .	28
5.23.Tropfschale . . . . .	30
5.24.Frische Lebensmittel tiefkühlen. . . . .	31
5.25.Empfehlungen zur Lagerung gefrorener Lebensmittel. . . . .	31
5.26.Hinweise zum Tiefkühlbereich . . . . .	31
5.27.Lebensmittel einlagern . . . . .	32
5.28.Tür-offen-Alarm . . . . .	32
5.29.Wechseln des Türanschlags . . . . .	32
5.30.Innenbeleuchtung. . . . .	32

### **6 Wartung und Reinigung 33**

6.1. Unangenehme Gerüche verhindern . . . . .	33
6.2. Kunststoffflächen schützen . . . . .	33
6.3. Innenfläche reinigen . . . . .	33

### **6 Reinigung und Pflege 34**

6.4. Edelstahl-Außenflächen . . . . .	34
6.5. Produkte mit Glastüren reinigen . . . . .	34

### **7 Problemlösung 35**

# 1 Wichtige Hinweise zu Sicherheit und Umwelt

Dieses Kapitel enthält Sicherheitshinweise, die Ihnen dabei helfen, die Gefahr von Verletzungen oder Sachschäden zu verhindern. Bei Nichtbeachtung dieser Anweisungen erlöschen sämtliche Gewährleistungen.

## Bestimmungsgemäßer Einsatz

### ACHTUNG:

Stellen Sie sicher, dass die Entlüftungsöffnungen am Aufstellort des Gerätes nicht blockiert sind.

### ACHTUNG:

Um den Auftauvorgang zu beschleunigen, keine anderen mechanischen Geräte oder Geräte verwenden, die nicht vom Hersteller empfohlen sind.

### ACHTUNG:

Dem Kühlmittelkreislauf keine Schäden zufügen.

### ACHTUNG:

In den Lebensmittelaufbewahrungsfächern keine Geräte verwenden, die nicht vom Hersteller empfohlen sind.

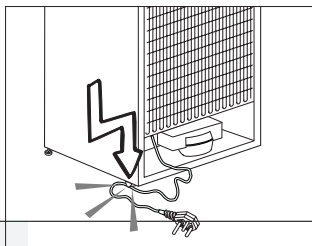


Dieses Gerät ist für die private Nutzung oder für den Gebrauch bei folgenden ähnliche Anwendungen konzipiert worden

- In Personalküchen in Geschäften, Büros und anderen Arbeitsumgebungen;
- In Bauernhöfen, Hotels, Motels und anderen Unterkünften, für den Gebrauch der Kunden;
- Umgebungen mit Übernachtung und Frühstück;
- Bei Catering und ähnliche Non-Retail-Anwendungen.

## 1.1. Allgemeine Hinweise zu Ihrer Sicherheit

- Personen mit körperlichen, sensorischen oder geistigen Behinderungen, oder die sich mit dem Gerät nicht auskennen, sollten es nicht nutzen. Kinder sollten nicht daran spielen oder hineinklettern.
- Die Nichteinhaltung der Anweisungen zum Gerät oder eine unkontrollierte Nutzung dieses könnte zu gefährlichen Situationen führen!
- Ziehen Sie den Netzstecker, falls während der Benutzung eine Störung auftritt.
- Falls das Produkt nicht richtig funktioniert, darf es erst nach Reparatur durch einen autorisierten Serviceanbieter in Betrieb genommen werden. Stromschlaggefahr!
- Schließen Sie das Gerät an eine geerdete Steckdose an, die mit einer Sicherung, die dem Wert auf dem Typenschild entspricht, ausgestattet ist. Lassen Sie das Produkt von einem qualifizierten Elektriker erden. Unser Unternehmen übernimmt keine Verantwortung für Schäden aufgrund einer nicht gemäß den örtlichen Bestimmungen geerdeten Steckdose.
- Ziehen Sie den Netzstecker, wenn Sie das Gerät nicht nutzen.
- Lassen Sie niemals Wasser direkt auf das Gerät gelangen; auch nicht zum Reinigen! Stromschlaggefahr!
- Berühren Sie den Netzstecker niemals mit feuchten oder gar nassen Händen!
- Trennen Sie das Gerät niemals durch Ziehen am Kabel vom Stromnetz. Greifen Sie beim Ziehen immer am Stecker.



## Hinweise zu Sicherheit und Umwelt

- Schließen Sie den Kühlschrank nicht an lose Steckdosen an.
- Verbinden Sie Ihren Kühlschrank nie mit Energiesparvorrichtungen. Solche Systeme können dem Gerät schaden.
- Sorgen Sie dafür, dass das Gerät bei Installation, Pflege, Reinigung und Reparaturen komplett vom Stromnetz getrennt wird.
- Überlassen Sie die Produktaufstellung und den elektrischen Anschluss immer einem **autorisierten Serviceanbieter**. Der Hersteller übernimmt keine Verantwortung für Schäden, die durch von nicht autorisierten Personen ausgeführten Arbeitsschritten verursacht werden.
- Verzehren Sie Speiseeis und Eiswürfel nicht unmittelbar nach der Entnahme aus dem Tiefkühlbereich! Andernfalls kann es zu Erfrierungen an den Lippen kommen.
- Berühren Sie gefrorene Lebensmittel nicht mit feuchten Händen! Die Lebensmittel können an den Händen festfrieren!
- Bewahren Sie Getränke in Flaschen und Dosen niemals im Tiefkühlbereich auf. Sie können platzen!
- Verwenden Sie zum Reinigen oder Abtauen des Kühlschranks niemals Dampf oder Dampfreiniger. Wenn Dampf mit spannungsführenden Teilen in Ihrem Kühlschrank in Berührung kommt, drohen Kurzschlüsse und Stromschläge!
- Nutzen Sie keine mechanischen oder anderen Hilfsmittel, um das Gerät abzutauen – es sei denn, solche Hilfsmittel werden ausdrücklich vom Hersteller empfohlen.
- Missbrauchen Sie niemals Teile Ihres Kühlschranks (z. B. Tür oder Schubladen) als Befestigungen oder Kletterhilfen. Mit anderen Worten: Stellen Sie sich niemals auf Teile Ihres Kühlschranks, hängen Sie sich nicht daran. Dies gilt natürlich auch für Kinder. Andernfalls kann das Gerät umkippen und beschädigt werden.
- Achten Sie darauf, den Kühlkreislauf keinesfalls mit Bohr- oder Schneidwerkzeugen zu beschädigen. Das Kühlmittel kann herauspritzen, wenn die Gaskanäle des Verdunsters, Rohr- und Schlauchleitungen oder Oberflächenversiegelungen beschädigt werden. Dies kann zu Hautreizungen und Augenverletzungen führen.
- Decken Sie keinerlei Belüftungsöffnungen des Kühlschranks ab.
- Lagern Sie hochprozentige alkoholische Getränke gut verschlossen und aufrecht.
- Benutzen Sie keine Sprays in der Nähe des Gerätes; es besteht eine gewisse Brand- und Explosionsgefahr!
- Bewahren Sie in dem Gerät niemals entflammbare oder explosive Produkte auf oder solche, die entflammbare oder explosive Gase (z. B. Spray) enthalten.
- Stellen Sie keine mit Flüssigkeiten gefüllten Gegenstände auf dem Produkt ab. Falls Wasser oder andere Flüssigkeiten an elektrische

## Hinweise zu Sicherheit und Umwelt


- Teile gelangen, kann es zu Stromschlägen oder Bränden kommen.
- Bewahren Sie Gegenstände, die eine präzise Temperatureinstellung benötigen (wie Impfstoffe, hitzeempfindliche Medikamente, wissenschaftliche Materialien usw.) nicht im Kühlschrank auf.
- Ziehen Sie den Netzstecker und entnehmen Sie die Lebensmittel, falls das Produkt voraussichtlich längere Zeit nicht benutzen.
- Falls der Kühlschrank über ein blaues Licht verfügt, blicken Sie nicht mit optischen Werkzeugen in dieses Licht.
- In Bezug auf die elektrische Sicherheit besteht Gefahr, wenn das Produkt Regen, Schnee, direkter Sonneneinstrahlung und Wind ausgesetzt wird.
- Bei Geräten mit mechanischer Temperaturregelung (Thermostat) warten Sie nach Unterbrechungen der Stromversorgung grundsätzlich mindestens 5 Minuten lang ab, bevor Sie den Netzstecker wieder einstecken.
- Überladen Sie den Kühlschrank nicht. Gegenstände im Kühlschrank könnten herunterfallen und Verletzungen oder Schäden verursachen, wenn die Tür geöffnet wird. Ähnliche Probleme können auftreten, wenn ein Gegenstand auf dem Produkt platziert wird.
- Falls das Gerät einen Türgriff hat, bewegen Sie es nicht durch Ziehen am Griff. Der Griff könnte sich lockern.

- Achten Sie darauf, dass Ihre Hände sowie andere Körperteile nicht zwischen die beweglichen Teile des Kühlschranks geraten.
- Stecken Sie weder Ihre Hand noch irgendwelche Gegenstände in den Eisbereiter, während er in Betrieb ist.

### 1.1.1 Kohlenwasserstoff-Warnung

- Falls das Kühlsystem Ihres Produktes R600a enthält:

Dieses Gas ist leicht entflammbar. Achten Sie also darauf, Kühlkreislauf und Leitungen während Betrieb und Transport nicht zu beschädigen. Halten Sie das Produkt bei Schäden von möglichen Feuerquellen fern und belüften Sie den Raum, in dem das Produkt aufgestellt ist.

	Halten Sie sich vom Gas fern, falls das Produkt beschädigt ist und offensichtlich Gas austritt. Es kann bei Hautkontakt Erfrierungen verursachen. (Einschließlich R134)
	Ignorieren Sie diese Warnung, falls das Kühlsystem Ihres Produktes R134a enthält.
	Die Art des im Produkt eingesetzten Gases wird auf dem Typenschild an der linken Innenwand des Kühlschranks angegeben.
	<b>WARNUNG:</b> Entsorgen Sie das Produkt keinesfalls durch Verbrennen.

## Hinweise zu Sicherheit und Umwelt

### 1.1.2 Bei Produkten mit Wasserspender/Eisbereiter

- Der Druck für die Kaltwasserzufuhr sollte maximal 90 psi (620 kPa) betragen. Wenn der Wasserdruck in Ihrem Haushalt 80 psi (550 kPa) übersteigt, verwenden Sie bitte ein Druckbegrenzungsventil in Ihrem Leitungssystem. Sollten Sie nicht wissen, wie der Wasserdruck gemessen wird, ziehen Sie bitte einen Fachinstallateur hinzu.
- Falls die Gefahr von Wasserschlägen in Ihrer Installation besteht, nutzen Sie immer eine Wasserschlag-Präventionsausrüstung in dieser Installation. Wenden Sie sich an einen professionellen Klempner, wenn Sie nicht sicher sind, ob bei Ihrer Installation die Gefahr eines Wasserschlags besteht.
- Nehmen Sie keine Installation am Warmwasserzulauf vor.
- Nutzen Sie ausschließlich Trinkwasser.
- Schützen Sie die Schläuche mit geeigneten Maßnahmen vor Frost. Der Wassertemperaturbereich muss zwischen 0,6 und 38 °C liegen.



#### **WARNUNG:**

Schließen Sie das Produkt niemals an einen Kaltwasseranschluss mit einem Druck von 550 kPa oder mehr an.

Einsatz und darf nur für seinen bestimmungsgemäßen Einsatzzweck verwendet werden.

- Es darf nur zur Aufbewahrung von Lebensmitteln genutzt werden.
- Der Hersteller übernimmt keine Verantwortung für Schäden aufgrund von unsachgemäßem Gebrauch oder Transport.
- Originalersatzteile sind ab Kaufdatum des Produktes 10 Jahre erhältlich.

### 1.3. Sicherheit von Kindern

- Wenn Sie ein Schloss an der Gerätetür haben, sollte der Schlüssel außerhalb der Reichweite von Kindern aufbewahrt werden.
- Kinder dürfen nicht mit dem Gerät spielen.



#### **GEFAHR:**

Bevor Sie Ihr Altgerät entsorgen:

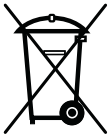
- Kinder könnten sich im Inneren des Gerätes einsperren.
- Entfernen Sie die Türen.
- Lassen Sie die Ablagen im Gerät, damit Kinder nicht so einfach in das Produkt gelangen.

### 1.2. Bestimmungsgemäßer Einsatz

- Dieses Gerät ist zur Nutzung im Haushalt vorgesehen. Es eignet sich nicht zum kommerziellen

# Hinweise zu Sicherheit und Umwelt

## 1.4. Erfüllung der WEEE-Vorgaben zur Entsorgung von Altgeräten:



Dieses Produkt erfüllt die Vorgaben der europäischen WEEE-Richtlinie (2012/19/EU). Das Gerät wurde mit einem Klassifizierungssymbol für elektrische und elektronische Altgeräte (WEEE) gekennzeichnet.

Dieses Gerät wurde aus hochwertigen Materialien hergestellt, die wiederverwendet und recycelt werden können. Entsorgen Sie das Gerät am Ende seiner Einsatzzeit daher nicht mit dem regulären Hausmüll oder anderen Abfällen. Bringen Sie das Gerät zu einer Sammelstelle zum Recycling von elektrischen und elektronischen Geräten. Ihre Stadtverwaltung informiert Sie gerne über geeignete Sammelstellen in Ihrer Nähe.

## 1.5. Einhaltung von RoHS-Vorgaben:

Das von Ihnen erworbene Gerät erfüllt die Anforderungen der europäischen RoHS-Richtlinie (2011/65/EU). Es enthält keine in der Richtlinie angegebenen gefährlichen oder unzulässigen Materialien.

## 1.6. Verpackungsinformationen

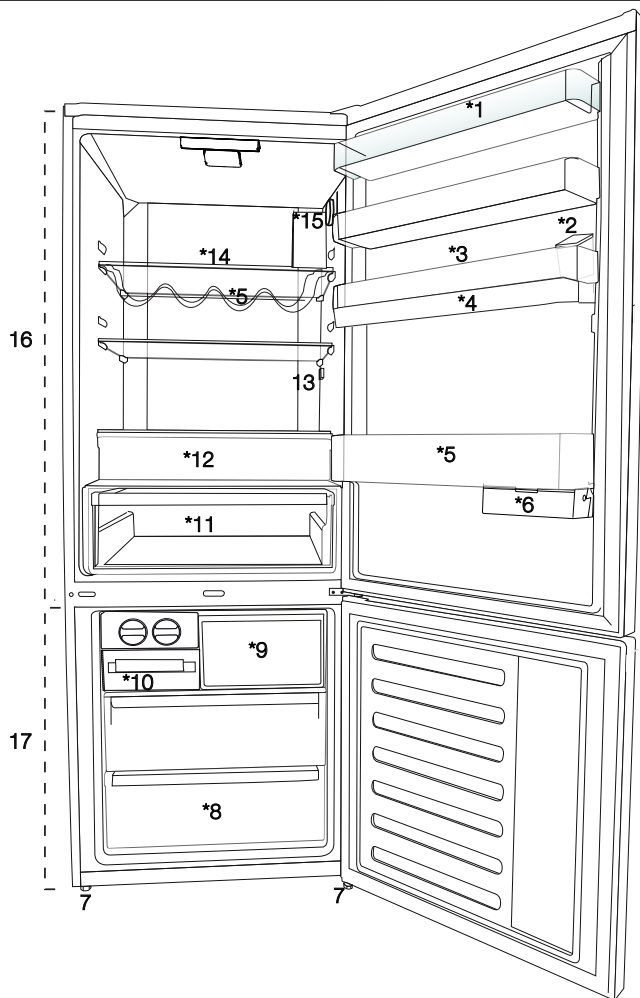
- Die Verpackungsmaterialien des Gerätes wurden gemäß nationalen Umweltschutzbestimmungen aus recyclingfähigen Materialien hergestellt. Entsorgen Sie Verpackungsmaterialien nicht mit dem normalen Hausmüll oder anderen Abfällen. Bringen Sie diese Materialien zu einer von Ihrer Stadtverwaltung vorgesehenen Recyclingstelle.

## GEFAHR:

### Brand- oder Explosionsgefahr:

- Dieses Produkt nutzt ein entflammbares Kühlmittel.
- Tauen Sie den Kühlschrank nicht mit mechanischen Geräten ab.
- Verwenden Sie zur Reinigung keine Chemikalien.
- Durchstechen Sie die Kühlmittelleitung nicht.
- Falls die Kühlmittelleitung durchstochen wird, darf sie nur von autorisiertem Servicepersonal repariert werden.
- Bitte wenden Sie sich vor der Reinigung des Produktes an die Reparatur- / Bedienungsanleitung. Alle Sicherheitshinweise müssen befolgt werden.
- Entsorgen Sie das Produkt entsprechend den staatlichen oder örtlichen Vorschriften.





1. Kühlbereich-Türablage
2. Wasserspender-Befüllung
3. Eierhalter
4. Wasserspender-Tank
5. Flaschenablage
6. Verschiebbarer Vorratsbehälter
7. Einstellbare Füße
8. Tiefkühlbereich
9. Schnellgefrierfach
10. Eisbereiter und Eisbehälter

11. Gemüsefach
12. 0-Grad-Fach
13. Innenbeleuchtung
14. Kühlbereichglasablage
15. Temperatureinstelltaste
16. Kühlbereich
17. Tiefkühlbereich




**Trifft möglicherweise nicht auf alle Modelle zu**



**\* Optional:** Die Abbildungen in dieser Anleitung dienen lediglich der Veranschaulichung und müssen nicht absolut exakt mit Ihrem Produkt übereinstimmen. Falls Ihr Produkt nicht über die entsprechenden Teile verfügt, betreffen die Informationen andere Modelle.

### 3.1. Der richtige Aufstellungsort

Wenden Sie sich zur Aufstellung des Gerätes an den autorisierten Kundendienst. Bereiten Sie das Gerät auf die Aufstellung vor, indem Sie die Informationen in der Bedienungsanleitung beachten und sicherstellen, dass Strom- und Wasseranschlüsse wie erforderlich vorhanden sind. Falls nicht, wenden Sie sich zum Nachrüsten an einen Elektriker oder Klempner.

	<b>WARNUNG:</b> Der Hersteller haftet nicht für jegliche Schäden, die durch Arbeiten entstanden sind, die nicht von autorisierten Personen durchgeführt wurden.
	<b>WARNUNG:</b> Bei der Aufstellung muss das Gerät vollständig vom Stromnetz getrennt sein. Andernfalls drohen ernsthafte oder sogar tödliche Verletzungen!
	<b>WARNUNG:</b> Falls das Gerät nicht durch die Tür passt, entfernen Sie die Gerätetür und drehen Sie das Gerät auf die Seite; falls es dennoch nicht passt, wenden Sie sich an den autorisierten Kundendienst.

- Stellen Sie das Gerät auf einem flachen Untergrund auf, damit es weder wackelt noch kippt.
- Stellen Sie das Gerät mindestens 30 cm von Heizungen, Öfen und ähnlichen Wärmequellen auf; halten Sie einen Mindestabstand von 5 cm zu elektrischen Öfen ein.
- Setzen Sie das Gerät keinem direkten Sonnenlicht und keinen feuchten Umgebungen aus.
- Damit das Gerät effizient arbeitet, ist eine angemessene Luftzirkulation erforderlich.
- Falls Sie das Gerät in einer Nische aufstellen, achten Sie darauf, dass mindestens 5 cm zur Decke und zu den Wänden frei bleiben.
- Stellen Sie das Gerät nicht in Umgebungen mit Temperaturen unter  $-5\text{ °C}$  auf.

### 3.2. Kunststoffkeile anbringen

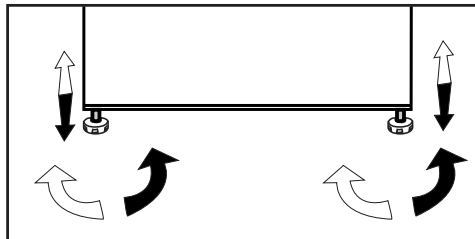
Sorgen Sie zur Gewährleistung einer angemessenen Luftzirkulation mit Hilfe der mitgelieferten Kunststoffkeile für genügend Platz zwischen dem Gerät und der Wand.

**1.** Zur Befestigung der Keile entfernen Sie die Schrauben am Produkt und verwenden die mit den Keilen gelieferten Schrauben.

**2.** Befestigen Sie die beiden Kunststoffkeile wie in der Abbildung gezeigt an der Abdeckung der Belüftungsöffnungen.

### 3.3. FüÙe einstellen


Falls das Produkt nicht exakt in Waage steht, passen Sie die vorderen einstellbaren FüÙe durch Drehen nach rechts oder links an.



### 3.4. Stromanschluss

	<b>WARNUNG:</b> Verwenden Sie keine Mehrfachsteckdosen oder Verlängerungskabel.
	<b>WARNUNG:</b> Beschädigte Netzkabel müssen vom autorisierten Kundendienst ausgetauscht werden.
	Wenn Sie zwei Kühlgeräte nebeneinander aufstellen, halten Sie einen Mindestabstand von 4 cm zwischen den Geräten ein.

- Unser Unternehmen haftet nicht für jegliche Schäden, die durch eine Inbetriebnahme ohne Erdung oder einen nicht mit nationalen Richtlinien übereinstimmenden Stromanschluss verursacht werden.
- Der Netzstecker muss nach der Installation frei zugänglich bleiben.
- Verwenden Sie zwischen Steckdose und Kühlschrank keine Mehrfachsteckdose mit oder ohne Verlängerungskabel.

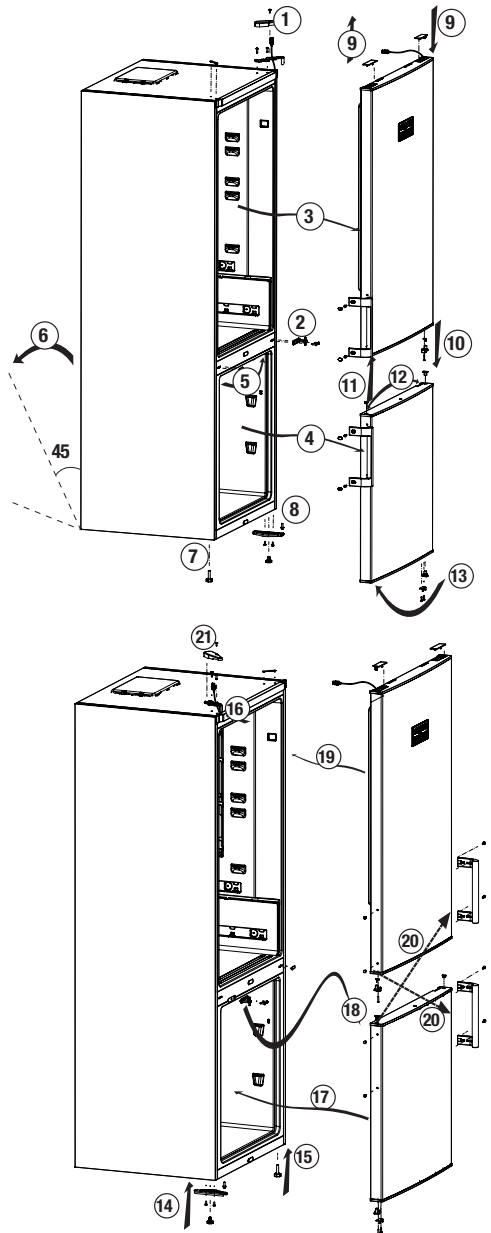
	<p><b>Achtung:</b> Warnung vor heißen Oberflächen</p> <p>Die Seitenwände Ihres Geräts sind mit Kühlmittelleitungen für ein verbessertes Kühlsystem ausgestattet. Kühlmittel mit hohen Temperaturen können in diesen Bereichen 2der Seitenwände fließen.</p> <p>Das ist normal und erfordert keinerlei Reparatur oder Wartung. Bitte seien Sie vorsichtig, wenn Sie diese Bereiche berühren.</p>
-------------------------------------------------------------------------------------	-------------------------------------------------------------------------------------------------------------------------------------------------------------------------------------------------------------------------------------------------------------------------------------------------------------------------------------------------------------------------------------------------



# Installation

## 3.5. Türanschlag umkehren

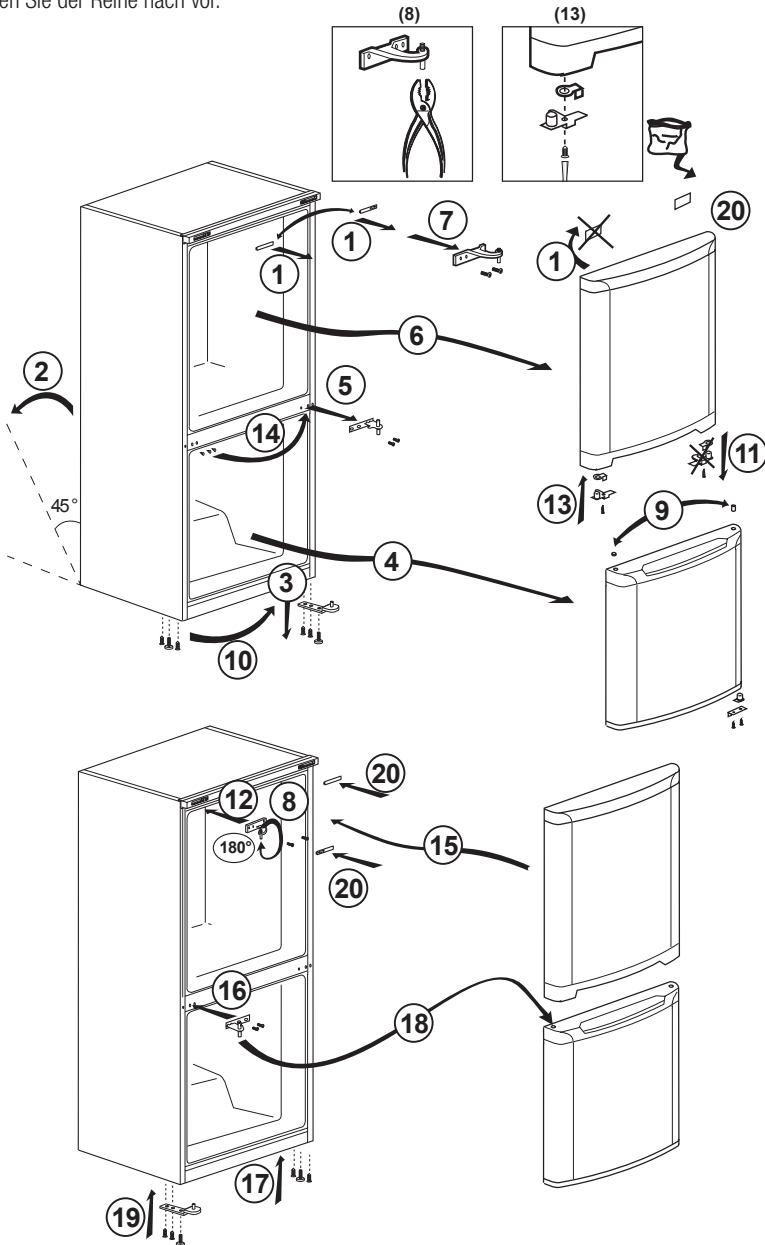
Gehen Sie der Reihe nach vor.



# Installation

## 3.6. Türanschlag umkehren

Gehen Sie der Reihe nach vor.



### 4.1. Maßnahmen zum Energiesparen



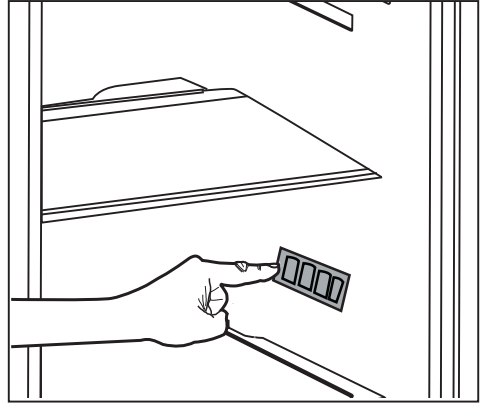
Der Anschluss des Gerätes an Energiesparsysteme birgt Risiken, da Schäden am Gerät auftreten können.

- Gerätetüren nicht längere Zeit offen stehen lassen.
- Keine warmen oder gar heißen Lebensmittel oder Getränke in den Kühlschrank geben.
- Kühlschrank nicht überladen; wird der interne Luftstrom blockiert, verringert sich die Kühlkapazität.
- Damit Sie die maximale Menge Lebensmittel im Kühlbereich Ihres Kühlschranks einlagern können, sollten Sie die oberen Schubladen herausnehmen und auf die Glasablage stellen. Der angegebene Energieverbrauch Ihres Kühlschranks wurde ohne Kühlbereich, Eisablage und obere Schubladen zur Erzielung maximalen Stauraums ermittelt. Beim Einlagern wird die Verwendung der unteren Schublade dringend empfohlen. Für optimalen Energieverbrauch sollte die Energiesparfunktion aktiviert werden.
- Platzieren Sie Lebensmittel nicht vor dem Lüfter, damit die Luftzirkulation nicht blockiert wird. Halten Sie beim Verstauen von Lebensmitteln einen Mindestabstand von 3 cm vor dem Schutzgitter des Lüfters ein.
- Je nach Produktmerkmalen können Sie durch Auftauen gefrorener Lebensmittel im Kühlbereich Energie sparen und die Qualität der Lebensmittel bewahren.
- Lebensmittel sollten zur Gewährleistung eines geringen Energieverbrauchs und zum Schutz der Lebensmittel unter besseren Bedingungen in den Schubladen im Kühlbereich verstaut werden.
- Verpackte Lebensmittel sollten den Wärmesensor im Kühlfach nicht berühren. Andernfalls kann sich der Energieverbrauch des Gerätes erhöhen.
- Achten Sie darauf, dass Lebensmittel nicht den nachstehend beschriebenen Temperatursensor im Kühlbereich berühren.

### 4.2. Erste Inbetriebnahme

Stellen Sie vor Inbetriebnahme Ihres Kühlschranks sicher, dass die erforderlichen Vorbereitungen entsprechend den Anweisungen in den Abschnitten „Hinweise zu Sicherheit und Umwelt“ und „Installation“ getroffen wurden.

- Lassen Sie den Kühlschrank etwa 6 Stunden lang leer arbeiten; verzichten Sie in dieser Zeit möglichst vollständig auf das Öffnen der Türen.



Beim Anspringen des Kompressors sind Geräusche zu hören. Es ist normal, dass das Gerät auch bei inaktivem Kompressor Geräusche macht; diese werden durch komprimierte Flüssigkeiten und Gase im Kühlsystem verursacht.



Die Vorderkanten des Kühlschranks können sich etwas erwärmen. Dies ist völlig normal. Diese Bereiche wärmen sich etwas auf, damit sich kein Kondenswasser bildet.



Bei einigen Modellen verdunkelt sich das Anzeigefeld automatisch 5 Minuten nach Schließen der Tür. Beim Öffnen der Tür oder bei Betätigung einer Taste wird es wieder aktiviert.

## 5 Produkt verwenden

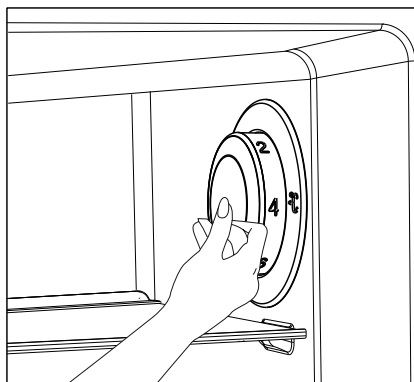
### 5.1. Temperatureinstelltaste

Die Innentemperatur Ihres Kühlschranks hängt teilweise von folgenden Einflüssen ab:


- Umgebungstemperatur
- Häufiges Öffnen der Tür, Offenstehen der Tür über längere Zeit
- Einlagern von Lebensmitteln, ohne diese zuvor auf Raumtemperatur abkühlen zu lassen.
- Platzierung des Kühlschranks innerhalb des Raumes (z. B. im direkten Sonnenlicht).
- Da die Innentemperatur aufgrund solcher Faktoren variieren kann, können Sie sie über den Temperatureinstellknopf anpassen.

Die Ziffern rund um den Einstellknopf zeigen die Temperatur in „°C“.

Falls die Umgebungstemperatur 20 °C beträgt, sollten Sie die Kühlschranktemperatur auf 4 °C anpassen. Bei anderen Umgebungstemperaturen kann dieser Wert angepasst werden.




### 5.2. Schnellgefrieren

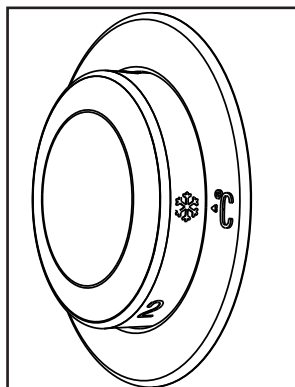
Wenn Sie große Mengen frischer Lebensmittel einfrieren möchten, stellen Sie den Temperatureinstellknopf auf die Position  ein, bevor Sie die Lebensmittel in den Tiefkühlbereich geben.

Wir empfehlen, den Knopf mindestens 24 Stunden lang in dieser Position zu belassen – so können Sie die maximale Menge an Gefriergut verarbeiten. Achten Sie vor allem darauf, gefrorene und frische Lebensmittel nicht zu vermischen.

Denken Sie daran, den Temperatureinstellknopf anschließend auf seine vorherige Position einzustellen.

### 5.3. Urlaubsfunktion

Falls die Gerätetüren (  ) mindestens 12 Stunden lang nach Anpassung des Temperatureinstellknopfs auf die höchste Position nicht geöffnet werden, wird automatisch die Urlaubsfunktion aktiviert.



**Trifft möglicherweise nicht auf alle Modelle zu**

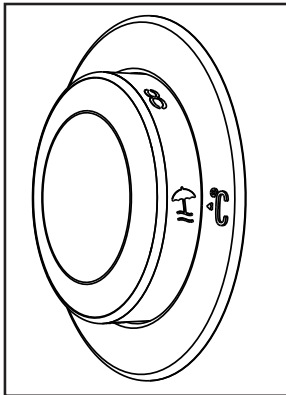


\* **Optional:** Die Abbildungen in dieser Anleitung dienen lediglich der Veranschaulichung und müssen nicht absolut exakt mit Ihrem Produkt übereinstimmen. Falls Ihr Produkt nicht über die entsprechenden Teile verfügt, betreffen die Informationen andere Modelle.

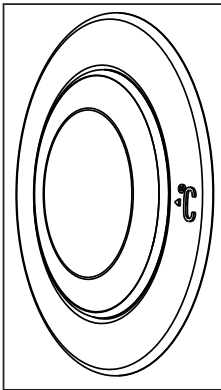
## Produkt verwenden

Zum Abbrechen der Funktion muss der Knopf auf eine andere Position eingestellt werden.

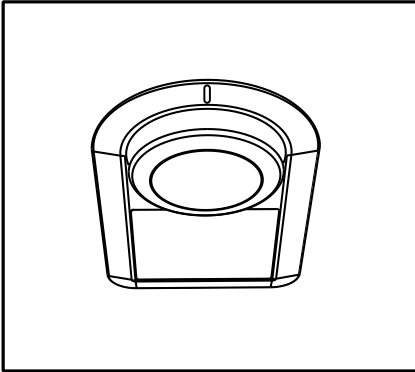
Wir raten davon ab, Lebensmittel bei aktiver Urlaubsfunktion im Kühlbereich aufzubewahren.



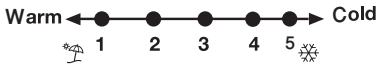
- Nach Abschluss der Einstellung können Sie den Temperatureinstellknopf durch Hineindrücken verbergen.



## Produkt verwenden



Die Betriebstemperatur wird über die Temperatursteuerung reguliert.



### 1=Schwächste Kühlung (wärmste Einstellung)

### 4=Stärkste Kühlung (kälteste Einstellung)

Die Durchschnittstemperatur im Inneren des Kühlschranks sollte bei etwa +5 °C liegen.

Bitte wählen Sie die der gewünschten Temperatur entsprechende Einstellung.

Bitte beachten Sie, dass im Kühlbereich unterschiedliche Temperaturen herrschen.

Der kälteste Bereich befindet sich unmittelbar über dem Gemüsefach.

Die Innentemperatur hängt auch von der Umgebungstemperatur ab, außerdem davon, wie oft die Tür geöffnet wird und wie viel Lebensmittel im Inneren gelagert werden.

Beim häufigen Öffnen der Tür steigt die Innentemperatur an.

Aus diesem Grund empfehlen wir, die Tür möglichst schnell wieder zu schließen.

## 5.4. Thermostateinstelltaste

Die Innentemperatur Ihres Kühlschranks hängt teilweise von folgenden Einflüssen ab:

- Umgebungstemperatur
- Häufigkeit der Türöffnungen, Offenstehen der Tür über längere Zeit

- Einlagern von Lebensmitteln, ohne diese zuvor auf Raumtemperatur abkühlen zu lassen
- Platzierung des Kühlschranks innerhalb des Raumes (z. B. im direkten Sonnenlicht).
- Zum Anpassen der Innentemperatur an solche Einflüsse benutzen Sie das Thermostat. Die Zahlen rund um die Thermostateinstelltaste zeigen die Kühlungsleistung an.
- Falls die Umgebungstemperatur mehr als 32 °C beträgt, wählen Sie die höchstmögliche Thermostateinstellung.
- Sofern die Umgebungstemperatur weniger als 25 °C beträgt, wählen Sie die geringste Thermostateinstellung.

## 5.5. Abtauen

### Kühlbereich

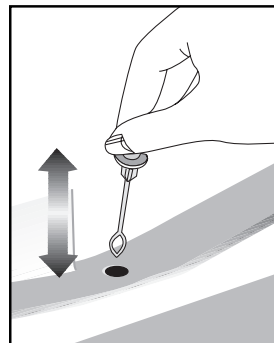
Der Kühlbereich taut vollautomatisch ab. Im Betrieb können sich Wassertropfen und eine 7 – 8 mm starke Eisschicht an der Innenwand des Kühlbereiches absetzen. Dies ist vollkommen normal und ein Nebeneffekt des Kühlungssystems. Dank des automatischen Abtausystems an der Rückwand wird das Eis in bestimmten Abständen automatisch abgetaut. Weder Eis noch Wassertropfen müssen manuell entfernt werden.

Beim Abtauen läuft das Tauwasser in die Ablaufrinne und fließt anschließend zum Verdampfer – hier verdunstet das Wasser automatisch.

Der Tiefkühlbereich wird nicht automatisch abgetaut, da es ansonsten schnell zum Verderben gefrorener Lebensmittel kommen könnte.

Der Tiefkühlbereich taut automatisch ab.

Überzeugen Sie sich regelmäßig davon, dass der Ablauf nicht verstopft ist; beseitigen Sie eventuelle Verstopfungen mit dem Stäbchen.



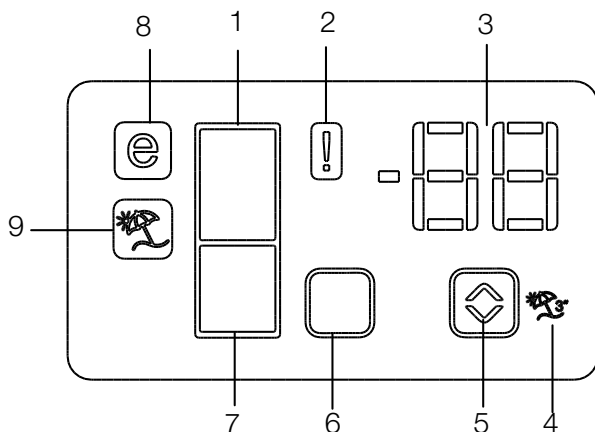
**Trifft möglicherweise nicht auf alle Modelle zu**

## Produkt verwenden

### 5.6. Anzeigefeld

Die Anzeigefelder können je nach Modell etwas anders ausfallen.

Audiovisuelle Funktionen am Anzeigefeld helfen Ihnen bei der Bedienung Ihres Gerätes.



1. Kühlbereichsanzeige
2. Fehlerstatusanzeige
3. Temperaturanzeige
4. Urlaubstaste
5. Temperatureinstelltaste
6. Kühlbereichsauswahl Taste
7. Tiefkühlbereichsanzeige
8. Energiesparmodusanzeige
9. Urlaubsfunktionanzeige

\* optional

**Trifft möglicherweise nicht auf alle Modelle zu**



\* **Optional:** Die Abbildungen in dieser Anleitung sind skizzenhaft und stimmen möglicherweise nicht exakt mit Ihrem Produkt überein. Falls Ihr Produkt nicht über die entsprechenden Teile verfügt, betreffen die Informationen andere Modelle.

## Produkt verwenden

### 1. Kühlbereichsanzeige

Die Kühlbereichsanzeige leuchtet beim Einstellen der Kühlbereichtemperatur auf.

### 2. Fehlerstatusanzeige

Falls der Kühlschrank nicht genügend kühlt oder ein Sensor ausfällt, wird diese Anzeige aktiv. Wenn diese Anzeige aktiv ist, zeigt die Tiefkühlbereichstemperaturanzeige „E“, die Kühlbereichstemperaturanzeige Zahlen an; z. B. 1, 2, 3, ... Diese Zahlen der Anzeige helfen Kundendienstmitarbeitern, einen Fehler einzugrenzen.

### 3. Temperaturanzeige

Zeigt Tiefkühl- und Kühlbereichtemperatur.

### 4. Urlaubstaste

Zum Aktivieren dieser Funktion halten Sie die Urlaubstaste 3 Sekunden lang gedrückt. Wenn die Urlaubsfunktion aktiv ist, erscheint „-“ in der Kühlbereichstemperaturanzeige; der Kühlbereich wird nun nicht mehr aktiv gekühlt. Wenn diese Funktion aktiv ist, sollten keine Lebensmittel im Kühlbereich aufbewahrt werden. Andere Bereiche werden entsprechend der eingestellten Temperatur weiterhin gekühlt.

Zum Aufheben dieser Funktion drücken Sie die

**Urlaubstaste** noch einmal.

### 5. Temperatureinstelltaste

Ändert die Temperatur des jeweiligen Bereiches zwischen -24 °C und -18 °C sowie 8 °C und 1 °C.

### 6. Kühlbereichsauswahlstaste

Auswahlstaste: Mit der Kühlbereichsauswahlstaste schalten Sie zwischen Kühlbereich und Tiefkühlbereich um.

### 7. Tiefkühlbereichsanzeige

Die Kühlbereichsanzeige leuchtet beim Einstellen der Tiefkühlbereichtemperatur auf.

### 8. Energiesparmodusanzeige

Zeigt an, dass das Kühlgerät besonders energiesparend arbeitet. Diese Anzeige wird aktiv, wenn die Tiefkühlbereichtemperatur auf -18 °C eingestellt ist.

### 9. Urlaubsfunktionanzeige

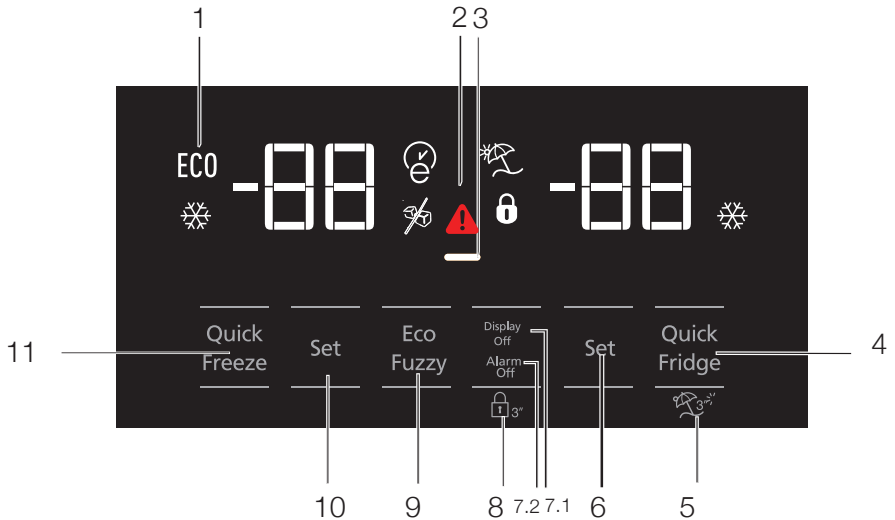
Zeigt an, dass die Urlaubsfunktion aktiv ist.



## Produkt verwenden

### 5.7. Anzeigefeld

Das Anzeigefeld ermöglicht Ihnen die Einstellung der Temperatur und die Steuerung anderer Funktionen, ohne dass Sie die Tür des Produktes öffnen müssen. Drücken Sie einfach die Beschriftungen der entsprechenden Tasten zur Funktionseinstellung.



- 1- Ökonomischer Einsatz
- 2- Hohe Temperatur / Fehleralarm
- 3- Energiesparfunktion (Display aus)
- 4- Schnellkühlen
- 5- Urlaubsfunktion
- 6- Kühlbereichtemperatureinstellung
- 7- Energiesparen (Display aus)/ Alarm-Aus-Warnung
- 8- Bedienfeldsperre
- 9- Öko-Fuzzy
- 10- Tiefkühlbereichtemperatureinstellung
- 11- Schnellgefrieren

### Trifft möglicherweise nicht auf alle Modelle zu



**\* Optional:** Die Abbildungen in dieser Anleitung dienen lediglich der Veranschaulichung und müssen nicht absolut exakt mit Ihrem Produkt übereinstimmen. Falls Ihr Produkt nicht über die entsprechenden Teile verfügt, betreffen die Informationen andere Modelle.

## Produkt verwenden

### 1. Ökonomischer Einsatz

Dieses Zeichen leuchtet auf, wenn die Temperatur des Tiefkühlbereichs auf -18 °C eingestellt ist; dies ist die ökonomischste Einstellung. (ECO) Die Öko-Anzeige erlischt, wenn Schnellkühlen oder Schnellgefrieren ausgewählt werden.

### 2. Hohe Temperatur / Fehleralarm

Diese Anzeige (⚠) leuchtet bei Temperaturfehlern oder Fehleralarmen auf.

Diese Anzeige leuchtet bei einem Stromausfall, zu hohen Innentemperaturen und sonstigen Fehler. Bei längeren Stromausfällen blinkt die höchste Temperatur, die der Tiefkühlbereich erreichen kann, in der digitalen Anzeige. Drücken Sie nach Kontrolle der Lebensmittel im Tiefkühlfach zum Aufheben des Alarms die Alarm-aus-Taste.

### 3. Energiesparfunktion (Display aus)

Falls die Gerätetüren lange Zeit geschlossen bleiben, wird die Energiesparfunktion automatisch aktiviert und das Energiesparsymbol leuchtet. Bei aktiver Energiesparfunktion erlöschen sämtliche Display-Symbole mit Ausnahme des Energiesparsymbols. Die Energiesparfunktion wird aufgehoben, sobald Tasten betätigt werden oder die Tür geöffnet wird. Das Display zeigt wieder die normalen Symbole. Die Energiesparfunktion wird während der Lieferung ab Werk aktiviert und kann nicht aufgehoben werden.

### 4. Schnellkühlen

Wenn die Schnellkühlfunktion eingeschaltet ist, leuchtet die Schnellkühlanzeige (❄) auf und die Temperaturanzeige des Kühlbereichs zeigt den Wert 1. Drücken Sie zum Abbrechen dieser Funktion erneut die Schnellkühl Taste. Die Schnellkühlanzeige erlischt, die normalen Einstellungen werden wiederhergestellt. Die Schnellkühlfunktion wird nach 1 Stunde automatisch abgebrochen, sofern sie nicht zuvor bereits manuell abgebrochen wurde. Zum Kühlen großer Mengen frischer Lebensmittel drücken Sie die Schnellkühl Taste, bevor Sie Lebensmittel in den Kühlbereich geben.

### 5. Urlaubsfunktion

Drücken Sie zum Aktivieren der Urlaubsfunktion 3 Sekunden die Taste (⏸); dadurch wird die Urlaubsmodusanzeige (🏖) aktiviert. Wenn die Urlaubsfunktion aktiv ist, zeigt die Temperaturanzeige des Kühlbereichs „-“ und der Kühlbereich wird nicht gekühlt. Diese Funktion ist nicht geeignet, um Lebensmittel im Kühlbereich aufzubewahren. Andere Bereiche werden entsprechend der für den jeweiligen Bereich eingestellten Temperatur weiterhin gekühlt. Zum Abbrechen dieser Funktion drücken Sie die **Urlaubstaste** noch einmal.

### 6. Kühlbereichtemperatureinstellung

Nach Betätigung der Taste kann die Kühlbereichtemperatur entsprechend auf 8, 7, 6, 5, 4, 3, 2 oder 1 eingestellt werden. (🌡)

#### 7. 1 Energiesparen (Display aus)

Bei Betätigung dieser Taste (⏻) leuchtet das Energiesparsymbol (⏻) auf und die Energiesparfunktion wird aktiviert. Mit Aktivierung der Energiesparfunktion werden alle anderen Symbole am Display abgeschaltet. Wird bei aktiver Energiesparfunktion eine Taste gedrückt oder die Tür geöffnet, schaltet sich die Energiesparfunktion aus und alle Displaysignale kehren in den Normalzustand zurück. Durch erneute Betätigung dieser Taste (⏻) werden das Energiesparsymbol und die Energiesparfunktion deaktiviert.

#### 7.2 Alarm-Aus-Warnung

Bei einem Stromausfall/Temperaturalarm drücken Sie nach Befüllen des Tiefkühlbereichs mit Lebensmitteln die Alarm-aus-Taste zum Aufheben der Warnung.


### 8. Bedienfeldsperre

Halten Sie die Bedienfeldsperre-Taste (🔒) 3 Sekunden lang gedrückt. Das Bedienfeldsperre-Symbol (🔒) leuchtet auf und die Bedienfeldsperre wird aktiviert. Die Tasten sind bei eingeschalteter Bedienfeldsperre inaktiv. Halten Sie die Bedienfeldsperre-Taste erneut 3 Sekunden lang gedrückt. Das Bedienfeldsperre-Symbol erlischt, die Bedienfeldsperre wird abgeschaltet.

Drücken Sie die **Bedienfeldsperre**-Taste (🔒), wenn Sie Änderungen an den Temperatureinstellungen der Kühlschranks verhindern möchten.

## Produkt verwenden

### 9. Öko-Fuzzy

Zum Aktivieren der Öko-Fuzzy-Funktion halten Sie die Öko-Fuzzy-Taste 1 Sekunde lang gedrückt. Wenn diese Funktion aktiv ist, wechselt der Tiefkühlbereich nach mindestens 6 Stunden in den Ökomodus, die Öko-Anzeige leuchtet auf. Zum Deaktivieren der Öko-Fuzzy-Funktion () halten Sie die Öko-Fuzzy-Taste erneut 3 Sekunden lang gedrückt.


Wenn die Öko-Fuzzy-Funktion aktiv ist, leuchtet die Anzeige nach 6 Stunden auf.

### 10. Tiefkühlbereichtemperatureinstellung

Die Temperatur im Tiefkühlbereich ist einstellbar. Mit der Taste kann die Temperatur des Tiefkühlbereichs auf -18, -19, -20, -21, -22, -23 oder -24 eingestellt werden. ()

### 11. Schnellgefrieren

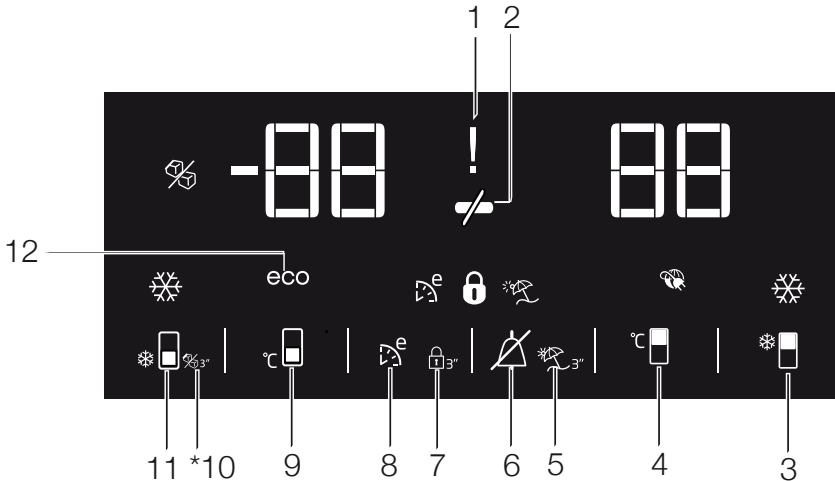
Drücken Sie zum Schnellgefrieren die Taste; dadurch wird die Schnellgefrieranzeige () aktiviert.

Wenn die Schnellgefrierfunktion eingeschaltet ist, leuchtet die Schnellgefrieranzeige auf und die Temperaturanzeige des Tiefkühlbereichs zeigt den Wert -27. Zum Aufheben dieser Funktion drücken Sie die Schnellgefrieranzeige () noch einmal. Die Schnellgefrieranzeige erlischt, die normalen Einstellungen werden wiederhergestellt. Die Schnellgefrierfunktion wird nach 24 Stunden automatisch abgebrochen, sofern sie nicht zuvor bereits manuell abgebrochen wurde. Zum Einfrieren großer Mengen frischer Lebensmittel drücken Sie die Schnellgefrieranzeige, bevor Sie Lebensmittel in den Tiefkühlbereich geben.

## Produkt verwenden

### 5.8. Anzeigefeld

Das Anzeigefeld ermöglicht Ihnen die Einstellung der Temperatur und die Steuerung anderer Funktionen, ohne dass Sie die Tür des Produktes öffnen müssen. Drücken Sie einfach die Beschriftungen der entsprechenden Tasten zur Funktionseinstellung.



#### 1. Stromausfall-/Hochtemperatur-/Fehler-Warnanzeige

Diese Anzeige (⚡) signalisiert einen Stromausfall, zu hohe Innentemperaturen und sonstige Fehler. Bei längeren Stromausfällen blinkt die höchste Temperatur, die der Tiefkühlbereich erreicht, im digitalen Display. Drücken Sie nach Prüfung der im Tiefkühlbereich (🧊) gelagerten Lebensmittel zum Löschen der Warnung die Alarm-aus-Taste.

#### 2. Energiesparfunktion (Display aus):

Wenn die Gerätetüren lange Zeit geschlossen bleiben, wird die Energiesparfunktion automatisch aktiviert und das Energiesparsymbol leuchtet auf. (🔌)

Bei aktiver Energiesparfunktion erlöschen sämtliche Display-Symbole mit Ausnahme des Energiesparsymbols. Die Energiesparfunktion wird

aufgehoben, sobald Tasten betätigt werden oder die Tür geöffnet wird. Das Display zeigt wieder die normalen Symbole.

Die Energiesparfunktion wird während der Lieferung ab Werk aktiviert und kann nicht aufgehoben werden.

#### 3. Schnellkühlen

Diese Taste erfüllt zwei Funktionen. Zum Ein- und Ausschalten der Schnellkühlfunktion drücken Sie die Taste einmal kurz. Die Schnellkühlenanzeige erlischt, der Kühlschrank arbeitet wieder mit normalen Einstellungen.






**Trifft möglicherweise nicht auf alle Modelle zu**




\* **Optional:** Die Abbildungen in dieser Anleitung sind skizzenhaft und stimmen möglicherweise nicht exakt mit Ihrem Produkt überein. Falls Ihr Produkt nicht über die entsprechenden Teile verfügt, betreffen die Informationen andere Modelle.


## Produkt verwenden

	Die Schnellkühlfunktion nutzen Sie, wenn Sie Lebensmittel im Kühlbereich besonders schnell abkühlen möchten. Wenn Sie große Mengen frischer Lebensmittel kühlen möchten, sollten Sie diese Funktion vor dem Einlagern der Lebensmittel einschalten.
	Sofern Sie diese Funktion nicht vorzeitig abschalten, wird das Schnellkühlen beendet, sobald die nötige Temperatur erreicht ist, spätestens jedoch nach 8 Stunden.



	Sollten Sie die Schnellkühltaste mehrmals innerhalb kurzer Zeit drücken, greift eine elektronische Schutzschaltung ein und sorgt dafür, dass der Kompressor nicht sofort anläuft.
-----------------------------------------------------------------------------------	-----------------------------------------------------------------------------------------------------------------------------------------------------------------------------------

	Diese Funktion wird nach einem Stromausfall nicht automatisch wieder eingeschaltet.
-----------------------------------------------------------------------------------	-------------------------------------------------------------------------------------

### 4. Kühlbereichtemperatur-Einstelltaste

Durch mehrmaliges Drücken dieser Taste stellen Sie die Kühlbereichtemperatur auf 8 °, 7 °, 6 °, 5 °, 4 °, 3 °, 2 °, 8 °C ... ein. Mit dieser Taste stellen Sie die gewünschte Kühlbereichtemperatur ein. 

### 5. Urlaubsfunktion

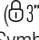

Drücken Sie zum Aktivieren der Urlaubsfunktion 3 Sekunden diese Taste ; dadurch wird die Urlaubsmodusanzeige  aktiviert. Wenn die Urlaubsfunktion aktiv ist, erscheint „-“ in der Kühlbereichtemperaturanzeige; der Kühlbereich wird nun nicht mehr aktiv gekühlt. Wenn diese Funktion aktiv ist, sollten keine Lebensmittel im Kühlbereich aufbewahrt werden. Andere Bereiche werden entsprechend der eingestellten Temperatur weiterhin gekühlt.

Zum Aufheben dieser Funktion drücken Sie die **Urlaubsfunktionstaste** noch einmal.

### 6. Alarm-aus-Warnung:


Drücken Sie bei einem Alarm wegen Stromausfalls/ hoher Temperatur nach Prüfung der im Tiefkühlbereich gelagerten Lebensmittel zum Löschen der Warnung die Alarm-aus-Taste .

### 7. Tastensperre

Halten Sie die Tastensperre-Taste  3 Sekunden lang gedrückt. Das Tastensperre-Symbol  leuchtet auf, die Tastensperre ist aktiv. Bei aktiver Tastensperre reagiert das Gerät nicht auf Tastenbetätigungen. Halten Sie die Tastensperre-Taste noch einmal 3 Sekunden lang gedrückt. Das Tastensperre-Symbol erlischt, die Tastensperre wird abgeschaltet.


Verwenden Sie die **Tastensperre**-Taste, wenn Sie Änderungen der Temperatureinstellung des Kühlschranks verhindern möchten ().

### 8. Öko-Fuzzy

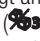
Drücken und halten Sie die Öko-Fuzzy-Taste zum Aktivieren der Öko-Fuzzy-Funktion 1 Sekunde. Spätestens sechs Stunden später arbeitet Ihr Kühlgerät besonders ökonomisch; die Energiesparanzeige leuchtet . Drücken und halten Sie die Öko-Fuzzy-Taste zum Deaktivieren der Öko-Fuzzy-Funktion 3 Sekunden.


Diese Anzeige leuchtet nach 6 Stunden auf, wenn Öko-Fuzzy aktiv ist.

### 9. Tiefkühlbereichtemperatur-Einstelltaste


Durch mehrmaliges Drücken dieser Taste stellen Sie die Tiefkühlbereichtemperatur auf -18 °, -19 °, -20 °, -21 °, -22 °, -23 °, -24 °, -18 °C, ... ein. Mit dieser Taste stellen Sie die gewünschte Temperatur des Tiefkühlbereiches ein. 

### 10. Eisbereiter-aus-Anzeige

Zeigt an, ob der Eisbereiter ein- oder ausgeschaltet ist.  Bei der Einstellung Ein ist der Eisbereiter abgeschaltet. Zum Einschalten des Eisbereiters halten Sie die Ein-/Austaste 3 Sekunden lang gedrückt.

	Bei der Auswahl dieser Funktion wird kein Wasser mehr aus dem Tank zugeführt. Bereits vorbereitetes Eis kann aber nach wie vor aus dem Eisbereiter entnommen werden.
-------------------------------------------------------------------------------------	----------------------------------------------------------------------------------------------------------------------------------------------------------------------

### 11. Schnellgefrierfaste/Eisbereiter-ein/aus-Taste

Mit dieser Taste schalten Sie die Schnellgefrierfunktion ein und aus. Wenn diese Funktionen aktiv ist, wird der Tiefkühlbereich besonders stark (über die eingestellte Temperatur hinaus) gekühlt. 

## Produkt verwenden

Zum Ein- und Ausschalten des Eisbereiters halten Sie die Taste 3 Sekunden lang gedrückt.



Die Schnellgefrierfunktion nutzen Sie, wenn Sie die Lebensmittel im Tiefkühlbereich besonders schnell abkühlen möchten. Wenn Sie große Mengen frischer Lebensmittel kühlen möchten, sollten Sie diese Funktion vor dem Einlagern der Lebensmittel einschalten.




Sofern Sie diese Funktion nicht vorzeitig abschalten, wird das Schnellgefrieren beendet, sobald die nötige Temperatur erreicht ist, spätestens jedoch nach 4 Stunden.



Diese Funktion wird nach einem Stromausfall nicht automatisch wieder eingeschaltet.

### 12. Energiesparanzeige

Zeigt an, dass das Gerät besonders energiesparend arbeitet.  Diese Anzeige leuchtet auf, wenn die Temperatur des Tiefkühlbereiches auf -18 °C eingestellt ist oder das Gerät mit der Öko-Extra-Funktion besonders ökonomisch arbeitet.



Die Energiesparanzeige erlischt, wenn Sie Schnellkühlen oder Schnellgefrieren zuschalten.

## Produkt verwenden

### 5.9. Eisbehälter

#### (optional)

- Nehmen Sie den Eisbehälter aus dem Tiefkühlbereich.
- Füllen Sie den Eisbehälter mit Trinkwasser.
- Geben Sie den Eisbehälter in den Tiefkühlbereich.
- Das Eis ist nach etwa zwei Stunden fertig. Nehmen Sie den Eisbehälter aus dem Tiefkühlbereich und biegen Sie ihn leicht über dem Gefäß, das Sie servieren möchten. Das Eis gelangt in den Behälter.

### 5.10. Eierhalter

Sie können den Eierhalter in der Tür oder auf der Ablage Ihrer Wahl platzieren. Falls Sie sich für die Ablagen entscheiden, sollten Sie tiefer gelegene Ablagen wählen, da es dort kühler ist.

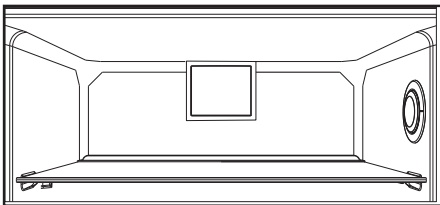


Geben Sie den Eierhalter nicht in den Tiefkühlbereich.

### 5.11. Lüfter

Der Lüfter wurde dazu entwickelt, die kalte Luft im Inneren Ihres Kühlschranks gleichmäßig zu verteilen. Je nach Modell und Bedarf arbeitet der Lüfter auf unterschiedliche Weise.

Während der Lüfter in einigen Produkten nur mit einem Kompressor arbeitet, ermittelt in anderen Modellen ein Kontrollsystem die Betriebszeit basierend auf den Kühlanforderungen.



### 5.12. Gemüsefach

#### (optional)

Das Gemüsefach des Produktes ist darauf ausgelegt, Gemüse durch Bewahren der Feuchtigkeit frisch zu halten. Aus diesem Grund wird die Gesamtzirkulation kalter Luft im Gemüsefach intensiviert.

### 5.13. 0-Grad-Fach

#### (optional)

Bewahren Sie in diesem Bereich Feinkost bei geringeren Temperaturen oder schnell verderbliche Fleischprodukte auf.

Das 0-Grad-Fach ist der kälteste Bereich, in dem Sie Lebensmittel, wie Milchprodukte, Fleisch, Fisch und Geflügel, bei idealen Lagerungsbedingungen aufbewahren können. Gemüse und/oder Obst gehören nicht in dieses Fach.

### 5.14. Bewegliche Türablage

#### (optional)

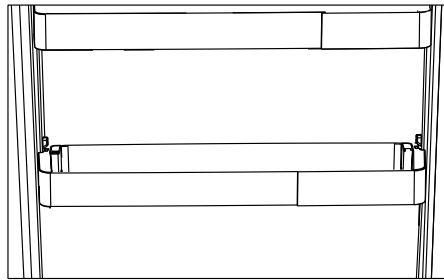
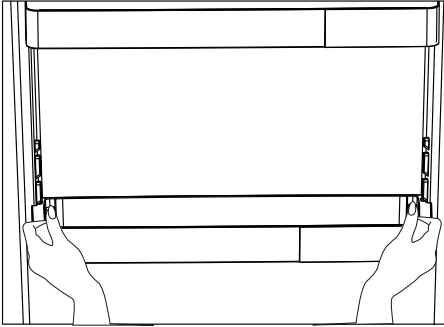
Die bewegliche Türablage kann in 3 verschiedenen Positionen fixiert werden.

Zum Bewegen der Ablage drücken Sie die Tasten an der Seite gleichmäßig. Die Ablage wird beweglich.

Bewegen Sie die Ablage nach oben oder unten.

Wenn sich die Ablage in der gewünschten Position befindet, lassen Sie die Tasten los. Die Ablage wird wieder in der Position fixiert, in der Sie die Tasten losgelassen haben.

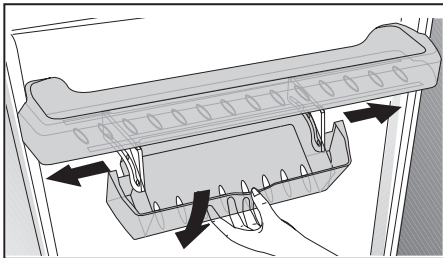
## Produkt verwenden



### 5.15. Verschiebbarer Vorratsbehälter (optional)

Dieses Zubehör ist so konstruiert, dass das Volumen der Türablagen vergrößert wird.

Dank seiner Fähigkeit zur Seitwärtsbewegung können Sie mühelos lange Flaschen, Gläser oder Kartons im Flaschenhalter darunter verstauen.



### 5.16. HerbBox/HerbFresh

Das Foliengehäuse vom HerbBox/HerbFresh+ entfernen.

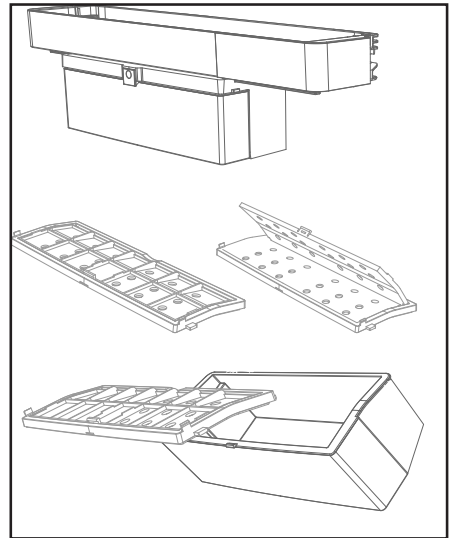
Nehmen Sie die Folie aus dem Beutel und legen Sie es wie auf der Abbildung angezeigt in das Foliengehäuse.

Schließen Sie das Gehäuse und legen Sie es wieder in die HerbBox/HerbFresh+.

Die HerbBox-HerbFresh+ Fächer sind besonders ideal für Kräuter, die in empfindlichen Bedingungen aufbewahrt werden müssen.

Ihr Grünzeug (Petersilie, Dill, usw.), das aus seinem Beutel ausgepackt wurde, können Sie in diesem Fach in horizontaler Position länger frisch aufbewahren.

Die Schicht wird alle sechs Monate ausgetauscht.





## Produkt verwenden

### 5.17. Feuchtigkeitskontrolliertes Gemüsefach

#### (optional)

Dank der Feuchtigkeitsregelung bleibt der Feuchtigkeitsgehalt von Gemüse und Obst unter Kontrolle, die Lebensmittel bleiben länger frisch.

Es wird empfohlen, Blattgemüse, wie Salat, Spinat und dergleichen, das zu Feuchtigkeitsverlust neigt, nicht auf den Wurzeln, sondern nach Möglichkeit in horizontaler Position im Gemüsefach aufzubewahren.

Beim Einlagern von Gemüse platzieren Sie schweres, hartes Gemüse im unteren Bereich und leichtes, weiches Gemüse darüber; achten Sie auf das jeweilige Gewicht der Lebensmittel.

Lassen Sie Gemüse nicht in Plastikbeuteln im Gemüsefach. Bleibt das Gemüse in Plastikbeuteln, kann es in kurzer Zeit verderben. Falls Kontakt mit anderem Gemüse vermieden werden soll, sollten Sie Verpackungsmaterialien wie Papier verwenden, die eine bestimmte Durchlässigkeit in Sachen Hygiene aufweisen.

Geben Sie Obst mit einer hohen Ethylenfreisetzung, wie Birnen, Aprikosen, Pfirsiche und bestimmte Apfelsorten, nicht mit anderem Obst und Gemüse in das Gemüsefach. Das von solchen Früchten freigesetzte Ethylen kann dazu führen, dass anderes Obst und Gemüse in kurzer Zeit reift und verdirbt.

### 5.18. Automatischer Eisbereiter

#### (optional)

Der automatische Eisbereiter ermöglicht Ihnen die einfache Bereitung von Eis in Ihrem Kühlschrank. Damit Sie Eis vom Eisbereiter erhalten, nehmen Sie den Wassertank aus dem Kühlbereich, füllen ihn mit Wasser und setzen ihn wieder ein.

Nach etwa zwei Stunden liegen die ersten Eiswürfel in der Eisbereiter-Schublade im Kühlbereich für Sie bereit.

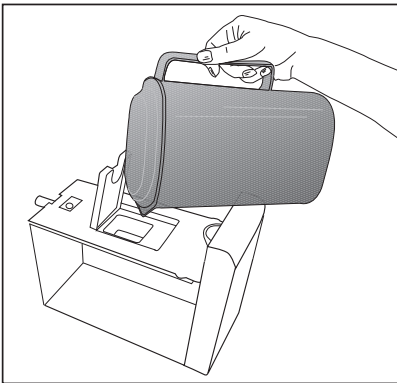
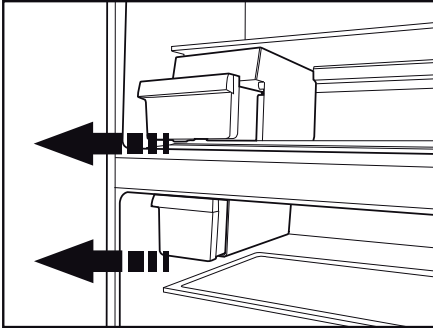
Nach Einsetzen des vollen Wassertanks erhalten Sie 60 bis 70 Eiswürfel, bis er vollständig leer ist.

Wenn das Wasser 2 bis 3 Wochen im Tank war, sollte es ausgewechselt werden.

## Produkt verwenden



In Produkten mit automatischem Eisbereiter hören Sie möglicherweise einen Ton beim Ausgießen von Eis. Dieser Ton ist völlig normal und keine Zeichen für einen Fehler.



### 5.19. Eisbereiter und Eisbehälter (optional)

#### Eisbereiter verwenden

Füllen Sie den Eisbereiter mit Wasser, setzen Sie ihn in seine Halterung. Ihr Eis ist nach etwa zwei Stunden fertig. Zum Entnehmen des Eises nehmen Sie den Eisbereiter nicht heraus.

Drehen Sie die Knöpfe daran um 90 ° im Uhrzeigersinn.

Die Eiswürfel fallen in den darunter liegenden Eiswürfelbehälter.

Sie können den Eisbehälter zum Servieren der Eiswürfel herausnehmen.

Wenn Sie möchten, können Sie das Eis auch im Eisbehälter aufbewahren.

#### Eisbehälter

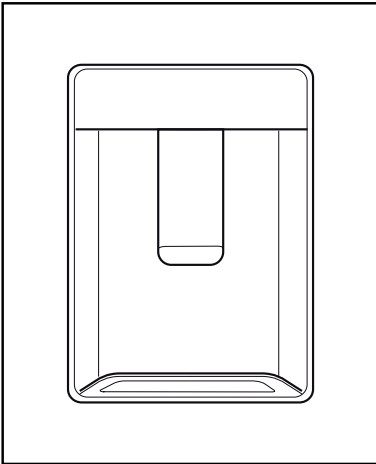
Der Eisbehälter dient ausschließlich zum Sammeln der Eiswürfel. Füllen Sie kein Wasser ein. Der Behälter wird sonst platzen.

## Produkt verwenden

### 5.20. Wasserspender

#### (bei bestimmten Modellen)

Der Wasserspender ist eine praktische Einrichtung, mit der Sie kühles Wasser zapfen können, ohne dabei die Tür Ihres Kühlschranks öffnen zu müssen. Da Sie die Tür des Gerätes nicht häufig öffnen müssen, sparen Sie eine Menge Energie.



#### 5.21. So benutzen Sie den Wasserspender

Drücken Sie mit dem Glas gegen den Hebel des Wasserspenders. Die Wasserausgabe stoppt, sobald der Hebel losgelassen wird.

Den schnellsten Durchfluss erreichen Sie, wenn Sie den Hebel komplett eindrücken. Denken Sie daran, dass die Stärke des Wasserdurchflusses davon abhängt, wie weit der Hebel eingedrückt wird.

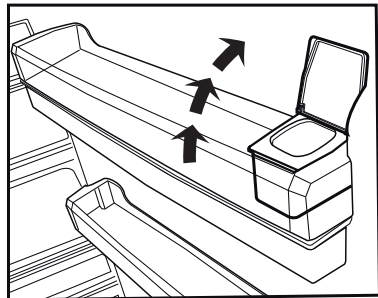
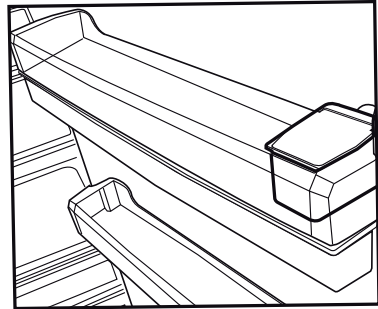
Geben Sie den Hebel langsam wieder frei, sobald das Glas fast vollständig gefüllt ist, damit nichts überläuft. Das Wasser tritt nur tropfenweise aus, wenn Sie den Hebel nur leicht betätigen; dies ist völlig normal.

#### Wasserbehälter füllen

Der Wassertank befindet sich an der Innenseite der Türablage. Öffnen Sie die Abdeckung des Behälters, füllen Sie Trinkwasser ein. Schließen Sie anschließend den Deckel.

#### Warnung!

- Füllen Sie den Wassertank nur mit sauberem Trinkwasser, nicht mit anderen Flüssigkeiten gleich welcher Art. Falls andere Flüssigkeiten eingefüllt werden, kann der Wasserspender irreparabel beschädigt werden. Solche



Beschädigungen werden nicht durch die Garantie abgedeckt. Viele Flüssigkeiten und Getränke enthalten Zusätze, die das Material des Wassertanks angreifen können.

- Nutzen Sie ausschließlich klares Trinkwasser.
- Die Kapazität des Wassertanks beträgt 3 Liter; füllen Sie nicht mehr hinein.
- Drücken Sie mit einem haltbaren Glas gegen den Hebel des Wasserspenders. Falls Sie Einwegbecher verwenden, betätigen Sie den Hebel mit dem Finger.

#### 5.22. Wassertank reinigen

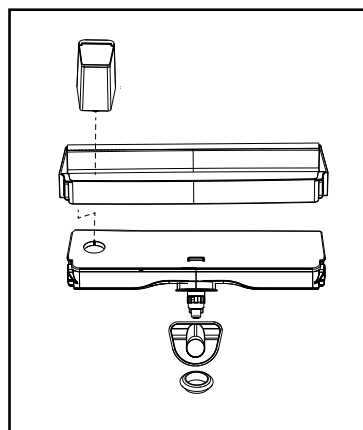
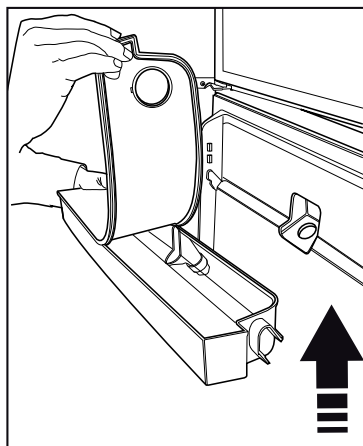
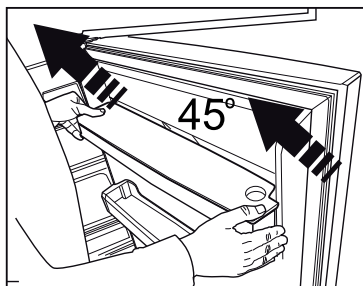
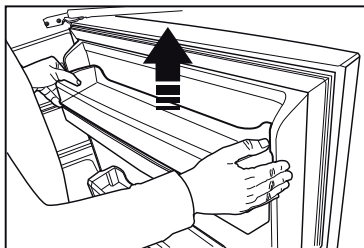
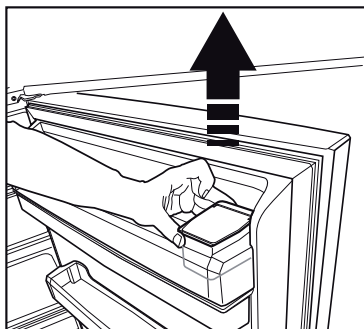
- Entfernen Sie den Füllbehälter auf der Innenseite der Türablage.
- Entfernen Sie die Türablage, indem Sie diese an beiden Seiten greifen.

## Produkt verwenden

- Greifen Sie den Wassertank an beiden Seiten und entfernen ihn in einem Winkel von 45 ° C.
- Öffnen Sie die Abdeckung und reinigen den Wassertank.

### Wichtig:

Die Komponenten des Wasserspenders und des Wassertanks sollten nicht in der Spülmaschine gereinigt werden.



## Produkt verwenden

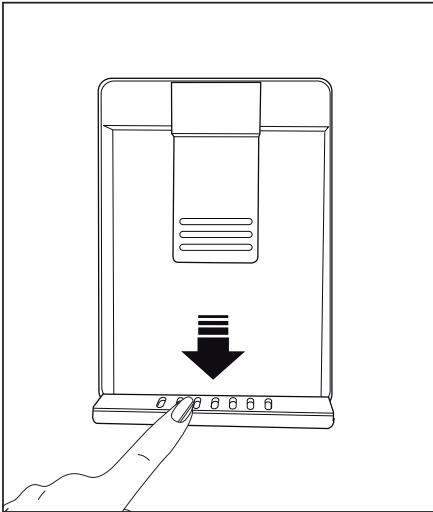
### 5.23. Tropfschale

Wasser, das bei der Nutzung des Wasserspenders heruntertropft, sammelt sich in der Tropfschale.

Nehmen Sie das Kunststoffsieb wie in der Abbildung gezeigt heraus.

Entfernen Sie angesammeltes Wasser mit einem sauberen, trockenen Tuch.

**Achtung:** Nur an Trinkwasserleitungen anschließen.



## Produkt verwenden

### 5.24. Frische Lebensmittel tiefkühlen

- Zur Gewährleistung der Lebensmittelqualität müssen im Tiefkühlbereich gelagerte Lebensmittel so schnell wie möglich eingefroren werden; nutzen Sie dazu die Schnellgefrierfunktion.
- Das Einfrieren frischer Lebensmittel verlängert die Aufbewahrungsdauer im Tiefkühlbereich.
- Verpacken Sie Lebensmittel in sicher verschlossenen luftdichten Behältern.
- Stellen Sie sicher, dass die Lebensmittel verpackt sind, bevor Sie sie in den Tiefkühlbereich geben. Verwenden Sie statt herkömmlichen Packpapiers tiefkühlgeeignete Behälter, Alufolie und feuchtigkeitsbeständiges Papier, Plastikbeutel oder ähnliche Verpackungsmaterialien.



Eis im Tiefkühlbereich taut automatisch.

- Beschriften Sie die Behälter vor dem Einfrieren mit dem Datum. Dadurch können Sie beim Öffnen des Tiefkühlbereichs stets die Frische der verpackten Lebensmittel prüfen. Bewahren Sie ältere Lebensmittel weiter vorne auf, damit sie zuerst verbraucht werden.

- Gefrorene Lebensmittel müssen unmittelbar nach dem Auftauen verbraucht und dürfen nicht wieder eingefroren werden.
- Frieren Sie nicht zu große Mengen auf einmal ein.

1. Geben Sie Lebensmittel so schnell wie möglich in den Tiefkühlbereich, damit sie nicht auftauen.
2. Prüfen Sie vor dem Einfrieren, ob das Verfallsdatum auf der Verpackung bereits abgelaufen ist.
3. Stellen Sie sicher, dass die Lebensmittelverpackung nicht beschädigt ist.

### 5.26. Hinweise zum Tiefkühlbereich

Gemäß den Standards IEC 62552 muss der Tiefkühlbereich über die Kapazität verfügen, 4,5 kg Lebensmittel bei -18 °C oder geringeren Temperaturen je 100 Liter Volumen des Tiefkühlbereichs in 24 Stunden einzufrieren.

Tiefkühlbereich temperatureinstellung	Kühlbereich temperatureinstellung	Details
-18 °C	4 °C	Dies ist die allgemein empfohlene Einstellung.
-20 °C, -22 °C oder -24 °C	4 °C	Diese Einstellungen empfehlen wir bei Umgebungstemperaturen über 30 °C.
Schnellgefrieren	4 °C	Diese Funktion nutzen Sie zum Einfrieren von Lebensmitteln in kurzer Zeit. Wenn der Vorgang endet, nimmt das Produkt wieder seine Position ein.
-18 °C und kälter	2 °C	Nutzen Sie diese Einstellungen, falls Sie meinen, dass der Kühlbereich aufgrund der Umgebungstemperatur oder zu häufigen Öffnens und Schließens der Tür nicht kalt genug wird.

### 5.25. Empfehlungen zur Lagerung gefrorener Lebensmittel

Der Bereich muss auf mindestens -18 °C eingestellt sein.

## Produkt verwenden

Lebensmittel können nur bei Temperaturen von -18 °C und darunter längere Zeit aufbewahrt werden.

Sie können Lebensmittel monatelang frisch halten (im Tiefkühlbereich bei oder unter 18 °C).

Lebensmittel, die eingefroren werden sollen, dürfen keine bereits eingefrorenen Lebensmittel berühren, da diese andernfalls antauen könnten.

Gekochtes Gemüse und gefiltertes Wasser können länger im Tiefkühlbereich aufbewahrt werden. Geben Sie die Lebensmittel nach dem Filtern in luftdichten Verpackungen in den Tiefkühlbereich. Bananen, Tomaten, Salat, Sellerie, gekochte Eier, Kartoffeln und ähnliche Lebensmittel sollten nicht eingefroren werden. Falls diese Lebensmittel verderben, werden nur Nährwert und Geschmack negativ beeinträchtigt. Es besteht keine Gefahr für die menschliche Gesundheit.

### 5.27. Lebensmittel einlagern

Tiefkühlbereich- Ablagen	Unterschiedliche gefrorene Lebensmittel wie Fleisch, Fisch, Speiseeis, Gemüse etc.
Kühlbereich- Ablagen	Lebensmittel in Töpfen, auf abgedeckten Tellern und in bedeckten Behältern, Eier (in abgedecktem Behälter)
Kühlbereich- Türablagen	Kleine und verpackte Lebensmittel oder Getränke
Gemüsefach	Obst und Gemüse
Frischlebensmittelbereich	Feinkost (Frühstücksprodukte, schnell verderbliche Fleischprodukte)

### 5.28. Tür-offen-Alarm

#### (optional)

Wenn die Gerätetür mindestens 1 Minute offen bleibt, wird ein akustischer Alarm ausgegeben.

Dieser akustische Alarm verstummt, sobald Sie die Tür schließen oder eine beliebige Taste am Display (sofern vorhanden) drücken.

Der Tür-offen-Alarm wird sowohl akustisch als auch visuell ausgegeben. Die Innenbeleuchtung schaltet sich aus, wenn die Warnung 10 Minuten lang anhält.

### 5.29. Wechseln des Türanschlags

Sie können den Türanschlag Ihres Kühlschranks je nach Aufstellungsort wechseln. Wenden Sie sich in diesem Fall an den autorisierten Kundendienst in Ihrer Nähe.

Die obige Erklärung ist allgemeiner Natur. Sie sollten das Warnschild in der Produktverpackung auf Möglichkeit zum Wechseln des Türanschlags prüfen.

### 5.30. Innenbeleuchtung

Die Innenbeleuchtung nutzt eine LED-Lampe.

Wenden Sie sich bei jeglichen Problemen mit dieser Lampe an den autorisierten Kundendienst.

Die in diesem Gerät verwendete(n) Lampe(n) können nicht zur Raumbelichtung verwendet werden. Der vorgesehene Zweck dieser Lampe dient dem sicheren und komfortablen Einlagern von Lebensmitteln im Kühl- / Tiefkühlbereich.

## 6 Wartung und Reinigung

Die Einsatzdauer des Produktes verlängert sich und häufige Probleme lassen nach, wenn das Produkt regelmäßig gereinigt wird.



**WARNUNG:** Schalten Sie das Gerät ab, bevor Sie es reinigen.



**WARNUNG:** Es wird empfohlen, den Kondensator alle sechs Monate mit Handschuhen zu reinigen. Sie dürfen keine Staubsauger verwenden.

- Verwenden Sie zu Reinigungszwecken niemals Benzin oder ähnliche Substanzen.
- Verwenden Sie zur Reinigung niemals scharfe Gegenstände, Seife, Haushaltsreiniger, Waschmittel oder Wachspolituren.
- Lösen Sie einen Teelöffel Natron in einem halben Liter Wasser auf. Tränken Sie ein Tuch mit der Lösung, wringen Sie das Tuch gut aus. Waschen Sie die Innenflächen des Kühlschranks gründlich mit diesem Tuch ab; anschließend gut trocknen.
- Achten Sie darauf, dass kein Wasser in das Lampengehäuse oder in andere elektrische Komponenten eindringt.
- Falls Sie den Kühlschrank längere Zeit nicht benutzen, ziehen Sie den Netzstecker, nehmen sämtliche Lebensmittel heraus, reinigen das Gerät und lassen die Tür offen stehen.
- Prüfen Sie die Türdichtungen regelmäßig auf Sauberkeit. Bei Bedarf reinigen.
- Nehmen Sie zum Entfernen der Tür- und Gehäuseablagen alle Gegenstände aus dem Produkt heraus.
- Ziehen Sie die Türablagen nach oben heraus. Setzen Sie die Ablagen nach der Reinigung wieder ein, indem Sie sie nach unten schieben.
- Reinigen Sie Außenflächen und verchromte Teile des Produktes niemals mit chlorhaltigen Reinigern oder Wasser. Chlor greift Metalloberflächen an.
- Bei Geräten ohne No-Frost-Einrichtung können Wassertropfen entstehen und sich mit der Zeit bis zu fingerbreite Eisschichten an Rückwand und Seiten des Tiefkühlfachs bilden. Niemals reinigen; niemals Öl oder andere Substanzen aufbringen.

- Verwenden Sie nur ein leicht angefeuchtetes Mikrofasertuch zum Reinigen der Geräteaußenflächen. Scheuerschwämme oder grobe Reinigungstücher könnten die Oberflächen verkratzen.

### 6.1. Unangenehme Gerüche verhindern

Bei der Herstellung Ihres Kühlschranks wurde darauf geachtet, dass keine Materialien verwendet werden, die unangenehme Gerüche verursachen können. Allerdings können Gerüche abgesondert werden, wenn Lebensmittel falsch aufbewahrt werden oder die Innenseite des Gerätes nicht wie erforderlich gereinigt wird. Dieses Problem können Sie mit folgenden Hinweisen vermeiden:

- Es ist wichtig, das Kühlschrank sauber zu halten. Lebensmittelreste, Verschmutzungen usw. können Gerüche verursachen. Reinigen Sie den Kühlschrank daher alle 15 Tage mit etwas in Wasser aufgelöstem Natron. Verzichtern Sie grundsätzlich auf Reinigungsmittel und Seifen.
- Bewahren Sie Ihre Lebensmittel in geschlossenen Behältern auf. Mikroorganismen aus Behältern ohne Deckel können unangenehme Gerüche verursachen.
- Bewahren Sie keine abgelaufenen oder verdorbenen Lebensmittel in Ihrem Kühlschrank auf.

### 6.2. Kunststoffflächen schützen

Geben Sie keine Öle oder stark fetthaltige Speisen offen in Ihren Kühlschrank – dadurch können die Kunststoffflächen angegriffen werden. Sollten Kunststoffteile einmal mit Öl in Berührung kommen, reinigen Sie die entsprechenden Stellen möglichst sofort mit warmem Wasser.

### 6.3. Innenfläche reinigen

Reinigen Sie die Innenflächen und alle herausnehmbaren Teile mit einer milden Lösung aus Seife, Wasser und Karbonat. Gründlich abspülen und abtrocknen. Achten Sie darauf, dass Wasser nicht mit Leuchtmitteln und Bedienfeld in Berührung kommt.



**ACHTUNG:**

Reinigen Sie die Innenflächen nicht mit Essig, Reinigungsalkohol oder anderen alkoholbasierten Reinigern.



#### 6.4. Edelstahl-Außenflächen

Verwenden Sie einen nicht scheuernden Edelstahl-Reiniger und tragen Sie ihn auf ein fusselfreies, weiches Tuch auf. Zum Polieren wischen Sie die Oberfläche vorsichtig mit einem feuchten Mikrofaser Tuch und einem trockenen Fensterleder ab. Folgen Sie immer den Strängen des Edelstahls.

#### 6.5. Produkte mit Glastüren reinigen

Entfernen Sie die Schutzfolie von den Scheiben. Die Oberfläche der Scheiben ist beschichtet. Diese Beschichtung minimiert Fleckenbildung und sorgt dafür, dass sich Flecken und Schmutz leicht entfernen lassen. Auf Scheiben, die nicht durch eine Beschichtung geschützt sind, können sich dauerhaft organische oder anorganische in Luft oder Wasser befindliche Verunreinigungen, wie Kalk, Mineralsalze, unverbrannte Kohlenwasserstoffe, Metalloxide und Silikone, ablagern, die innerhalb kurzer Zeit zu Flecken und Materialschäden führen. Trotz regelmäßiger Reinigung lässt sich das Glas nur mit großer Mühe sauber halten. Dadurch lassen Klarheit und Aussehen der Scheiben nach. Aggressive und scheuernde Reinigungsmittel und Methoden verstärken diese Mängel weiter und beschleunigen den Verschleiß.

\*Verwenden Sie zur regelmäßigen Reinigung Mittel auf Wasserbasis, die weder alkalisch noch scheuernd sind. Damit die Beschichtung lange hält, dürfen während der Reinigung keine alkalischen oder scheuernden Substanzen zum Einsatz kommen.

Die Scheiben wurden zur Erhöhung ihrer Stoß- und Bruchfestigkeit gehärtet.

Als zusätzliche Sicherheitsmaßnahme befindet sich auf der Rückseite der Scheiben eine Sicherheitsfolie, damit das Glas keine Schäden im Umfeld anrichtet, falls es bricht.

Bitte arbeiten Sie diese Liste durch, bevor Sie sich an den Kundendienst wenden. Das kann Ihnen Zeit und Geld sparen. Diese Liste enthält häufig aufgetretene Probleme, die nicht auf Material- oder Verarbeitungsfehler zurückzuführen sind. Nicht alle hier beschriebenen Funktionen sind bei jedem Modell verfügbar.

#### Der Kühlschrank schaltet sich nicht ein.

- Möglicherweise ist er nicht richtig angeschlossen. >>> Schließen Sie das Gerät richtig an.
- Die entsprechende Haussicherung ist herausgesprungen oder durchgebrannt. >>> Prüfen Sie die Sicherung.

#### Kondensation an den Seitenwänden des Kühlbereiches (Multizone, Kühlkontrolle und FlexiZone).

- Die Tür wurde häufig geöffnet/geschlossen. >>> Verzichten Sie auf häufiges Öffnen/Schließen der Kühlschranktür.
- Die Umgebung könnte zu feucht sein. >>> Installieren Sie das Kühlschrank nicht an sehr feuchten Orten.
- Lebensmittel mit hohem Feuchtigkeitsgehalt wurden in Behältern ohne Deckel in den Kühlschrank gegeben. >>> Geben Sie Lebensmittel mit hohem Feuchtigkeitsgehalt nicht in offenen Behältern in den Kühlschrank.
- Die Kühlschranktür steht offen. >>> Halten Sie die Kühlschranktüren nur möglichst kurz geöffnet.
- Das Thermostat wurde auf eine sehr niedrige Temperatur eingestellt. >>> Stellen Sie das Thermostat auf einen geeigneten Wert ein.

#### Der Kompressor arbeitet nicht.

- Eine Schutzschaltung stoppt den Kompressor bei kurzzeitigen Unterbrechungen der Stromversorgung und wenn das Gerät zu oft und schnell ein- und ausgeschaltet wird, um eine Überdruck des Kühlmittels im System zu vermeiden. Der Kühlschrank beginnt nach etwa sechs Minuten wieder zu arbeiten. Bitte wenden Sie sich an den autorisierten Kundendienst, falls Ihr Kühlschrank nach Ablauf dieser Zeit nicht wieder zu arbeiten beginnt.
- Das Kühlgerät wird abgetaut. >>> Dies ist bei einem Kühlschrank mit vollautomatischem Abtauen völlig normal. Das Gerät wird regelmäßig abgetaut.
- Der Kühlschrank ist nicht angeschlossen. >>> Achten Sie darauf, dass der Stecker in die Steckdose passt.
- Die Temperatureinstellungen stimmen nicht. >>> Wählen Sie den richtigen Temperaturwert.
- Es liegt ein Stromausfall vor. >>> Der Kühlschrank setzt seinen Betrieb fort, wenn die Stromversorgung wiederhergestellt ist.

#### Das Betriebsgeräusch nimmt zu, wenn der Kühlschrank arbeitet.

- Das Leistungsverhalten des Kühlgerätes kann sich je nach Umgebungstemperatur ändern. Dies ist völlig normal und keine Fehlfunktion.

#### Der Kühlschrank arbeitet sehr intensiv oder über eine sehr lange Zeit.

- Ihr neues Gerät ist vielleicht etwas größer als sein Vorgänger. Große Kühlgeräte arbeiten oft längere Zeit.
- Die Umgebungstemperatur ist eventuell sehr hoch. >>> Bei hohen Umgebungstemperaturen arbeitet das Gerät etwas länger.
- Der Kühlschrank wurde erst vor Kurzem in Betrieb genommen oder mit Lebensmitteln gefüllt. >>> Wenn das Gerät erst vor Kurzem in Betrieb genommen oder mit Lebensmitteln gefüllt wurde, dauert es etwas länger, bis die eingestellte Temperatur erreicht ist. Dies ist völlig normal.
- Kurz zuvor wurden größere Mengen warmer Speisen in den Kühlschrank gestellt. >>> Geben Sie keine warmen oder gar heißen Speisen in den Kühlschrank.
- Die Türen wurden häufig geöffnet oder längere Zeit nicht richtig geschlossen. >>> Der Kühlschrank muss länger arbeiten, weil warme Luft in den Innenraum eingedrungen ist. Vermeiden Sie häufiges Öffnen der Türen.
- Die Tür des Kühl- oder Tiefkühlbereichs war nur angelehnt. >>> Vergewissern Sie sich, dass die Türen richtig geschlossen wurden.
- Die Kühlschranktemperatur ist sehr niedrig eingestellt. >>> Stellen Sie die Kühlschranktemperatur höher ein. Warten Sie dann ab, bis diese Temperatur erreicht ist.
- Die Türdichtungen von Kühl- oder Gefrierbereich sind verschmutzt, verschlissen, beschädigt oder sitzen nicht richtig. >>> Reinigen oder ersetzen Sie die Dichtung. Beschädigte oder defekte Dichtungen führen dazu, dass der Kühlschrank länger arbeiten muss, um die Temperatur halten zu können.

#### Die Temperatur im Kühlbereich ist angemessen, während Temperatur im Tiefkühlbereich sehr niedrig ist.

# Problemlösung

- Die Tiefkühlbereichstemperatur ist sehr niedrig eingestellt. >>> Tiefkühlbereichstemperatur höher einstellen, Temperatur nach einer Weile prüfen.

## Die Temperatur im Tiefkühlbereich ist angemessen, während die Temperatur im Kühlbereich sehr niedrig ist.

- Die Kühltemperatur ist sehr niedrig eingestellt. >>> Stellen Sie die Kühltemperatur wärmer ein, prüfen Sie die Temperatur nach einer Weile.

## Im Kühlbereich gelagerte Lebensmittel frieren ein.

- Die Kühlbereichstemperatur ist sehr hoch eingestellt. >>> Kühlbereichstemperatur niedriger einstellen, Temperatur nach einer Weile prüfen.

## Die Temperatur im Kühl- oder Tiefkühlbereich ist sehr hoch.

- Die Kühlbereichstemperatur ist sehr hoch eingestellt. >>> Die Kühlbereichstemperatur wirkt sich auf die Temperatur des Tiefkühlbereichs aus. Stellen Sie den Kühl- oder Tiefkühlbereich auf eine geeignete Temperatur ein.
- Türen wurden häufig geöffnet oder längere Zeit nicht richtig geschlossen. >>> Verzichten Sie auf häufiges Öffnen der Türen.
- Die Tür wurde eventuell nicht richtig geschlossen. >>> Tür richtig schließen.
- Der Kühlschrank wurde erst vor Kurzem in Betrieb genommen oder mit Lebensmitteln gefüllt. >>> Dies ist normal. Wenn das Gerät erst vor Kurzem in Betrieb genommen oder mit Lebensmitteln gefüllt wurde, dauert es etwas länger, bis die eingestellte Temperatur erreicht ist.
- Kurz zuvor wurden größere Mengen warmer Speisen in den Kühlschrank gestellt. >>> Geben Sie keine warmen oder gar heißen Speisen in den Kühlschrank.

## Vibrationen oder Betriebsgeräusche.

- Der Boden ist nicht stabil oder gerade. >>> Falls der Kühlschrank bei Bewegung leicht wackelt, richten Sie ihn mit den Füßen aus. Achten Sie darauf, dass der Boden eben ist und das Gewicht des Kühlschranks problemlos tragen kann.
- Gegenstände, die auf dem Kühlschrank abgestellt wurden, können Geräusche verursachen. >>> Nehmen Sie die Gegenstände herunter.

## Fließ- oder Spritzgeräusche sind zu hören.

- Aus technischen Gründen bewegen sich Flüssigkeiten und Gase innerhalb des Gerätes. >>> Dies ist völlig normal und keine Fehlfunktion.

## Der Kühlschrank pfeift.

- Im Inneren befinden sich Gebläse zum Kühlen des Gerätes. Dies ist völlig normal und keine Fehlfunktion.

## Feuchtigkeit an den Kühlschrankinnenflächen.

- Bei heißen und feuchten Wetterlagen treten verstärkt Eisbildung und Kondensation auf. Dies ist völlig normal und keine Fehlfunktion.
- Türen wurden häufig geöffnet oder längere Zeit nicht richtig geschlossen. >>> Verzichten Sie auf häufiges Öffnen der Türen. Schließen Sie die Türen, falls sie offen sind.
- Eine Tür wurde eventuell nicht richtig geschlossen. >>> Tür richtig schließen.

## Feuchtigkeit sammelt sich an der Außenseite des Kühlschranks oder an den Türen an.

- Hohe Luftfeuchtigkeit. Dies ist bei feuchtem Wetter völlig normal. >>> Die Kondensation verschwindet, wenn der Feuchtigkeitsgehalt abnimmt.
- Externer Feuchtigkeitsniederschlag im Bereich zwischen den beiden Türen des Kühlschranks, wenn das Gerät selten benutzt wird. Dies ist völlig normal. Der Feuchtigkeitsniederschlag verschwindet bei häufiger Verwendung.

## Unangenehmer Geruch im Kühlschrank.

- Das Gerät wurde nicht regelmäßig gereinigt. Reinigen Sie das Innere des Kühlschranks mit einem Schwamm, den Sie mit lauwarmem oder kohlenensäurehaltigem Wasser angefeuchtet haben.
- Einige Behälter oder Verpackungsmaterialien können Gerüche verursachen. >>> Andere Behälter und Verpackungsmaterialien bzw. Produkte anderer Hersteller verwenden.
- Lebensmittel wurden in Behältern ohne Deckel in den Kühlschrank gegeben. >>> Lebensmittel in geschlossenen Behältern aufbewahren. Mikroorganismen aus Behältern ohne Deckel können unangenehme Gerüche verursachen.
- Nehmen Sie abgelaufene oder verdorbene Lebensmittel aus dem Kühlschrank.

## Die Tür kann nicht geschlossen werden.

- Lebensmittelpackungen verhindern ein vollständiges Schließen der Tür. >>> Entfernen Sie die Verpackungen, welche die Tür blockieren.
- Der Kühlschrank hat keinen stabilen Stand. >>> Passen Sie die Kühlschrankfüße so an, dass der Kühlschrank in Waage ist.
- Der Boden ist nicht eben oder nicht stabil genug. >>> Achten Sie darauf, dass der Boden eben ist und das Gewicht des Kühlschranks problemlos tragen kann.

# Problemlösung

## Das Gemüsefach klemmt.

- Lebensmittel könnten die obere Wand des Gemüsefachs berühren. >>> Verteilen Sie die Lebensmittel im Gemüsefach anders.

## Wenn die Geräteoberfläche heiß ist.

Die Bereiche zwischen den beiden Türen, an den Seitenflächen und hinten am Grill können im Betrieb sehr heiß werden. Dies ist völlig normal und weist nicht auf eine Fehlfunktion hin.

## Gebälse läuft weiter, wenn die Tür geöffnet wird.

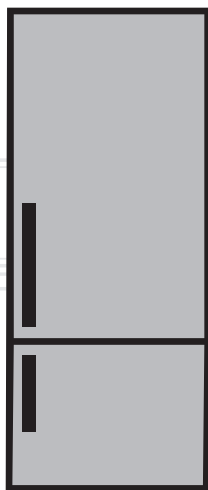
Es ist normal, dass das Gebläse weiterläuft, wenn die Tür des Tiefkühlbereichs geöffnet wird.



**WARNUNG:** Falls sich ein Problem nicht mit den Hinweisen in diesem Abschnitt lösen lassen sollte, wenden Sie sich bitte an Ihren Händler oder an den autorisierten Kundendienst. Versuchen Sie niemals, ein fehlerhaftes Produkt selbst zu reparieren.

# Réfrigérateur

Manuel d'utilisation



FR |

**beko**

## **Veillez d'abord lire ce manuel d'utilisation !**

Chère cliente, cher client,

Nous aimerions que vous soyez entièrement satisfait de notre appareil, fabriqué dans des infrastructures modernes et ayant fait l'objet d'un contrôle de qualité minutieux.

À cet effet, veuillez lire en intégralité le manuel d'utilisation avant d'utiliser cet appareil, et conservez-le pour références ultérieures. Si vous offrez cet appareil à une autre personne, remettez-lui également le manuel d'utilisation.

### **Le manuel d'utilisation garantit l'utilisation rapide et sécurisée du réfrigérateur.**

- Veuillez lire le manuel d'utilisation avant d'installer et d'utiliser le réfrigérateur,
- Respectez toujours les instructions de sécurité en vigueur,
- Tenez le manuel d'utilisation à portée pour références ultérieures,
- Veuillez lire tous les autres documents fournis avec l'appareil,

Veillez noter que ce manuel d'utilisation peut se rapporter à plusieurs modèles de cet appareil. Le manuel indique clairement toutes les différences entre les modèles.

Symboles et commentaires

Les symboles suivants sont utilisés dans le manuel d'utilisation :

	Informations importantes et renseignements utiles,
	Avertissement relatif aux conditions dangereuses pour la vie et la propriété,
	Risque d'électrocution,
	L'emballage de l'appareil a été fabriqué à partir de matériaux recyclables, conformément à la législation nationale en matière d'environnement,

**1 Consignes importantes relatives à la sécurité et à l'environnement 3**

- 1.1. Sécurité générale . . . . . 3
- 1.1.1 Mise en garde concernant les hydrocarbures 5
- 1.1.2 Pour les appareils avec distributeur d'eau/machine à glaçons . . . . . 6
- 1.2. Utilisation préconisée. . . . . 6
- 1.3. Sécurité des enfants . . . . . 6
- 1.4. Conformité avec la directive DEEE et mise au rebut de l'appareil usagé : . . . . . 7
- 1.5. Conformité avec la directive LdSD : . . . . . 7
- 1.6. Informations relatives à l'emballage . . . . . 7

**2 Votre réfrigérateur 9**

**3 Installation 10**

- 3.1. Lieu idéal d'installation . . . . . 10
- 3.2. Fixation des cales en plastique. . . . . 10
- 3.3. Réglage des pieds. . . . . 10
- 3.4. Branchement électrique . . . . . 11
- 3.5. Réversibilité des portes . . . . . 12
- 3.6. Réversibilité des portes . . . . . 13

**4 Préparation 14**

- 4.1. Moyens d'économiser l'énergie . . . . . 14
- 4.2. Première utilisation . . . . . 14

**5 Utilisation de l'appareil 15**

- 5.1. Bouton de réglage de température. . . . . 15
- 5.2. Congélation rapide . . . . . 15
- 5.3. Fonction Vacances . . . . . 16
- 5.4. Bouton de réglage du thermostat. . . . . 16
- 5.5. Décongélation. . . . . 17
- 5.6. Bandeau indicateur . . . . . 18
- 5.7. Bandeau indicateur . . . . . 20
- 5.8. Seau à glace . . . . . 26
- 5.9. Support d'œufs. . . . . 26
- 5.10. Ventilateur . . . . . 26
- 5.11. Bac à légumes . . . . . 26
- 5.12. Compartiment zéro degré. . . . . 26
- 5.13. Éclairage bleu . . . . . 26

- 5.14. Balconnet de porte amovible . . . . . 27
- 5.15. Boîte de stockage coulissante . . . . . 27
- 5.16. Bac à légumes à humidité contrôlée. . . . . 28
- 5.17. Machine à glace automatique . . . . . 28
- 5.18. Distributeur et récipient de conservation de glaçons . . . . . 29  
(dans certains modèles) . . . . . 29
- 5.19. Distributeur d'eau . . . . . 30
- 5.20. Utilisation du distributeur . . . . . 30
- 5.21. Nettoyer le réservoir d'eau . . . . . 31
- 5.22. Bac à eau . . . . . 32
- 5.23. Congélation des produits frais. . . . . 33
- 5.24. Recommandations relatives à la conservation des aliments congelés . . . . . 33
- 5.25. Informations relatives au congélateur . . . . . 34
- 5.26. Disposition des denrées . . . . . 34
- 5.27. Alerte ouverture de porte . . . . . 34
- 5.28. Inversion de la direction d'ouverture de la porte . . . . . 34
- 5.29. Éclairage interne . . . . . 34

**6 Entretien et nettoyage 35**

- 6.1. Prévention des mauvaises odeurs . . . . . 35

**6 Entretien et nettoyage 36**






- 6.2. Protection des surfaces en plastique. . . . . 36
- 6.3. Nettoyage de la surface intérieure . . . . . 36
- 6.4. Surfaces extérieures en acier inoxydable . . . . . 36
- 6.5. Nettoyage d'appareils avec portes en verre 36

**7 Dépannage 37**

# 1 Consignes importantes relatives à la sécurité et à l'environnement

Cette section comporte des informations de sécurité qui vous aideront à éviter les risques de blessures ou de dommages matériels. Le non-respect de ces instructions entraîne l'annulation de la garantie des appareils.

## Utilisation Préconisée

	<b>AVERTISSEMENT:</b> Assurez-vous que les trous d'aération ne sont pas fermés quand le dispositif est dans son boîtier ou est installé à sa place.
	<b>AVERTISSEMENT:</b> Ne pas utiliser tout dispositif mécanique ou un autre dispositif hors des recommandations du fabricant pour accélérer le processus de décongeler.
	<b>AVERTISSEMENT:</b> Ne pas endommager le circuit de fluide du réfrigérateur.
	<b>AVERTISSEMENT:</b> Ne pas utiliser des appareils électriques non prévus par le fabricant dans les compartiments de conservation des aliments.
	<b>AVERTISSEMENT:</b> Ne conservez pas de substances explosives comme des aérosols avec un liquide inflammable dans cet appareil.

Ce dispositif est conçu pour l'usage domestique ou les applications similaires suivantes :

- Pour être utilisé dans la cuisine de personnel dans les magasins, bureaux et autres environnements de travail ;
- Pour être utilisé par les clients dans les maisons de campagne et hôtels et les autres environnements d'hébergement ;
- Dans des environnements de type de pension de famille
- Dans des applications similaires n'ayant pas de service alimentaire et non détaillants

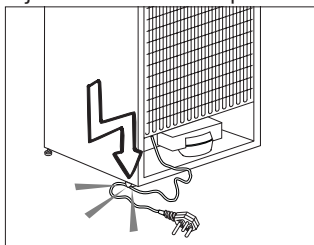
## 1.1. Sécurité générale

- Les personnes présentant un handicap physique, sensoriel ou mental ou encore celles manquant d'expérience ou de connaissances appropriées, ou les enfants doivent éviter d'utiliser, de se rapprocher, de jouer ou de rentrer à l'intérieur de ce produit.
- L'utilisation non contrôlée et le non-respect des consignes énoncées ci-dessus constituent un réel danger !
- Débranchez l'appareil si une panne survient alors qu'il est en cours d'utilisation.
- En cas de dysfonctionnement, n'utilisez pas l'appareil jusqu'à ce qu'il soit réparé par un agent de service agréé. Risque de choc électrique !
- Branchez l'appareil à une prise mise à la terre, protégée par un fusible conforme aux valeurs figurant sur la plaque signalétique. Faites appel à un électricien qualifié pour la mise à la terre de l'appareil. Notre société ne peut pas être tenue pour responsable des dommages résultant de la non utilisation du produit avec une prise mise à la terre conformément aux réglementations locales.
- Débranchez l'appareil lorsque vous ne l'utilisez pas.



## Instructions en matière de sécurité et d'environnement

- N'aspergez pas l'appareil et n'y versez pas de l'eau lorsque vous le lavez! Risque de choc électrique !
- Ne touchez jamais la prise avec des mains mouillées !
- Ne débranchez jamais l'appareil en tirant sur le câble. Débranchez-le toujours en le tenant par la fiche.



- Évitez de brancher le réfrigérateur lorsque la prise de courant est mal fixée.
- Ne branchez jamais votre réfrigérateur à des systèmes d'économies d'énergie. Ces systèmes présentent des risques pour votre appareil.
- Débranchez l'appareil pendant les procédures d'installation, d'entretien, du nettoyage et de réparation.
- Contactez toujours un **Agent de service agréé** pour l'installation de l'appareil et la réalisation des branchements électriques. Le fabricant décline toute responsabilité pour les dommages causés par la réalisation de ces procédures par des personnes non autorisées.
- Ne mangez pas de cônes de crème glacée ou des glaçons immédiatement après les avoir sortis du compartiment de congélation ! Cela pourrait provoquer des engelures dans votre bouche !

- Ne touchez pas les aliments congelés avec les mains mouillées ! Ils peuvent coller à vos mains !
- Ne posez pas de boissons en bouteilles ou en cannettes dans le congélateur. Elles risquent d'exploser !
- N'utilisez jamais de vapeur ni de matériel de nettoyage à vapeur pour nettoyer ou décongeler le réfrigérateur. Tout contact entre la vapeur et les éléments sous tension de votre réfrigérateur peut entraîner un court-circuit ou un choc électrique !
- Pour accélérer le processus de décongélation, n'utilisez pas d'outils mécaniques ou de dispositifs autres que ceux recommandés par le fabricant.
- N'utilisez jamais les pièces de votre réfrigérateur telles que la porte et le tiroir, comme un support ou une marche. Une telle utilisation de l'appareil peut l'emmener à balancer ou endommager ses parties.
- Évitez d'endommager les pièces où circule le liquide réfrigérant avec des outils de perforation ou de coupe. Le liquide réfrigérant qui pourrait s'échapper si les canalisations de gaz de l'évaporateur, les rallonges de tuyau ou les revêtements de surface étaient percés, peut irriter la peau et provoquer des blessures aux yeux.
- Ne laissez aucun objet couvrir ou obstruer les orifices de ventilation du réfrigérateur.
- Placez les boissons alcoolisées verticalement, dans des récipients convenablement fermés.

## Instructions en matière de sécurité et d'environnement

- N'utilisez pas de pulvérisateur à gaz à proximité de l'appareil car cela pourrait causer un incendie ou une explosion !
- Les articles inflammables ou les produits contenant des gaz inflammables (par ex. : aérosols) ainsi que les matériaux explosifs ne doivent jamais être conservés dans l'appareil.
- Ne placez pas de récipient contenant de liquides au-dessus de l'appareil. Les projections d'eau sur les pièces électriques peuvent causer un choc électrique ou un risque d'incendie.
- Évitez de ranger les éléments qui nécessitent un réglage précis de la température (tels que les vaccins, les médicaments sensibles à la chaleur, les outils scientifiques, etc.) dans le réfrigérateur.
- Si vous n'allez pas utiliser l'appareil pendant une longue période, débranchez-le et retirez tous les aliments l'intérieur.
- Si le réfrigérateur émet une lumière bleue, ne la regardez pas en utilisant des outils optiques.
- L'exposition du produit à la pluie, la neige, le soleil ou le vent présente des risques en matière de sécurité électrique.
- Avec des appareils équipés de commandes mécaniques (thermostat), patientez 5 minutes avant de rebrancher l'appareil après l'avoir débranché.
- Ne surchargez pas le réfrigérateur. Les objets dans le réfrigérateur peuvent tomber lorsque vous ouvrez la porte, causant des blessures et des dommages. Des problèmes similaires peuvent survenir si vous placez des objets au-dessus de l'appareil.
- Si l'appareil possède une poignée de porte, ne tirez pas dessus pour déplacer l'appareil. La poignée peut se desserrer.
- Soyez prudent pour ne pas coincer vos doigts ou toute autre partie de votre corps dans les pièces mobiles du réfrigérateur.
- Ne placez pas vos doigts ou tout autre corps étranger dans la machine à glace lorsqu'elle est en marche.


### 1.1.1 Mise en garde concernant les hydrocarbures

- Si le système de refroidissement de votre appareil contient du R600a : Ce gaz est inflammable. Par conséquent, veillez à ne pas endommager le système de refroidissement ou la tuyauterie pendant l'utilisation et le transport. En cas de dommage, tenez l'appareil à l'écart de potentielles sources de feu, susceptibles de l'enflammer et aérez la pièce dans laquelle est installé l'appareil.



Si l'appareil est endommagé et vous voyez une fuite de gaz, tenez-vous à l'écart du gaz. Au contact de la peau, il peut entraîner des engelures. (notamment le R134)

## Instructions en matière de sécurité et d'environnement

	Ignorez cet avertissement si le système de refroidissement de votre appareil contient du R134a.
	Le type de gaz utilisé dans l'appareil est mentionné sur la plaque signalétique située sur la paroi gauche à l'intérieur du réfrigérateur.
	<b>AVERTISSEMENT :</b> Ne jetez jamais l'appareil dans du feu pour sa mise au rebut.

### 1.1.2 Pour les appareils avec distributeur d'eau/machine à glaçons

- La pression de l'eau froide à l'entrée ne doit pas excéder 90 psi (620 kPa). Si votre pression d'eau dépasse 80 psi (550 kPa), utilisez une soupape de limitation de pression sur votre réseau de conduite. Si vous ne savez pas comment vérifiez la pression de l'eau, demandez l'assistance d'un plombier professionnel.
- En cas de risque d'impact causé par d'eau dans votre installation, utilisez toujours un dispositif de protection anti coup de bélier. Contactez un plombier professionnel si vous n'êtes pas certain(e) que votre installation présente un risque d'effet coup de bélier.
- Ne procédez pas à l'installation de l'arrivée d'eau chaude.
- Prenez les mesures nécessaires contre le risque de gel des tuyaux.
- Utilisez uniquement de l'eau potable.

- La plage de température de fonctionnement est de 0.6 °C (33 °F) au minimum et 38 °C (100 °F) au maximum.



### **AVERTISSEMENT :**

Ne branchez jamais l'appareil à un réseau d'eau froide, lorsque la pression est supérieure ou égale à 550kPa (80 psi).

### 1.2. Utilisation préconisée

- Cet appareil est destiné à un usage ménager. Il n'est pas indiqué pour une utilisation à des fins commerciales et ne doit pas être utilisé à des fins autres que celles prévues.
- Il ne doit être utilisé que pour conserver des aliments.
- Le fabricant n'assume aucune responsabilité pour les dommages résultant de l'utilisation et du transport inappropriés.
- Les pièces de rechange d'origine seront disponibles jusqu'à 10 ans après la date d'achat de l'appareil.

### 1.3. Sécurité des enfants

- En cas de verrou sur la porte de l'appareil, gardez la clé hors de la portée des enfants.
- Ne laissez pas les enfants jouer avec l'appareil.

## Instructions en matière de sécurité et d'environnement



**DANGER :**  
Avant de mettre au rebut votre ancien réfrigérateur ou congélateur :

- Les enfants peuvent s'y enfermer.
- Retirez les portes.
- Laissez les étagères pour éviter que les enfants accèdent facilement à l'intérieur de l'appareil.

### 1.4. Conformité avec la directive DEEE et mise au rebut de l'appareil usagé :



Ce produit est conforme à la directive européenne concernant les appareils électriques et électroniques (2012/19 UE). Il porte un symbole de classification pour la mise au rebut des équipements électriques et

électroniques (DEEE). Cet appareil a été fabriqué avec des pièces et du matériel de qualité supérieure susceptibles d'être réutilisés et adaptés au recyclage. Par conséquent, évitez de mettre l'appareil au rebut aux côtés des ordures ménagères à la fin de sa durée de vie. Transportez-le vers un point de collecte destiné au recyclage des équipements électriques et électroniques. Consultez les autorités de votre localité pour plus d'informations sur ces points de collecte.

### 1.5. Conformité avec la directive LdSD :

L'appareil que vous avez acheté est conforme à la Directive LdSD de L'Union européenne (2011/65/UE). Il ne comporte pas les matières dangereuses et interdites mentionnées dans la Directive.

### 1.6. Informations relatives à l'emballage

- Les matériaux d'emballage de cet appareil sont fabriqués à partir de matériaux recyclables, conformément à notre réglementation nationale en matière d'environnement. Ne jetez pas les matériaux d'emballage avec les ordures ménagères normales ou d'autres types de déchets. Transportez ces matériaux vers un point de collecte prévu par les autorités locales.

## Instructions en matière de sécurité et d'environnement

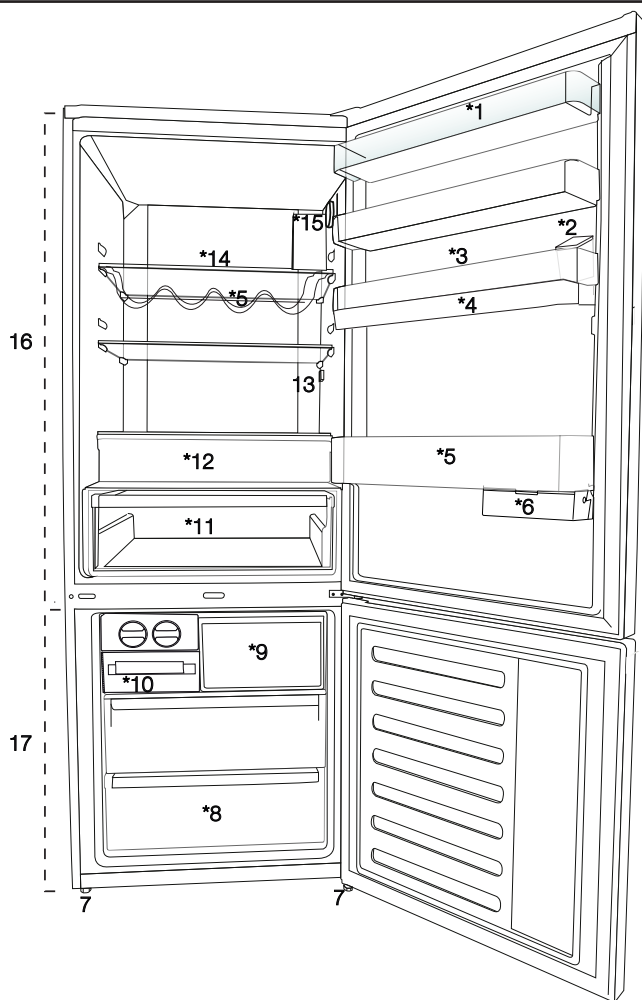


### **DANGER :**

#### **Risque d'incendie ou d'explosion :**

- Cet appareil utilise un réfrigérant inflammable.
- N'utilisez pas d'objets mécaniques pour dégivrer le réfrigérateur.
- N'utilisez pas de produits chimiques pour le nettoyage.
- Évitez de percer le conduit du réfrigérant.
- Si le conduit du réfrigérant est percé, faites-le uniquement réparer par un agent de service agréé.
- Veuillez consulter le Manuel d'utilisation/de réparation avant de nettoyer l'appareil. Veuillez respecter toutes les précautions de sécurité.
- Éliminez votre appareil dans le respect de la réglementation fédérale ou locale.

## 2 Votre réfrigérateur



1. Balconnet de la porte du compartiment réfrigérateur
2. Opercule du réservoir d'eau
3. Réservoir du distributeur d'eau
4. Bac à Oeufs
5. Clayette range-bouteilles
6. Boîte de stockage coulissante
7. Pieds réglables
8. Compartiment congélation rapide
9. Compartiment de congélation rapide
10. Bac à glaçons et banque de glace
11. Bac à légumes
12. Compartiment zéro degré
13. Éclairage intérieur
14. Balconnet de la vitre du compartiment réfrigérateur
15. Bouton de réglage de température
16. Compartiment réfrigérateur
17. Compartiment congélateur



**\*En option :** Les images présentées dans ce manuel sont fournies à titre indicatif et elles peuvent ne pas correspondre exactement à votre appareil. Si votre appareil ne dispose pas des parties citées, alors l'information s'applique à d'autres modèles.

### 3.1. Lieu idéal d'installation

Contactez le service agréé pour l'installation de votre réfrigérateur. Pour préparer l'installation du réfrigérateur, lisez attentivement les instructions du manuel d'utilisation et assurez-vous que les équipements électriques et d'approvisionnement d'eau sont installés convenablement. Si non, contactez un électricien et un plombier pour effectuer les réparations nécessaires.



**AVERTISSEMENT :** Le fabricant ne sera pas tenu responsable en cas de problèmes causés par des travaux effectués par des personnes non autorisées.



**AVERTISSEMENT :** Débranchez le câble d'alimentation du réfrigérateur pendant l'installation. Le non-respect de cette consigne peut entraîner la mort ou des blessures graves !



**AVERTISSEMENT :** Si le cadre de la porte est trop étroit pour laisser passer l'appareil, retirez la porte et faites passer l'appareil sur les côtés ; si cela ne fonctionne pas, contactez le service agréé.

- Placez l'appareil sur une surface plane pour éviter les vibrations.
- Placez le produit à 30 cm du chauffage, de la cuisinière et des autres sources de chaleur similaires et à au moins 5 cm des fours électriques.
- N'exposez pas le produit directement à lumière du soleil et ne le laissez pas dans des environnements humides.
- Le bon fonctionnement de votre réfrigérateur nécessite la bonne circulation de l'air.
- Si le réfrigérateur est placé dans un encastrement mural, assurez-vous de laisser un espace d'au moins 5 cm avec le plafond et le mur.
- Ne placez pas le réfrigérateur dans des environnements avec des températures inférieures à -5 °C.

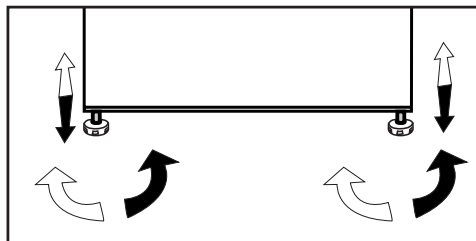
### 3.2. Fixation des cales en plastique

Utilisez les cales en plastiques fournies avec le réfrigérateur pour créer une circulation d'air suffisante entre le réfrigérateur et le mur.

1. Pour fixer les cales, retirez les vis du réfrigérateur et utilisez celles fournies avec les cales,
2. Fixez 2 cales en plastique sur le couvercle de ventilation tel qu'illustré par l'image.

### 3.3. Réglage des pieds

Si le réfrigérateur n'est pas équilibré, réglez les pieds avant en les tournant vers la gauche ou la droite.



## Installation

### 3.4. Branchement électrique

	<b>AVERTISSEMENT</b> : Ne branchez pas le réfrigérateur sur une rallonge ou une multiprise.
	<b>AVERTISSEMENT</b> : Les câbles d'alimentation endommagés doivent être remplacés par le service agréé.
	Lorsque deux réfrigérateurs sont installés côte à côte, ils doivent être séparés par au moins 4 cm.

- Notre entreprise ne sera pas tenue responsable de tout dommage résultant de l'utilisation de l'appareil sans prise de mise à la terre ou branchement électrique conforme à la norme nationale en vigueur.
- Gardez la fiche du câble d'alimentation à portée de main après l'installation.
- N'utilisez pas de fiches multiples avec ou sans câble d'extension entre la prise murale et le réfrigérateur.

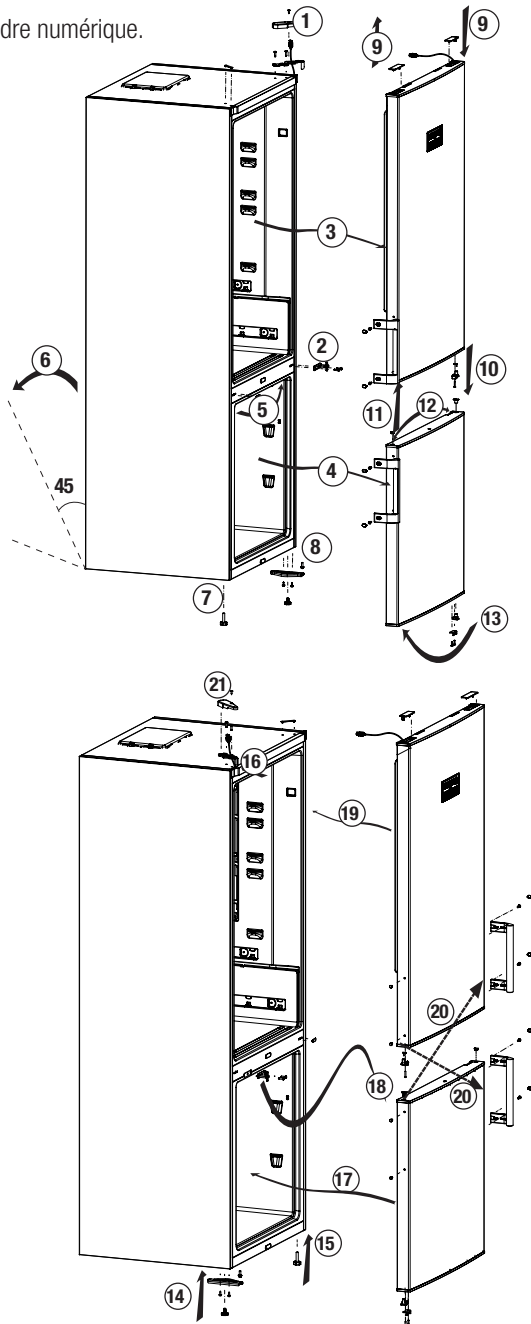
	<b>AVERTISSEMENT</b> :Relatif à la surface chaude Les parois latérales de votre appareil sont équipées de conduits frigorifiques visant à améliorer le système de refroidissement. Le réfrigérant porté à des températures élevées peut jaillir à travers ces zones, entraînant ainsi le réchauffement des parois latérales. Ce phénomène est normal et ne nécessite aucun entretien. Soyez prudent au moment de toucher à ces zones.
------------------------------------------------------------------------------------	------------------------------------------------------------------------------------------------------------------------------------------------------------------------------------------------------------------------------------------------------------------------------------------------------------------------------------------------------------------------------------------------------------------------------------------



## Installation

### 3.5. Réversibilité des portes

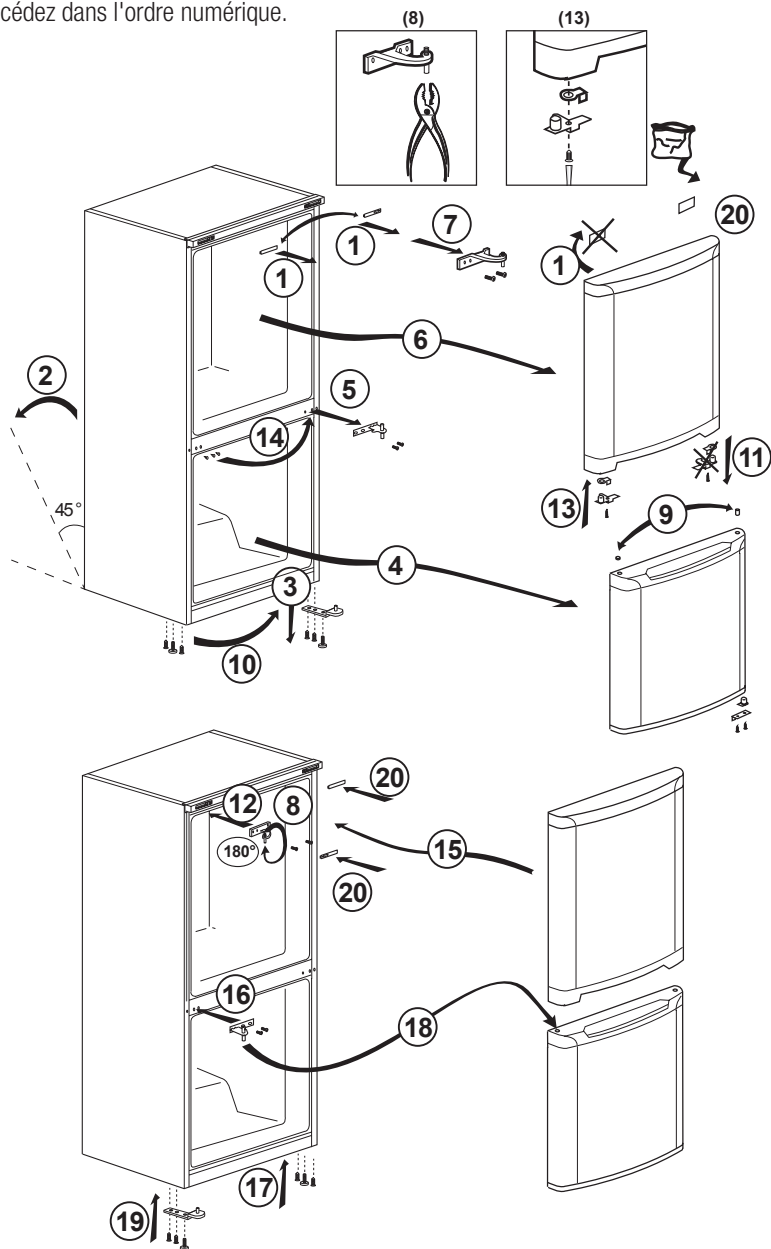
Procédez dans l'ordre numérique.



## Installation

### 3.6. Réversibilité des portes

Procédez dans l'ordre numérique.



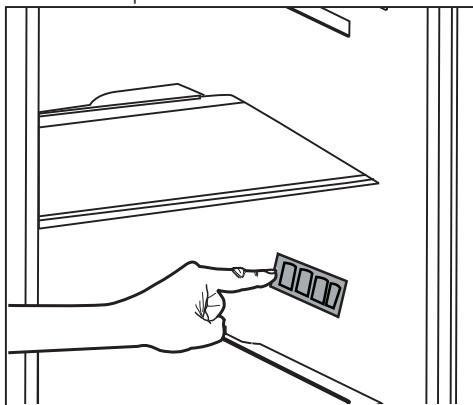
## 4.1. Moyens d'économiser l'énergie



Il est dangereux de connecter l'appareil aux systèmes électroniques d'économie d'énergie, ils pourraient l'endommager.

- Ne laissez pas la porte du réfrigérateur ouverte longtemps.
- Ne conservez pas des aliments ou des boissons chauds dans le réfrigérateur.
- Ne surchargez pas le réfrigérateur, l'obstruction du flux d'air interne réduira la capacité de réfrigération.
- Pour stocker une quantité maximale d'aliments dans le compartiment réfrigérateur, retirez les tiroirs supérieurs et placez-les sur l'étagère pour verres. La consommation énergétique définie de votre réfrigérateur est déterminée lorsque vous retirez le refroidisseur, le bac à glaçons et les tiroirs supérieurs d'une manière qui permettra un chargement maximal. Il est fortement recommandé d'utiliser le tiroir inférieur lors du chargement. Activez la fonction Économie d'énergie pour une meilleure consommation énergétique.
- Évitez de bloquer le flux d'air en plaçant les aliments devant le ventilateur du refroidisseur. Laissez un espace de 3 cm devant la grille de protection du ventilateur lors du chargement des aliments.
- Selon les caractéristiques de l'appareil, le dégivrage des aliments congelés dans le compartiment réfrigérateur assurera l'économie d'énergie et la préservation de la qualité des aliments.
- Placez les aliments dans les étagères à l'intérieur du compartiment réfrigérateur afin de réaliser des économies d'énergie et de conserver les aliments dans un meilleur environnement.
- Veillez à ce que les emballages d'aliments ne soient pas en contact direct avec le capteur de chaleur situé dans le compartiment réfrigérateur. Dans le cas contraire, la consommation énergétique de votre appareil pourrait augmenter.

- Veuillez-vous assurer que les aliments ne sont pas en contact direct avec le capteur de température du compartiment réfrigérateur décrit ci-après.



## 4.2. Première utilisation

Avant d'utiliser votre réfrigérateur, assurez-vous que les installations nécessaires sont conformes aux instructions des sections « Instructions en matière de sécurité et d'environnement » et « Installation ».

- Laissez l'appareil vide en marche pendant 6 heures, et ne l'ouvrez pas sauf en cas de nécessité absolue.



Un son retentit à l'activation du compresseur. Il est également normal d'entendre ce son lorsque le compresseur est inactif, en raison des liquides et des gaz comprimés présents dans le système de réfrigération.



Les bords avant du réfrigérateur peuvent chauffer. Ce phénomène est normal. Ces parties doivent en principe être chaudes afin d'éviter la condensation.



Dans certains modèles, le panneau indicateur se met automatiquement en veilleuse 5 minutes après la fermeture de la porte. Ce panneau s'active à nouveau lorsque la porte est ouverte ou lorsqu'on appuie sur un bouton.

## 5 Utilisation de l'appareil

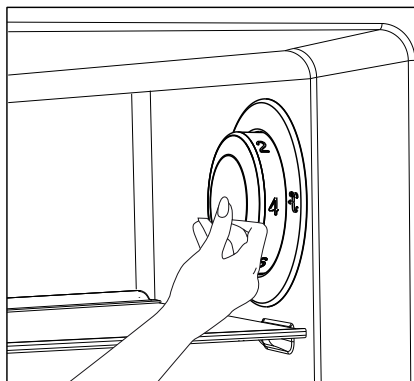
### 5.1. Bouton de réglage de température

La température interne de votre réfrigérateur varie selon les raisons suivantes :

- Températures saisonnières,
- les portes sont ouvertes fréquemment et restent longtemps ouvertes,
- les aliments sont introduits dans le réfrigérateur sans réduction de la température à la température ambiante,
- l'emplacement du réfrigérateur dans la pièce (par ex. exposition à la lumière directe du soleil).
- La variation de la température interne en raison de ces facteurs peut être réglée via le bouton de réglage de la température.

Les chiffres autour du bouton de réglage indiquent les degrés de température comme « °C ».

Si la température ambiante est de 20 °C, il est recommandé de régler la température du réfrigérateur à 4 °C. Sous d'autres températures ambiantes, cette valeur peut être personnalisée.

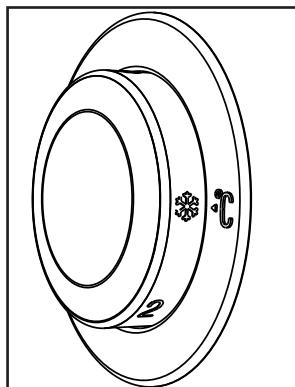


### 5.2. Congélation rapide

Si vous souhaitez congeler de grandes quantités d'aliments frais, placez le bouton de réglage de la température sur la position (❄️) avant d'introduire les aliments dans le compartiment de congélation rapide.

Nous vous recommandons de laisser le bouton à cette position pendant au moins 24 heures pour congeler une quantité maximale d'aliments correspondant à la capacité de congélation stipulée. Veillez surtout à ne pas mélanger les aliments congelés et les aliments frais.

Assurez-vous de placer le bouton de réglage de température à sa position initiale.



## Utilisation de l'appareil

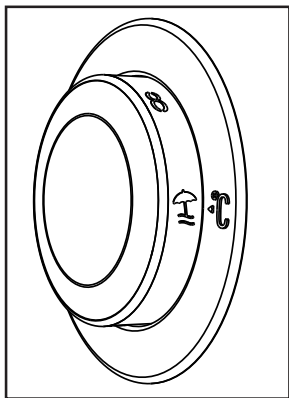
### 5.3. Fonction Vacances

Si les portes de votre réfrigérateur ne sont pas

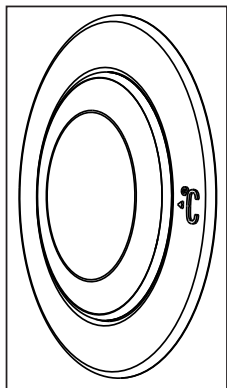
(🔒) ouvertes pendant au moins 12 heures après l'ajustement du bouton de réglage de la température à la position la plus élevée, la fonction Vacances est automatiquement activée.

Les paramètres du bouton peuvent être modifiés afin d'annuler cette fonction.

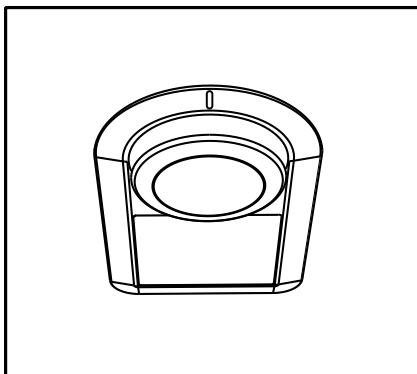
Il n'est pas recommandé de conserver les aliments dans le compartiment réfrigérateur lorsque cette fonction est activée.



- Une fois le réglage terminé, vous pouvez dissimuler le bouton de réglage de la température en l'appuyant à l'intérieur.



### 5.4. Bouton de réglage du thermostat



La température de fonctionnement est réglée à l'aide de la commande de température.



**1 = Réglage de réfrigération le plus faible (Réglage le plus chaud).**

**4 = Réglage de réfrigération le plus fort (Réglage le plus froid).**

La température médiane à l'intérieur du réfrigérateur doit être proche de +5 °C. Veuillez choisir le réglage en fonction de la température désirée.

Vous remarquerez qu'il y a plusieurs températures différentes dans la zone de réfrigération.

La zone la plus froide est située directement au-dessous du bac à légumes.

La température intérieure est également fonction de la température ambiante, la fréquence d'ouverture de la porte et la quantité de denrées stockées à l'intérieur.

Si la porte est ouverte fréquemment, la température intérieure monte.

Pour cette raison, il est recommandé de refermer la porte aussitôt que possible après utilisation.

## Utilisation de l'appareil

La température intérieure de votre réfrigérateur change pour les raisons suivantes:

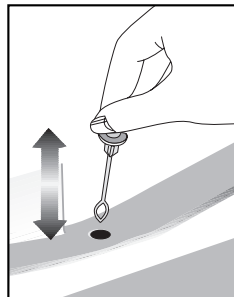
Températures saisonnières,

Ouverture fréquente de la porte et porte laissée ouverte pendant de longues périodes,

Denrées introduites dans le réfrigérateur sans réduction à la température ambiante.

Emplacement du réfrigérateur dans la pièce (par ex. exposition à la lumière directe du soleil)

Vous pouvez régler les différentes températures intérieures dues à de telles raisons en utilisant le thermostat. Les numéros entourant le bouton du thermostat indiquent le niveau de refroidissement.



### 5.5. Décongélation

#### Compartiment réfrigérateur

Le compartiment réfrigérateur se dégivre automatiquement. De l'eau s'écoule et une couche de givre pouvant atteindre 7-8 mm peut se former sur la paroi arrière interne du compartiment du réfrigérateur pendant le processus de refroidissement. Cette formation est normale, provoquée par le système de refroidissement. La formation de givre peut être supprimée par le dégivrage automatique qui s'active régulièrement grâce au système de dégivrage de la paroi arrière. L'utilisateur n'a pas besoin d'éliminer le givre ou les gouttes d'eau manuellement.

L'eau générée par le dégivrage s'écoule dans la rainure de collecte de l'eau et passe dans l'évaporateur par le tuyau de vidange où elle s'évapore.

Le compartiment du surgélateur ne réalise pas de dégivrage automatique pour empêcher la détérioration des denrées congelées.

Le compartiment congélateur se dégivre automatiquement.

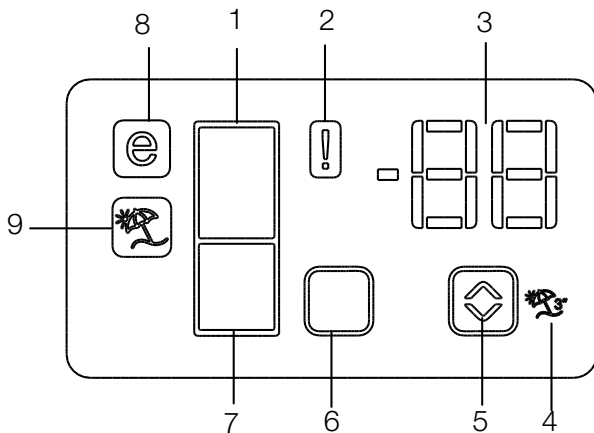
Vérifiez régulièrement le tuyau de vidange pour vous assurer qu'il n'est pas obstrué et débouchez-le en introduisant un bâton dans le trou si nécessaire.

## Utilisation de l'appareil

### 5.6. Bandeau indicateur

Les bandeaux indicateur peuvent varier en fonction du modèle de l'appareil.

Les fonctions sonores et visuelles sur le panneau indicateur vous aident dans l'utilisation de votre réfrigérateur.



1. Indicateur du compartiment réfrigérateur
2. Indicateur d'état de dysfonctionnement
3. Indicateur de température
4. Bouton de la fonction Vacances
5. Bouton de réglage de la température
6. Bouton de sélection du compartiment
7. Indicateur du compartiment congélateur
8. Indicateur mode Économie
9. Indicateur de Fonction Vacances

**\*en option**



**\*en option :** Les chiffres présentés dans ce guide sont à titre indicatif et peuvent ne pas correspondre à votre appareil. Si votre appareil ne dispose pas des parties citées, alors l'information s'applique à d'autres modèles.

## Utilisation de l'appareil

### 1. Indicateur du compartiment réfrigérateur

La lampe du compartiment réfrigérateur s'allume lorsque la température de ce compartiment est réglée.

### 2. Indicateur d'état de dysfonctionnement

Si la capacité de votre réfrigérateur à refroidir est insuffisante ou en cas de dysfonctionnement du capteur, cet indicateur est activé. Lorsque cet indicateur est activé, "E" s'affiche sur l'indicateur de température du compartiment congélateur, et les nombres tels que "1,2,3..." s'affichent sur l'indicateur de température du compartiment réfrigérateur. Ces numéros sur l'indicateur renseignent le personnel d'entretien sur le dysfonctionnement.

### 3. Indicateur de température

Indique la température du compartiment congélateur, réfrigérateur.

### 4. Bouton de la fonction Vacances

Appuyez sur le bouton Vacances pendant 3 secondes pour activer cette fonction.

Si la fonction Vacances est activée, "- -" s'affiche sur l'indicateur de température du compartiment réfrigérateur et aucun refroidissement actif n'est sélectionné sur le compartiment réfrigérateur. Il n'est pas adapté de conserver les denrées dans le compartiment réfrigérateur lorsque cette fonction est activée. D'autres compartiments continuent à se refroidir conformément à leur température réglée.

Pour annuler cette fonction, appuyez à nouveau sur le bouton **Vacances**.

### 5. Bouton de réglage de la température

Modifie la température du compartiment concerné entre - 24 °C, -18 °C et 8 °C.1 °C.

### 6. Bouton de sélection du compartiment

Bouton de sélection : Appuyez sur le bouton de sélection du compartiment pour basculer entre les compartiments réfrigérateur et congélateur.

### 7. Indicateur du compartiment congélateur

La lampe du compartiment congélateur s'allume lorsque la température du compartiment congélateur est réglée.

### 8. Indicateur mode Économie

Indique que le réfrigérateur fonctionne en mode d'économie d'énergie. Cet écran sera actif si la température du compartiment congélateur est réglée sur -18°C.

### 9. Indicateur de Fonction Vacances

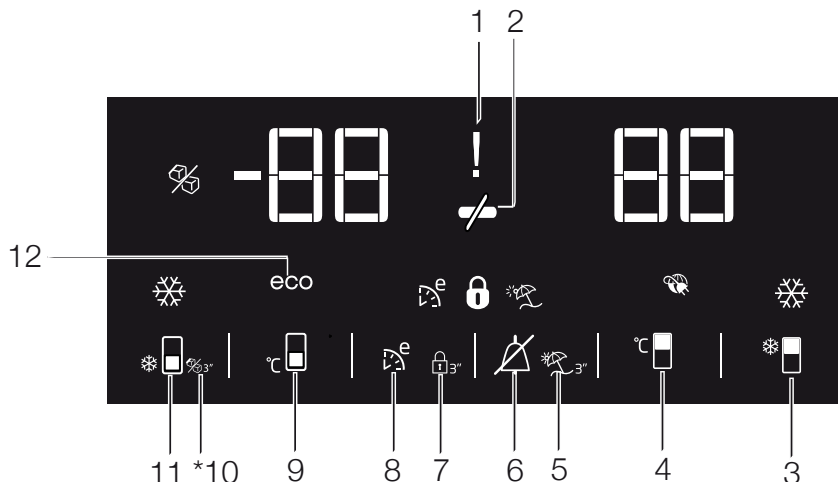
Indique que la fonction Vacances est activée.



## Utilisation de l'appareil

### 5.7. Bandeau indicateur

Le panneau indicateur vous permet de régler la température et de contrôler les autres fonctions liées à votre appareil sans ouvrir la porte du réfrigérateur. Appuyez simplement sur les inscriptions des boutons appropriés pour effectuer le réglage des fonctions.



#### 1. Indicateur de Coupure de courant / Température élevée / d'avertissement d'erreur

Cet indicateur (⏏) s'allume en cas de coupure de courant, d'échecs de température élevée et de messages d'erreur. Pendant les coupures de courant prolongées, le niveau de température le plus élevé atteint par le compartiment congélateur clignote sur l'affichage numérique. Après avoir vérifié les aliments situés dans le compartiment congélateur (❄), appuyez sur le bouton de désactivation d'alarme pour supprimer le message d'erreur.

#### 2. Fonction Économie d'énergie (Arrêt de l'affichage) :

Si les portes du réfrigérateur restent fermées pendant longtemps, la fonction Économie d'énergie s'active automatiquement et le symbole d'économie d'énergie s'allume. (⏏)

Si la fonction Économie d'énergie est active, tous les symboles de l'écran hormis celui de l'Économie d'énergie s'éteignent. Lorsque la fonction Économie d'énergie est active, si vous appuyez sur un bouton quelconque ou ouvrez la porte, cette fonction se désactive et les symboles affichés redeviennent normaux.



**\*en option :** Les chiffres présentés dans ce guide sont à titre indicatif et peuvent ne pas correspondre à votre appareil. Si votre appareil ne dispose pas des parties citées, alors l'information s'applique à d'autres modèles.

## Utilisation de l'appareil

La fonction Économie d'énergie est activée à la sortie du réfrigérateur de l'usine et ne peut être annulée.

### 3. Fonction de réfrigération rapide

Ce bouton est doté de deux fonctions. Appuyez brièvement sur ce bouton pour activer ou désactiver la fonction de refroidissement rapide. L'indicateur de refroidissement rapide s'éteint et l'appareil retourne à son réglage normal. (🔌)



Utilisez la fonction de refroidissement rapide lorsque vous souhaitez refroidir rapidement les aliments placés dans le compartiment réfrigérateur. Si vous souhaitez refroidir de grandes quantités d'aliments frais, nous vous recommandons d'activer cette fonction au préalable.



Après 8 heures de temps où lorsque le compartiment réfrigérateur atteint la température souhaitée, la fonction de refroidissement rapide s'annule automatiquement si vous ne le faites pas.



Si vous appuyez sur le bouton de refroidissement rapide de façon répétée à des intervalles courts, alors le système de protection du circuit électronique s'activera et le compresseur ne démarrera pas automatiquement.



Cette fonction n'est pas reprise lorsque le courant est rétabli après une panne de courant.

### 4. Bouton de réglage de la température du compartiment réfrigérateur

Appuyez sur ce bouton pour régler la température du compartiment réfrigérateur à 8, 7, 6, 5, 4, 3, 2, 8 respectivement. Appuyez sur ce bouton pour définir la température souhaitée pour le compartiment du réfrigérateur. (🔌)

### 5. Fonction Vacances

Pour activer la fonction Vacances, il suffit d'appuyer sur ce bouton (🌴) pendant 3 secondes, et l'indicateur du mode Vacances (🌴) s'active. Si la fonction Vacances est activée, " - " s'affiche sur l'indicateur de température du compartiment réfrigérateur et aucun refroidissement actif n'est sélectionné sur le compartiment réfrigérateur. Il n'est pas adapté de conserver les denrées dans le compartiment réfrigérateur lorsque cette fonction est activée. D'autres compartiments doivent continuer à se refroidir conformément à leur température réglée.

Pour désactiver cette fonction, appuyez à nouveau sur le bouton de la **fonction Vacances**.

### 6. Avertissement de désactivation d'alarme :

En cas d'alarme de coupure de courant / température élevée, après avoir vérifié les aliments stockés dans le compartiment congélateur, appuyez sur le bouton de désactivation d'alarme (🔊) pour supprimer le message d'avertissement.


### 7. Key lock (Verrouillage des commandes)

Appuyez simultanément sur le bouton Key lock (🔒) pendant 3 secondes. Symbole de verrouillage des commandes (🔒) s'allume et le mode Verrouillage des commandes est activé. Les boutons ne fonctionneront pas si le mode Verrouillage des commandes est actif. Appuyez simultanément sur le bouton Key lock pendant 3 secondes à nouveau. Le symbole de verrouillage des commandes s'éteint et le mode Verrouillage des commandes est désactivé.

Appuyez sur le bouton **key lock** si vous souhaitez éviter toute modification du réglage de température du réfrigérateur (🔒).


## Utilisation de l'appareil

### 8. Eco fuzzy


Appuyez et maintenez enfoncé le bouton Eco fuzzy pendant 1 seconde pour activer la fonction Eco fuzzy. Le réfrigérateur commence à fonctionner dans le mode le plus économique au moins 6 heures plus tard, et l'indicateur d'utilisation économique s'allume une fois que la fonction est active . Appuyez et maintenez enfoncé le bouton Eco fuzzy pendant 3 secondes pour désactiver la fonction Eco fuzzy.

Ce témoin s'allume après 6 heures lorsque le bouton Eco fuzzy est activé.

### 9. Bouton de réglage de la température du compartiment de congélation

Appuyez sur ce bouton pour régler la température du compartiment de congélation à -18,-19,-20,-21,-22,-23,-24, -18... respectivement. Appuyez sur ce bouton pour définir la valeur de température souhaitée pour le compartiment du congélateur. 


### 10. Indicateur du distributeur de glaçons désactivé

Indique si le distributeur de glaçons est activé ou non.  Si l'indicateur est activé, alors le distributeur de glaçons ne fonctionne pas. Pour activer le distributeur de glaçons à nouveau, maintenez le bouton Marche-Arrêt enfoncé pendant 3 secondes.



L'arrivée d'eau du réservoir à eau sera arrêtée en sélectionnant cette fonction. Toutefois, les glaçons déjà formés peut être retirés du distributeur.

### 11. Bouton de la fonction congélation rapide / Bouton Marche/Arrêt du distributeur de glaçons

Appuyez sur ce bouton pour activer ou désactiver la fonction de congélation rapide. Lorsque vous activez la fonction, le compartiment congélateur sera refroidi à une température inférieure à la valeur de consigne. 

Pour activer et désactiver le distributeur de glaçons, maintenez le bouton enfoncé pendant 3 secondes.



Utilisez la fonction de congélation rapide lorsque vous souhaitez congeler rapidement les aliments placés dans le compartiment réfrigérateur. Si vous souhaitez congeler de grandes quantités d'aliments, nous vous recommandons d'activer cette fonction au préalable.




Après 4 heures de temps ou lorsque le compartiment réfrigérateur atteint la température souhaitée, la fonction de congélation rapide s'annulera automatiquement si vous ne le faites pas.



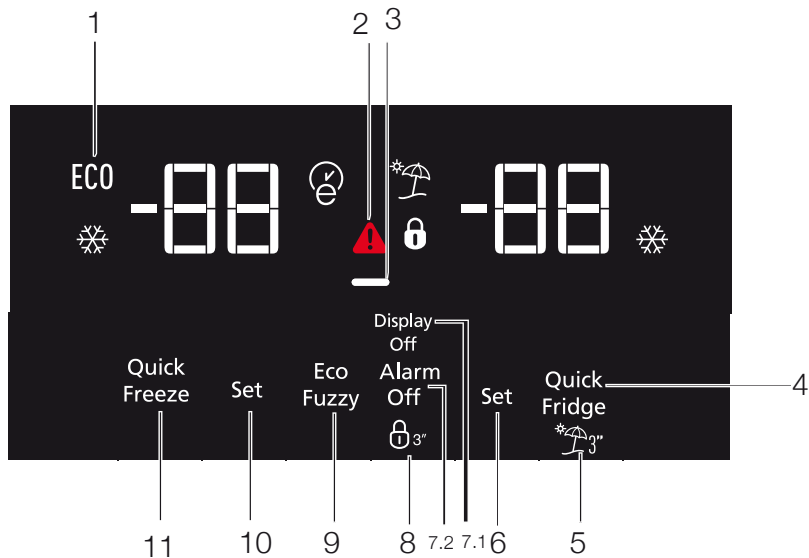
Cette fonction n'est pas reprise lorsque le courant est rétabli après une panne de courant.

### 12. Voyant d'économie d'énergie

Indique que le réfrigérateur fonctionne en mode d'économie d'énergie.  Cet indicateur est activé si la température du compartiment congélateur est réglée sur -18 ou si le refroidissement à économie d'énergie est réalisé suite à l'activation de la fonction Eco Extra.



Le voyant d'économie d'énergie s'éteint lorsque la fonction de réfrigération rapide ou de congélation rapide est sélectionnée.



### 1. Économie

Ce symbole s'allume lorsque le compartiment congélateur est réglé sur  $-18^{\circ}\text{C}$  comme la valeur de réglage la plus économique (ECO). Le voyant d'économie d'énergie s'éteint lorsque les fonctions de réfrigération rapide ou de congélation rapide sont sélectionnées.

### 2. Température élevée / voyant d'avertissement d'erreur

Ce voyant (⚠) s'allume en cas de défaut de température élevée et d'avertissements d'erreur.

### 3. Fonction Économie d'énergie (Arrêt de l'affichage)

Si les portes de l'appareil restent fermées pendant longtemps, la fonction Économie d'énergie s'active automatiquement et le symbole d'Économie d'énergie s'allume. Si la fonction Économie d'énergie est active, tous les symboles de l'écran hormis celui de l'Économie d'énergie s'éteindront. Lorsque la Fonction Économie d'énergie est active, si vous appuyez sur un bouton quelconque ou ouvrez la porte, cette fonction sera désactivée et les symboles qui se trouvent à l'écran redeviendront normaux.



**\*en option** : Les chiffres présentés dans ce guide sont à titre indicatif et peuvent ne pas correspondre à votre appareil. Si votre appareil ne dispose pas des parties citées, alors l'information s'applique à d'autres modèles.


## Utilisation de l'appareil

La fonction Économie d'énergie est activée à la sortie de l'appareil de l'usine et ne peut être annulée.


### 4. Congélation rapide

Appuyez sur le bouton no.(4) pour l'opération de congélation rapide. Le voyant de congélation rapide

() s'allume.

Le voyant de congélation rapide s'allume lorsque la fonction de congélation rapide est activée et le voyant de température du compartiment réfrigérateur affiche -27. Pour annuler cette fonction, appuyez à nouveau sur le bouton Congélation rapide (). L'indicateur de congélation rapide s'éteindra et le réfrigérateur retournera à son réglage normal. Après 24 heures, la fonction de congélation rapide s'annule automatiquement si vous ne l'avez pas fait avant. Si vous souhaitez congeler de grandes quantités de produits frais, appuyez sur le bouton Congélation rapide avant d'introduire ces produits dans le compartiment de congélation.

### 5. Fonction Vacances


Pour activer la fonction Vacances, appuyez sur le bouton no (4) () pendant 3 secondes.

Le voyant du mode Vacances s'allume.


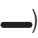

Si la fonction Vacances est activée, " - - " s'affiche sur l'indicateur de température du compartiment réfrigérateur et aucun refroidissement actif n'est sélectionné sur le compartiment réfrigérateur. Il n'est pas adapté de conserver les denrées dans le compartiment réfrigérateur lorsque cette fonction est activée. D'autres compartiments doivent continuer à se refroidir conformément à leur température réglée.

Annulez cette fonction en appuyant à nouveau sur le bouton **Fonction Vacances**.

### 6. Réglage de la température du compartiment réfrigérateur

Lorsque vous appuyez sur le bouton no (6), vous pourrez régler la température du compartiment réfrigérateur respectivement sur 8, 7, 6, 5, 4, 3, 2 et 1 () .

### 7.1 Fonction Économie d'énergie (Arrêt de l'affichage)

Le symbole d'économie d'énergie () s'allume et la fonction Économie d'énergie s'active lorsque vous appuyez sur ce bouton () . Si la fonction Économie d'énergie est active, tous les symboles de l'écran hormis celui de l'Économie d'énergie s'éteindront. Lorsque la Fonction Économie d'énergie est active, si vous appuyez sur un bouton quelconque ou ouvrez la porte, cette fonction sera désactivée et les symboles qui se trouvent à l'écran redeviendront normaux. Le symbole d'économie d'énergie s'éteint et la fonction Économie d'énergie est désactivée lorsque vous appuyez à nouveau sur ce bouton () .

### 7.2 Avertissement d'alarme désactivée

En cas de coupure d'électricité/d'alarme de température élevée, appuyez sur le bouton d'alarme désactivée pour annuler l'alarme, après avoir inspecté les aliments placés dans le compartiment congélateur.

## Utilisation de l'appareil

### 8. Verrouillage des commandes

Appuyez simultanément sur le bouton de verrouillage des commandes (🔒) pendant 3 secondes. Symbole de verrouillage des touches

(🔒) s'allume et le mode verrouillage des commandes est activé. Les boutons ne fonctionneront pas si le mode Verrouillage des commandes est actif. Appuyez simultanément sur le bouton Key lock pendant 3 secondes à nouveau. Lorsque l'icône de verrouillage des commandes s'éteint, le mode Verrouillage des commandes est désactivé.

Appuyez sur le bouton **Verrouillage des commandes** si vous souhaitez éviter toute modification du réglage de la température du réfrigérateur (🔒).

### 9. Eco fuzzy

Appuyez et maintenez enfoncé le bouton Eco fuzzy pendant 1 seconde pour activer la fonction Eco fuzzy. Le réfrigérateur commence à fonctionner dans le mode le plus économique au moins 6 heures plus tard et le voyant d'utilisation économique s'allume lorsque la fonction est activée. (🌿). Appuyez et maintenez enfoncé le bouton Eco fuzzy pendant 3 secondes pour désactiver la fonction Eco fuzzy.

Ce témoin s'allume après 6 heures lorsque le bouton Eco fuzzy est activé.

### 10. Réglage de température du compartiment congélateur

C'est ici que s'effectue le réglage de la température du compartiment congélateur. Appuyez sur le bouton no.10 pour régler la température du compartiment congélateur respectivement sur -18, -19, -20, -21, -22, -23 et -24.

### 11. Refroidissement rapide

Le voyant de refroidissement rapide (❄️) s'allume lorsque la fonction de refroidissement rapide est activée et le voyant de température du compartiment réfrigérateur affiche 1. Pour annuler cette fonction, appuyez à nouveau sur le bouton Refroidissement rapide. L'indicateur de refroidissement rapide s'éteindra et le réfrigérateur retournera à son réglage normal. Après 1 heure, la fonction de refroidissement rapide s'annule automatiquement si vous ne l'avez pas fait avant. Si vous souhaitez introduire de grandes quantités de produits frais dans le réfrigérateur, appuyez sur le bouton Refroidissement rapide avant d'introduire ces produits dans le compartiment réfrigérateur.

## Utilisation de l'appareil

### 5.8. Seau à glace

#### (En option)

- Retirez le seau à glace du compartiment congélateur.
- Remplissez-le d'eau.
- Remplacez le seau à glace dans le compartiment congélateur.
- Les glaçons seront prêts après environ deux heures. Retirez le seau à glace du compartiment congélateur et tordez-le légèrement au-dessus du support dans lequel vous souhaitez servir les glaçons. Les glaçons se verseront donc facilement dans le support dans lequel vous souhaitez les servir.

### 5.9. Support d'œufs

Vous pouvez placer le support d'œufs sur la porte ou l'étagère de votre choix. Si vous décidez de le placer sur l'étagère, il est recommandé de le placer sur les étagères inférieures car elles sont plus froides.

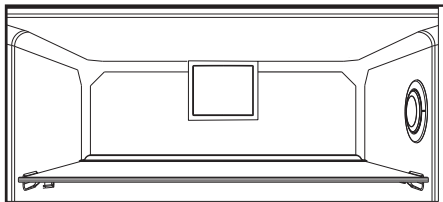


Évitez de placer le support d'œufs dans le compartiment congélateur.

### 5.10. Ventilateur

Le ventilateur a été conçu pour faire circuler de manière homogène l'air froid à l'intérieur de votre réfrigérateur. La durée de fonctionnement du ventilateur varie en fonction des propriétés de votre appareil.

Dans certains réfrigérateurs, le ventilateur fonctionne uniquement avec compresseur, dans d'autres systèmes de commande, il permet de déterminer la durée de fonctionnement basée sur le besoin de refroidissement.



### 5.11. Bac à légumes

#### (En option)

Le bac à légumes du réfrigérateur est conçu pour conserver les légumes frais en préservant l'humidité. Pour cela, la circulation de la totalité de l'air froid est intensifiée dans le bac à légumes.

### 5.12. Compartiment zéro degré

#### (En option)

Utilisez ce compartiment pour conserver de l'épicerie fine à des températures faibles, ou des produits carnés destinés à une consommation immédiate.

Le compartiment Zéro degré est l'endroit le plus froid où vous pouvez conserver les aliments tels que les produits laitiers, la viande, le poisson et la volaille dans des conditions idéales. Les légumes et/ou fruits ne doivent pas être conservés dans ce compartiment.

### 5.13. Éclairage bleu

#### (En option)

Les denrées conservées dans les bacs à légumes sont éclairées par une lumière bleue qui, grâce aux effets de sa longueur d'onde, permet aux fruits et légumes de continuer la photosynthèse et ainsi de conserver leur fraîcheur et leur teneur en vitamines.

## Utilisation de l'appareil

### 5.14. Balconnet de porte amovible

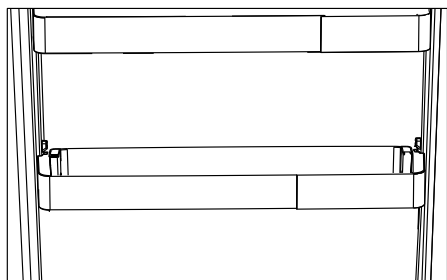
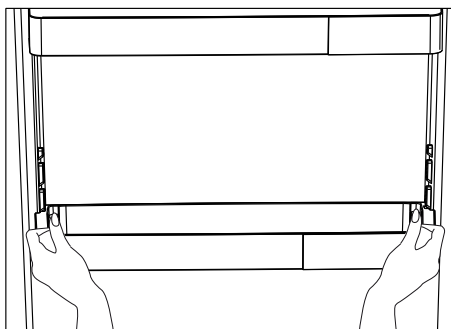
#### (En option)

Le balconnet de porte amovible peut être fixé de 3 manières différentes.

Pour déplacer le balconnet, appuyez uniformément sur les boutons situés sur le côté. Ainsi, le balconnet est amovible.

Déplacez le balconnet vers le haut ou vers le bas.

Une fois que ce dernier se trouve dans la position de votre choix, relâchez les boutons. Assurez-vous que le balconnet est fixé à nouveau à la position initiale.

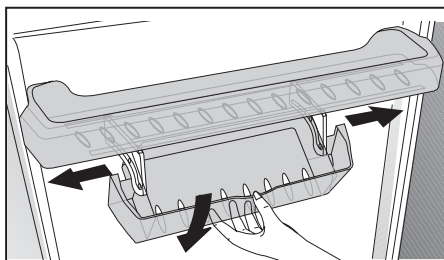


### 5.15. Boîte de stockage coulissante

#### (En option)

Cet accessoire a été conçu dans le but de renforcer les capacités des balconnets de porte.

Grâce à sa capacité à se déplacer latéralement, elle vous permet de disposer facilement de longues bouteilles, des bocaux ou des boîtes que vous placez dans le range-bouteilles inférieur.





## Utilisation de l'appareil

### 5.16. Bac à légumes à humidité contrôlée

#### (En option)

Grâce à la fonction de contrôle de l'humidité, la quantité d'humidité de légumes et de fruits est maintenue sous contrôle. Cette fonction assure également une période de fraîcheur prolongée pour les aliments.

Il est recommandé de ne pas conserver les légumes à feuilles vertes, tels que les feuilles de laitue, les épinards, ainsi que les légumes similaires générant une perte d'humidité, sur leurs racines, mais en position horizontale dans le bac à légumes, autant que possible.

Lorsque vous stockez les légumes, placez les légumes lourds et durs au fond du bac et les légumes légers et doux au-dessus, en tenant compte des poids spécifiques de légumes.

Ne placez pas les légumes dans le bac à légumes lorsqu'ils sont encore dans les sacs en plastique. Lorsque vous les laissez dans les sacs en plastique, ces légumes pourrissent en un laps de temps. En cas de mélange de légumes non recommandé, utilisez des matériaux d'emballage tels que le papier qui possède une certaine porosité en termes d'hygiène.

Évitez de placer des fruits qui ont une production de gaz à haute teneur en éthylène tels que la poire, l'abricot, la pêche et en particulier la pomme dans le même bac à légumes que d'autres légumes et fruits. Le gaz d'éthylène provenant de ces fruits pourrait accélérer la maturité d'autres légumes et fruits qui pourraient pourrir en un laps de temps.

### 5.17. Machine à glace automatique (En option)

La machine à glace automatique vous permet de faire facilement des glaçons dans votre réfrigérateur. Pour obtenir des glaçons à partir de la machine à glace, retirez le réservoir d'eau du compartiment réfrigérateur, remplissez-le d'eau et remplacez-le.

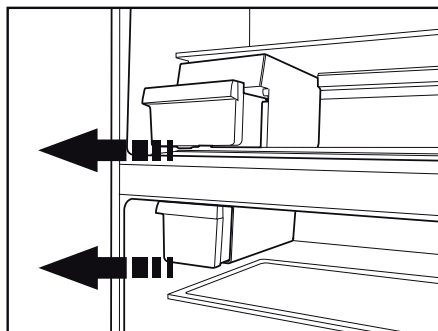
Les premiers glaçons seront prêts dans environ 2 heures dans le tiroir à glace situé dans le compartiment réfrigérateur.

Après avoir placé le réservoir rempli, vous pouvez obtenir environ 60 à 70 cubes de glace jusqu'à ce qu'il soit entièrement vide.

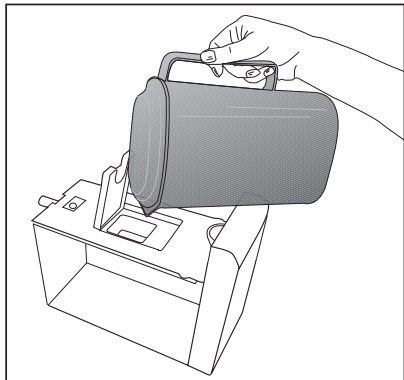
Si l'eau contenue dans le réservoir date de 2 à 3 semaines, veuillez la remplacer.



Dans les réfrigérateurs équipés de machine à glace automatique, vous pourriez entendre un son lorsque vous versez la glace. Ce phénomène est tout à fait normal et ne constitue nullement un signe de dysfonctionnement.



## Utilisation de l'appareil



### 5.18. Distributeur et récipient de conservation de glaçons (dans certains modèles)

#### Utilisation du distributeur

Remplissez le distributeur de glaçons avec de l'eau et remettez-le à sa place. Vos glaçons seront prêts dans environ deux heures. Ne pas retirer le distributeur de glaçons de son logement pour prendre de la glace.

Tournez les molettes des réservoirs à glaçons dans le sens des aiguilles d'une montre, de manière à former un angle de 90 degrés.

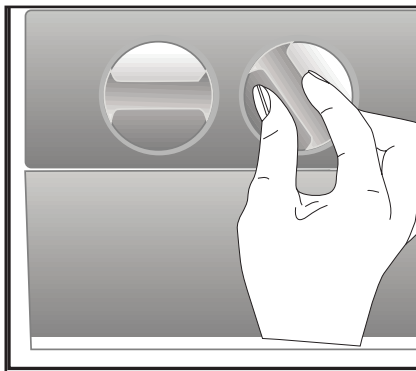
Les glaçons contenus dans les réservoirs tomberont dans le récipient de conservation de glaçons situé en dessous.

Vous pouvez alors sortir le récipient de conservation de glaçons et servir les glaçons.

Si vous le désirez, vous pouvez laisser les glaçons dans leur récipient de conservation.

#### Récipient de conservation de glaçons

Le récipient de conservation de glaçons sert simplement à accumuler les glaçons. Ne versez pas d'eau à l'intérieur. Cela peut le casser.

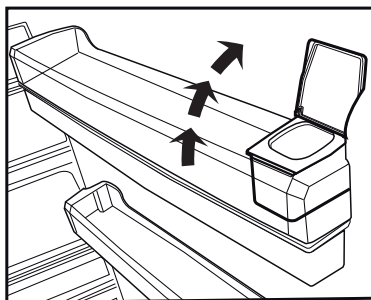
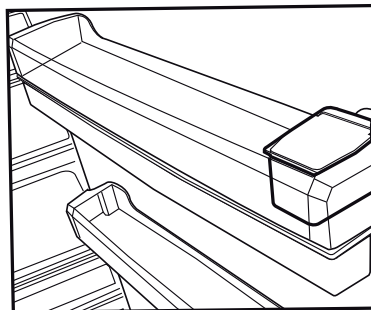
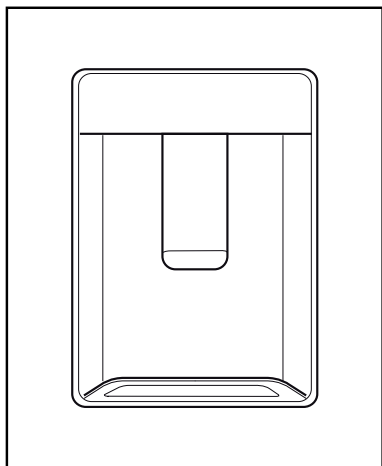


## Utilisation de l'appareil

### 5.19. Distributeur d'eau

#### \*en option

Cette fontaine est très important pour obtenir de l'eau fraîche sans avoir à ouvrir la porte de votre réfrigérateur. Comme vous n'aurez pas à ouvrir fréquemment la porte de votre réfrigérateur, cela vous permettra d'économiser de l'énergie.



### 5.20. Utilisation du distributeur

Appuyez sur le bouton de la fontaine avec votre verre. La fontaine cessera de fonctionner lorsque vous aurez relâché le bouton.

Pendant le fonctionnement de la fontaine, vous pouvez obtenir une quantité maximale en appuyant à fond sur le bouton. N'oubliez pas que la quantité de liquide obtenue est fonction du degré d'appui que vous exercez sur le bouton. A mesure que le niveau d'eau de votre tasse / verre augmente, réduisez doucement la quantité de pression du bouton pour éviter tout risque de débordement. Si vous appuyez légèrement sur le bouton, l'eau s'écoulera ; ce phénomène est tout à fait normal et n'est pas un dysfonctionnement.

#### Remplir le réservoir d'eau de la fontaine frigorifique

Le réservoir d'approvisionnement en eau se trouve dans le balconnet de la porte. Vous pouvez ouvrir le couvercle du réservoir et remplir celui-ci d'eau potable. Refermez ensuite le couvercle.

#### Avertissement !

- Ne remplissez pas le réservoir avec un liquide autre que de l'eau des boissons gazeuses, alcooliques, jus de fruits ou autres ne sont pas adaptés pour être utilisés avec le distributeur d'eau. Si de tels liquides sont utilisés, le distributeur connaîtra un dysfonctionnement et peut être profondément endommagé. La garantie ne couvre pas de telles utilisations. Certaines substances chimiques et certains additifs contenus dans de telles boissons / breuvages peuvent également endommager le réservoir d'eau.

## Utilisation de l'appareil

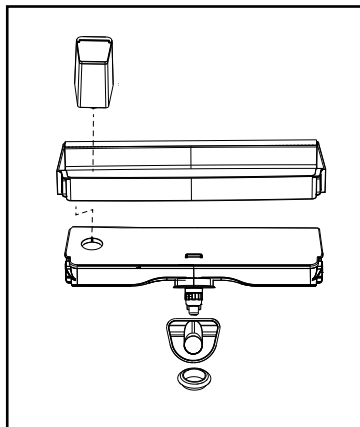
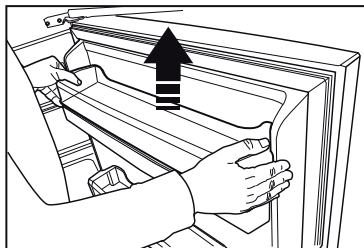
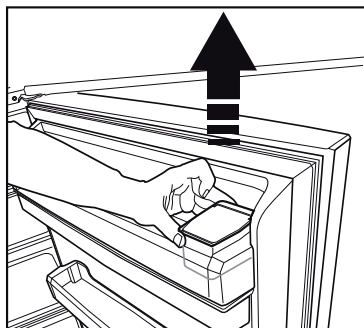
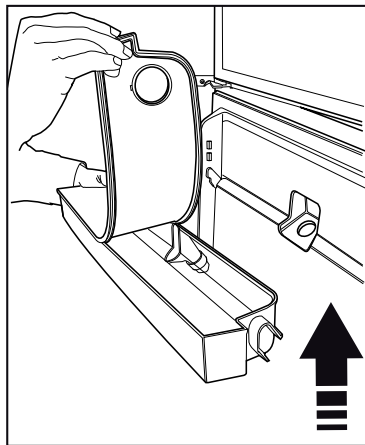
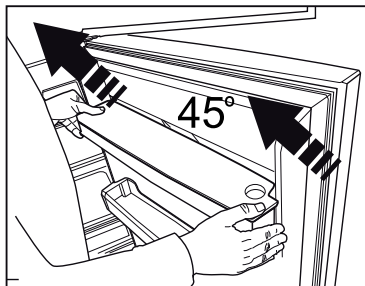
- Utilisez uniquement de l'eau potable propre.
- La capacité du réservoir est de 3 litres; ne dépassez pas la limite.
- Appuyez sur le bouton de la fontaine avec votre verre. Si vous utilisez une tasse jetable, poussez le bouton avec vos doigts à partir de l'arrière de la tasse.

### 5.21. Nettoyer le réservoir d'eau

- Retirez le réservoir d'approvisionnement en eau du balconnet de la porte.
- Retirez le balconnet de la porte en le tenant par les deux côtés.
- Tenez le réservoir par ses deux côtés et retirez-le selon un angle de 45 degrés.
- Retirez le couvercle afin de nettoyer le réservoir.

#### Important :

Le réservoir d'eau et les composants du distributeur d'eau ne peuvent pas être passés au lave-vaisselle.



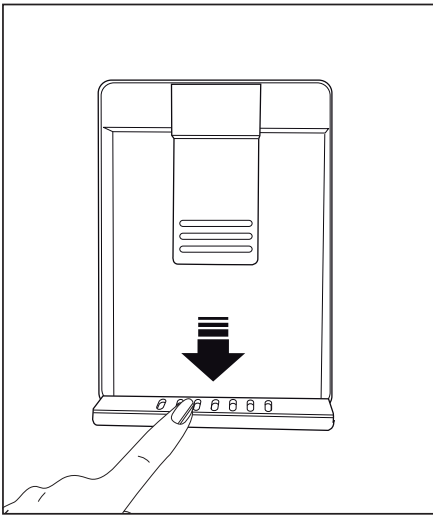
## Utilisation de l'appareil

### 5.22. Bac à eau

L'eau qui s'écoule lors de l'utilisation du distributeur d'eau s'accumule dans le bac de dégivrage.

Retirez la crépine en plastique comme sur le schéma.

Essuyez l'excédent d'eau à l'aide d'un chiffon propre et sec.



## Utilisation de l'appareil

### 5.23. Congélation des produits frais

- Pour conserver la qualité des aliments, les denrées placées dans le compartiment congélateur doivent être congelées le plus rapidement possible, à l'aide de la fonction de congélation rapide.
- Le fait de congeler les denrées à l'état frais prolongera la durée de conservation dans le compartiment congélateur.
- Emballez les aliments dans des emballages sous vide et scellez-les correctement.
- Assurez-vous que les aliments sont emballés avant de les placer dans le congélateur. Utilisez des récipients pour congélateur, du papier aluminium et du papier résistant à l'humidité, des sacs en plastique ou du matériel d'emballage similaire au lieu d'un papier d'emballage ordinaire.



La glace contenue dans le compartiment congélateur dégèle automatiquement.

- Marquez chaque emballage en y écrivant la date avant de le placer au congélateur. Ceci vous permettra de déterminer la fraîcheur de chaque paquet lors des ouvertures du congélateur. Mettez les aliments les plus anciens à l'avant pour vous assurer qu'ils sont utilisés en premier.
- Les aliments congelés doivent être utilisés immédiatement après le dégivrage et ne doivent pas être congelés à nouveau.
- Ne retirez pas de grandes quantités d'aliments au même moment.

### 5.24. Recommandations relatives à la conservation des aliments congelés

Le compartiment doit être réglé à -18 °C minimum.

1. Placez les aliments dans le congélateur le plus rapidement possible pour éviter leur dégivrage.
2. Avant de les faire dégivrer, vérifiez la « date d'expiration » sur l'emballage pour vous assurer de l'état des aliments.
3. Assurez-vous que l'emballage de l'aliment n'est pas endommagé.

Réglage de la température du compartiment congélateur	Réglage de la température du compartiment réfrigéré	Détails
-18°C	4°C	Ceci est le paramètre par défaut recommandé.
-20, -22 ou -24°C	4°C	Ces réglages sont recommandés pour des températures ambiantes excédant 30 °C.
Congélation rapide	4°C	Cet indicateur est utilisé lorsque vous souhaitez congeler vos aliments pendant une courte période. Une fois le processus terminé, l'appareil retourne à son réglage initial.
Inférieure ou égale à -18°C	2°C	Utilisez ces réglages si vous estimez que le compartiment réfrigéré n'est pas assez frais à cause de la température ambiante ou de l'ouverture fréquente de la porte.

## Utilisation de l'appareil

### 5.25. Informations relatives au congélateur

Selon la norme CEI 62552, le congélateur doit être doté d'une capacité de congélation des aliments de 4,5 kg à une température inférieure ou égale à -18 °C en 24 heures pour chaque 100 litres du volume du compartiment congélateur.

Les aliments peuvent être préservés pour des périodes prolongées uniquement à des températures inférieures ou égales à -18 °C. Vous pouvez garder les aliments frais

pendant des mois (dans le congélateur à des températures inférieures ou égales à 18 °C). Les aliments à congeler ne doivent pas être en contact avec ceux déjà congelés pour éviter un dégivrage partiel.

Faites bouillir les légumes et filtrer l'eau pour prolonger la durée de conservation à l'état congelé. Placez les aliments dans des conditionnements hermétiques après filtrage et placez-les dans le congélateur. Les bananes, les tomates, les feuilles de laitue, le céleri, les oeufs durs, les pommes de terre et les aliments similaires ne doivent pas être congelés. Lorsque les aliments pourrissent, seules les valeurs nutritionnelles et les qualités alimentaires sont négativement affectées. Il ne s'agit pas d'un aliment détérioré susceptible de constituer un danger pour la santé humaine.

### 5.26. Disposition des denrées

Étagères du compartiment congélateur	Vous pouvez congeler différents aliments comme de la viande, du poisson, des crèmes glacées, des légumes, etc.
Étagères du compartiment réfrigérateur	Les aliments contenus dans des casseroles, des plats couverts, des gamelles et les œufs (dans des gamelles)

Balconnets de la porte du compartiment réfrigérateur	Aliments emballés et de petite taille ou des boissons
Bac à légumes	Fruits et légumes
Compartiment des aliments frais	Épicerie fine (aliments pour petit déjeuner, produits carnés à consommer à court terme)

### 5.27. Alerte ouverture de porte (En option)

Un signal sonore est émis si la porte de l'appareil reste ouverte pendant au moins 1 minute. Le signal sonore s'arrête à la fermeture de la porte ou lorsqu'on appuie sur bouton de l'écran (si disponible).

Ce signal destiné à l'utilisateur est à la fois audible et visuel. Le voyant intérieur s'allume si le signal d'avertissement est émis pendant 10 minutes.

### 5.28. Inversion de la direction d'ouverture de la porte

Vous pouvez inverser le sens d'ouverture de votre réfrigérateur, en fonction de son emplacement. Lorsque vous souhaitez effectuer cette opération, contactez le service agréé le plus proche.

L'explication ci-dessus est une déclaration générale. Veuillez vérifier l'étiquette d'avertissement située à l'intérieur de l'emballage de votre appareil, au sujet de l'inversion de la direction de la porte.

### 5.29. Éclairage interne

L'éclairage interne utilise une lampe de type DEL. Contactez le service agréé pour tout problème lié à cette lampe.

N'utilisez pas l'ampoule de cet appareil pour l'éclairage des maisons. Cette ampoule a été conçue pour permettre à l'utilisateur de placer les aliments dans le réfrigérateur / congélateur en toute sécurité et confortablement.

Nettoyez régulièrement l'appareil afin de prolonger sa durée de vie et réduire les problèmes fréquemment rencontrés.



**AVERTISSEMENT** : Éteignez l'appareil avant de le nettoyer.



**AVERTISSEMENT** : Il est recommandé de nettoyer le condenseur tous les six mois avec des gants. Vous ne devez pas utiliser d'aspirateur.

- N'utilisez jamais d'essence, de benzène ou de matériaux similaires pour le nettoyage.
- N'utilisez jamais d'ustensiles abrasifs tranchants, de savon, de produit de nettoyage domestique, de détergent et de cirage pour effectuer le nettoyage.
- Dissolvez une cuillerée à café de carbonate dans un demi-litre d'eau. Trempez un chiffon dans cette solution et essorez-le complètement. Nettoyez soigneusement l'intérieur du réfrigérateur avec ce chiffon et séchez ensuite à l'aide d'un chiffon sec.
- Ne laissez pas de l'eau pénétrer dans le logement de lampe ou dans toute autre pièce électrique.
- Si vous n'utilisez pas le réfrigérateur pendant une période prolongée, débranchez-le, retirez-y tous les aliments, nettoyez-le et laissez la porte entrouverte.
- Vérifiez régulièrement que les joints des portes sont propres. Si tel n'est pas le cas, nettoyez-les.
- Retirez tous les aliments de l'appareil avant de retirer la porte et les étagères.
- Retirez les balconnets en les tirant vers le haut. Faites glisser les balconnets vers le bas pour les réinstaller après le nettoyage.
- N'utilisez jamais de produits de nettoyage chlorés ou d'eau pour nettoyer les surfaces extérieures ou les parties du produit recouvertes de chrome. Le chlore entraîne l'abrasion de ces surfaces métalliques.

- Pour des appareils qui ne sont pas de la marque No Frost, des gouttes d'eau et une couche de givre pouvant atteindre la largeur d'un doigt se forment sur la paroi arrière du compartiment réfrigérateur. Ne les nettoyez pas et évitez d'y utiliser de l'huile ou des produits similaires.
- Utilisez uniquement des tissus en microfibras légèrement mouillés pour nettoyer la surface externe de l'appareil. Les éponges et autres tissus de nettoyage sont susceptibles de rayer la surface.

## 6.1. Prévention des mauvaises odeurs

Les matériaux susceptibles d'être à l'origine d'une odeur ne sont pas utilisés dans la fabrication de nos réfrigérateurs. Toutefois, des odeurs peuvent se dégager si les aliments sont mal rangés ou si la surface interne de l'appareil n'est pas nettoyée comme il se doit. Veuillez tenir compte des points suivants pour éviter ce problème :

- Il est important de garder le réfrigérateur propre. Les résidus d'aliments, les taches, etc. peuvent être à l'origine des odeurs. Pour cette raison, nettoyez votre réfrigérateur avec du carbonate dissout dans de l'eau tous les 15 jours. N'utilisez jamais de détergent ou de savon.
- Conservez vos aliments dans des récipients fermés. Les micro-organismes émis par les récipients sans couvercle peuvent provoquer des odeurs désagréables.
- Ne gardez jamais les aliments périmés ou abîmés dans votre réfrigérateur.



## 6.2. Protection des surfaces en plastique.

Ne placez pas d'huiles ou de plats huileux dans le réfrigérateur dans des récipients non fermés, car les graisses peuvent endommager les surfaces en plastique du réfrigérateur. Si de l'huile est répandue ou étalée sur les surfaces en plastique, nettoyez et rincez immédiatement la partie concernée de la surface à l'eau tiède.

## 6.3. Nettoyage de la surface intérieure

Pour nettoyer les surfaces intérieures et toutes les parties amovibles, lavez-les avec une solution douce contenant du savon, de l'eau et du carbonate. Rincez et séchez complètement. Empêchez l'eau de toucher les dispositifs d'éclairage et le panneau de commande.



### ATTENTION :

N'utilisez pas de vinaigre, d'alcool à friction ou d'autres produits de nettoyage à base d'alcool sur les surfaces intérieures.

## 6.4. Surfaces extérieures en acier inoxydable

Utilisez un produit de nettoyage en acier inoxydable non abrasif et appliquez-le avec un chiffon doux et non pelucheux. Pour le polissage, essuyez avec douceur la surface avec un chiffon humide en microfibres et utilisez du cuir sec. Suivez toujours les fils d'acier inoxydable.

## 6.5. Nettoyage d'appareils avec portes en verre

Enlevez le film protecteur qui recouvre la vitre. Il y a un revêtement sur la surface de la vitre. Ce revêtement minimise la formation de taches et garantit un nettoyage facile des taches et des salissures. Les vitres non protégées par un tel revêtement peuvent être exposées à un colmatage persistant de polluants transportés par l'eau ou par l'air et d'origine organique ou inorganique comme le calcaire, les sels minéraux, les hydrocarbures non brûlés, les oxydes métalliques et les silicones qui peuvent facilement et rapidement former des taches ou entraîner ainsi des dégâts matériels. Malgré un lavage régulier, la vitre devient très difficile à nettoyer, mais reste nettoyable. En conséquence, la clarté et la bonne apparence du verre en pâtit. Les composés et méthodes de nettoyage durs et abrasifs augmentent encore ces défauts et accélèrent le processus de détérioration.

\*Les produits de nettoyage non alcalins, non abrasifs et à base d'eau doivent être utilisés pour les procédures de nettoyage usuelles. Pour que le revêtement ait une longue durée de vie, les substances alcalines ou abrasives ne doivent pas être utilisées lors des opérations de nettoyage.

Ces vitres ont été soumises à un processus de trempe pour augmenter leur résistance aux chocs et à la rupture.

Comme mesure de sécurité supplémentaire, les surfaces arrière des verres sont recouvertes d'un film de sécurité pour s'assurer qu'ils ne nuisent pas à l'environnement en cas de rupture.

Vérifiez la liste suivante avant de contacter le service après-vente. Cela vous permet de gagner du temps et de l'argent. Cette liste contient les problèmes fréquemment rencontrés qui ne sont pas le résultat d'un défaut de fabrication ou d'une mauvaise utilisation des matériaux. Il se peut que votre appareil ne présente pas certaines des caractéristiques décrites ici.

#### **Le réfrigérateur ne fonctionne pas.**

- Il peut ne pas être branché comme il se doit. >>>Branchez l'appareil correctement.
- Le fusible de la prise à laquelle votre réfrigérateur est branché ou le fusible principal a peut-être sauté. >>>Vérifiez le fusible.

#### **Condensation sur la paroi intérieure du compartiment réfrigérateur. (MULTI ZONE, COOL CONTROL et FLEXI ZONE).**

- La porte peut avoir été ouverte/fermée fréquemment. Évitez d'ouvrir/de fermer la porte du réfrigérateur fréquemment.
- L'environnement peut être trop humide. >>>N'installez pas le réfrigérateur à des endroits très humides.
- Les aliments contenant du liquide peuvent avoir été placés au réfrigérateur dans des récipients sans couvercle. >>>Assurez-vous que des aliments contenant du liquide rangés dans des récipients non fermés ne soient pas placés pas dans le réfrigérateur.
- La porte du réfrigérateur peut avoir été laissée entrouverte. >>>Ne gardez pas longtemps les portes de votre réfrigérateur ouvertes.
- Le thermostat peut avoir été réglé à un niveau très froid. >>>Réglez le thermostat à un niveau approprié.

#### **Le compresseur ne fonctionne pas.**

- Le dispositif de protection thermique du compresseur sautera en cas de coupures soudaines du courant ou de débranchement intempestif, en effet la pression du liquide réfrigérant du système de refroidissement ne sera pas équilibrée. Le réfrigérateur recommence à fonctionner normalement après 6 minutes environ. Si le réfrigérateur ne démarre pas à la fin de cette période, veuillez appeler le prestataire de services agréé.
- Le congélateur est en mode dégivrage. >>>Ceci est normal pour un réfrigérateur qui effectue le dégivrage entièrement automatique. Le cycle de dégivrage est effectué périodiquement.
- Le réfrigérateur ne doit pas être branché. >>>Assurez-vous que la fiche est bien insérée dans la prise.
- Les réglages de température peuvent être incorrects. >>>Sélectionnez la valeur de température correcte.
- Panne de courant possible. >>>Le réfrigérateur commence à fonctionner normalement une fois que l'alimentation est rétablie.

#### **Le niveau sonore augmente lorsque le réfrigérateur est en marche.**

- Les performances de fonctionnement du réfrigérateur peuvent varier en fonction des variations de température ambiante. Cela est normal et n'est pas un défaut.

#### **Le réfrigérateur fonctionne fréquemment ou pendant de longues périodes.**

## Dépannage

- Votre nouveau réfrigérateur est peut-être plus grand que l'ancien. Les grands réfrigérateurs durent plus longtemps.
- La température de la pièce est probablement élevée. >>> Il est normal que l'appareil fonctionne plus longtemps dans des environnements chauds.
- Il se peut que le réfrigérateur ait été branché ou chargé d'aliments. >>> Il faut plus de temps à l'appareil pour atteindre la température réglée lorsqu'il vient d'être branché ou chargé. Ce phénomène est normal.
- De grandes quantités d'aliments chauds ont peut-être été mises au réfrigérateur récemment. >>> Ne placez pas les aliments chauds dans le réfrigérateur.
- Les portes peuvent avoir été ouvertes fréquemment ou laissées entrouvertes depuis longtemps. >>> L'air chaud qui pénètre dans le réfrigérateur le fait fonctionner plus longtemps. N'ouvrez pas les portes fréquemment.
- Les portes des compartiments congélateur et réfrigérateur ont été laissées entrouvertes. >>> Assurez-vous que les portes sont bien fermées.
- L'appareil peut être réglé à une température très basse. >>> Réglez la température du réfrigérateur à un degré plus chaud et patientez que l'appareil atteigne ce niveau de température.
- Le joint de porte du réfrigérateur ou du compartiment congélateur peut être sale, usé, brisé ou mal fixé. >>> Nettoyez ou remplacez le joint. Tout joint endommagé/brisé fait fonctionner le réfrigérateur pendant une période de temps plus longue afin de conserver la température actuelle.

### **La température du réfrigérateur est adéquate, mais la température du congélateur est très basse.**

- La température du compartiment congélateur peut être réglée à une valeur très basse. >>> Réglez la température du compartiment congélateur à une valeur supérieure et vérifiez.

### **La température du congélateur est adéquate, mais la température du réfrigérateur est très basse.**

- Le réfrigérateur est réglé à une température très basse. >>> Réglez la température du réfrigérateur à un degré supérieur et vérifiez.

### **Les denrées conservées dans les tiroirs du compartiment de réfrigération sont congelées.**

- La température du compartiment réfrigérateur peut être réglée à une valeur très élevée. >>> Réglez la température du compartiment réfrigérateur à une valeur inférieure et vérifiez.

### **La température dans le réfrigérateur ou le congélateur est très élevée.**

- La température du compartiment réfrigérateur peut être réglée à une température très élevée. >>> Le réglage du compartiment réfrigérant a un effet sur la température du congélateur. Modifiez la température du réfrigérateur ou du compartiment congélateur jusqu'à ce que la température du réfrigérateur ou du compartiment congélateur atteigne un niveau adéquat.
- Les portes peuvent avoir été ouvertes fréquemment ou laissées entrouvertes depuis longtemps. >>> N'ouvrez pas les portes fréquemment.
- La porte a peut-être été laissée entrouverte. >>> Fermez complètement la porte.
- Le réfrigérateur était peut-être tout simplement branché ou chargé d'aliment. >>> Ce phénomène est normal. Il faut plus de temps à l'appareil pour atteindre la température réglée lorsqu'il vient d'être branché ou chargé.
- De grandes quantités d'aliments chauds ont peut-être été mises au réfrigérateur récemment. >>> Ne placez pas les aliments chauds dans le réfrigérateur.

### **Vibrations ou bruits.**

# Dépannage

- Le plancher peut ne pas être stable ou de niveau. >>>Si le réfrigérateur vibre légèrement, ajustez l'alimentation pour l'équilibrer. Assurez-vous que le sol est de niveau et capable de supporter le poids du réfrigérateur.
- Les objets placés sur le réfrigérateur peuvent causer du bruit. >>>Retirez tout objet placé sur le réfrigérateur.

## Le réfrigérateur produit des bruits semblables à de l'eau qui coule ou à la pulvérisation d'un liquide.

- Les écoulements de liquide et de gaz surviennent conformément aux principes de fonctionnement du réfrigérateur. >>>Ce phénomène est normal et n'est pas considéré comme un défaut.

## Le réfrigérateur émet un sifflement.

- Votre appareil est doté de ventilateurs qui servent à le refroidir. Cela est normal et n'est pas un défaut.

## L'humidité s'accumule sur les parois intérieures du réfrigérateur.

- Un temps chaud et humide augmente la formation de givre et de condensation. Cela est normal et n'est pas un défaut.
- Les portes peuvent avoir été ouvertes fréquemment ou laissées entrouvertes depuis longtemps. >>>N'ouvrez pas les portes fréquemment. Fermez les portes, si elles sont ouvertes.
- La porte a peut-être été laissée entrouverte. >>>Fermez complètement la porte.

## L'humidité est présente sur la surface extérieure du réfrigérateur ou entre les portes.

- L'air peut être humide. C'est tout à fait normal par temps humide. >>>La condensation disparaît une fois que le taux d'humidité diminue.
- L'espace présent entre deux portes du réfrigérateur peut présenter de l'humidité si vous utilisez rarement votre appareil. Ce phénomène est normal. Cette humidité disparaît en cas d'utilisation fréquente du réfrigérateur.

## L'intérieur du réfrigérateur dégage une mauvaise odeur.

- L'appareil n'a peut-être pas été nettoyé régulièrement. Nettoyez l'intérieur du réfrigérateur avec une éponge, de l'eau tiède ou de l'eau gazeuse.
- Certains récipients ou matériaux d'emballage peuvent provoquer des odeurs. >>>Utilisez un autre récipient ou du matériel d'emballage d'une autre marque.
- Les aliments peuvent avoir été mis au réfrigérateur dans des récipients sans couvercle. >>>Conservez les aliments dans des récipients fermés. Les micro-organismes émis par les récipients sans couvercle peuvent provoquer des odeurs désagréables.
- Sortez les aliments périmés ou abîmés du réfrigérateur.

## Il est impossible de fermer la porte.

- Des récipients peuvent empêcher la porte de se fermer. >>> Repérez les emballages qui obstruent la porte.
- Le réfrigérateur peut être instable sur le sol. >>>Ajustez les pieds du réfrigérateur au besoin pour le garder en équilibre.
- Le plancher peut ne pas être de niveau ou solide. >>>Assurez-vous que le plancher est de niveau et qu'il peut supporter le poids du réfrigérateur.

## Les bacs à légumes sont coincés.

- Les aliments peuvent toucher la paroi supérieure du bac à légumes. >>>Réorganisez les aliments dans le bac à légumes.

## Si la surface de l'appareil est chaude

Vous pouvez observer une élévation de la température entre les deux portes, sur les panneaux latéraux et au niveau de la grille arrière pendant le fonctionnement de l'appareil. Ce phénomène est normal et ne nécessite aucune opération d'entretien !

## Le ventilateur continue de fonctionner lorsque la porte est ouverte.

Le ventilateur peut continuer de fonctionner lorsque la porte du congélateur est ouverte.



**AVERTISSEMENT :** Si vous ne parvenez pas à résoudre le problème même après avoir suivi les instructions données dans cette section, contactez votre revendeur ou le prestataire de services agréé. N'essayez jamais de réparer un appareil défectueux.



58 0341 0000/AD

EN-DE-FR

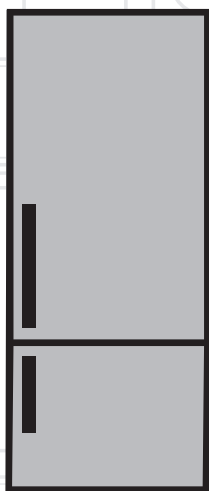
1/2



[www.beko.com](http://www.beko.com)

# Refrigerator

User manual



RCNE560E40ZXP

RCNE560E41DZXP

RCNE560K30P

RCNE560K30W

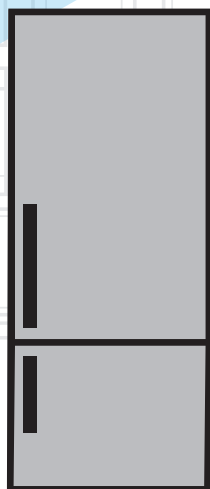
RCNE560E40LZXR

IT | |

**beko**

# Frigorifero

# Manuale utente



it |

**beko**

Gentile cliente,

ci piacerebbe che lei potesse raggiungere un livello di efficacia ottimale dal nostro prodotto, che è stato realizzato in una struttura moderna, adottando controlli meticolosi a livello qualitativo.

A tal fine la invitiamo a leggere con attenzione il manuale dell'utente prima di iniziare a servirsi del dispositivo. La invitiamo altresì a conservare il presente manuale per poterlo consultare in futuro. Qualora dovesse cedere il prodotto a terzi, consigliamo di accludere il presente manuale.

### **Il manuale dell'utente garantisce un utilizzo veloce e sicuro dell'apparecchiatura.**

- Consigliamo di leggere il manuale dell'utente prima di installare e mettere in funzione l'apparecchiatura.
- Rispettare sempre le istruzioni di sicurezza.
- Consigliamo di tenere la guida dell'utente a portata di mano per poterla consultare in futuro.
- La invitiamo a leggere gli altri eventuali documenti forniti con l'apparecchiatura

Ricordi che questo manuale può riferirsi a diversi modelli. Il manuale indica chiaramente le eventuali variazioni da un modello all'altro.

### **Simboli e note**

**Nel manuale sono utilizzati i seguenti simboli:**

	Informazioni importanti e consigli utili.
	Rischio di vita e proprietà.
	Rischio di scosse elettriche.
	L'imballaggio del prodotto è fatto di materiali riciclabili, in conformità con la Normativa Ambientale Nazionale.



## **1. Istruzioni relative a sicurezza e ambiente** **3**

- 1.1 Norme di sicurezza generali . . . . . 3
- 1.1.1 Avvertenza HC. . . . . 4
- 1.1.2 Per i modelli con la fontana d'acqua. . . . . 5
- 1.2 Impiego conforme allo scopo previsto . . . . . 5
- 1.3 Sicurezza bambini . . . . . 5
- 1.4 Conformità con la Direttiva WEEE e smaltimento dei prodotti di scarico. . . . . 5
- 1.5 Conformità con la direttiva RoHS. . . . . 6
- 1.6 Informazioni sull'imballaggio. . . . . 6

## **2 Frigorifero** **7**

### **3. Installazione** **8**

- 3.1 Luogo idoneo per l'installazione. . . . . 8
- 3.2 Prima di avviare il frigorifero . . . . . 8
- 3.3 Collegamenti elettrici. . . . . 9
- 3.4 Regolazione dei piedini . . . . . 9
- 3.5 Inversione degli sportelli . . . . . 10
- 3.6 Inversione degli sportelli . . . . . 11

### **4 Preparazione** **12**

- 4.1 Cose da fare ai fini del risparmio energetico 12
- 4.2 Uso iniziale. . . . . 12

### **5 Utilizzo del frigorifero** **13**

- 5.1. Pulsante di impostazione della temperatura 13
- 5.2. Congelamento rapido . . . . . 13
- 5.3. Funzione assenza . . . . . 14
- 5.4. Tasto di impostazione termostato. . . . . 15
- 5.5. Sbrinamento . . . . . 15
- 5.6. Pannello dei comandi . . . . . 16
- 5.7. Pannello dei comandi . . . . . 18
- 5.8. Pannello dei comandi . . . . . 21
- 5.9. Secchiello del ghiaccio . . . . . 24  
(Questa funzione è opzionale). . . . . 24

- 5.10. Scomparto per le uova . . . . . 24
- 5.11. Ventola . . . . . 24
- 5.12. Cestino per verdure . . . . . 24  
(Questa funzione è opzionale). . . . . 24
- 5.13. Scomparto zero gradi . . . . . 24  
(Questa funzione è opzionale). . . . . 24
- 5.14. Ripiano mobile sportello . . . . . 25
- 5.15. Scomparto scorrevole per la conservazione 25  
(Questa funzione è opzionale). . . . . 25
- 5.16. Cestino per verdure a umidità controllata . 26  
(Questa funzione è opzionale). . . . . 26
- 5.17. Macchina del ghiaccio automatica . . . . . 26  
(Questa funzione è opzionale). . . . . 26
- 5.18. Icematic e contenitore per conservare il ghiaccio. . . . . 27  
(Questa funzione è opzionale) . . . . . 27
- 5.19. Erogatore d'acqua . . . . . 27
- 5.20. Uso dell'erogatore d'acqua. . . . . 28
- 5.21. Pulizia del serbatoio dell'acqua . . . . . 29
- 5.22. Vaschetta per l'acqua. . . . . 30
- 5.23. HerbBox/HerbFresh . . . . . 30
- 5.24. Consigli per conservare alimenti surgelati 31
- 5.25. Dettagli congelatore . . . . . 31
- 5.26. Posizionamento degli alimenti. . . . . 32
- 5.27. Avvertenza sportello aperto. . . . . 32
- 5.28. Cambiare la lampadina di illuminazione . . 32

### **6. Pulizia e manutenzione** **33**

- 6.1. Evitare i cattivi odori . . . . . 33
- 6.2. Protezione delle superfici in plastica. . . . . 33

### **7. Risoluzione dei problemi** **34**

# 1. Istruzioni relative a sicurezza e ambiente

Questa sezione fornisce le istruzioni di sicurezza necessarie per evitare il rischio di lesioni e danni materiali. Il mancato rispetto di queste istruzioni invalida tutti i tipi di garanzia esistenti sul prodotto.

## Uso previsto



### **AVVERTENZA:**

Assicurarsi che i fori di ventilazione non siano chiusi quando il dispositivo è nella sua custodia o quando lo si inserisce nel suo alloggiamento.

### **AVVERTENZA:**

Non utilizzare alcun dispositivo meccanico o altri dispositivi per accelerare il processo di sbrinamento e seguire solo i consigli del fabbricante.

### **AVVERTENZA:**

Non danneggiare il circuito del liquido refrigerante.

**AVVERTENZA:** Non utilizzare apparecchi elettrici non consigliati dal fabbricante all'interno dei vani per la conservazione degli alimenti.

**AVVERTENZA:** Non conservare sostanze esplosive come aerosol con gas propellenti infiammabili nell'apparecchio.

Questo apparecchio è stato progettato per applicazioni domestiche e per la seguenti applicazioni similari:

- Per essere utilizzato nelle cucine del personale di negozi, uffici e altri luoghi di lavoro;
- Per essere utilizzato dai clienti negli alberghi e nelle case di campagna, motel e altri luoghi di alloggio.
- in ambienti tipo pensioni

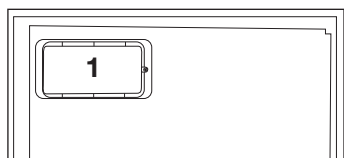
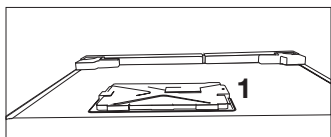
- in luoghi simili che non offrano servizi di ristorazione e non siano di vendita al dettaglio.

## 1.1 Norme di sicurezza generali

- Questo prodotto non dovrebbe essere usato da persone con disabilità a livello fisico, sensoriale e mentale, da persone senza un quantitativo sufficiente di conoscenze ed esperienza e da bambini. Queste persone potranno usare il dispositivo unicamente sotto la supervisione e le istruzioni di una persona responsabile della loro sicurezza. Ai bambini non dovrebbe essere consentito di giocare con questo dispositivo.
- In caso di malfunzionamento, scollegare il dispositivo.
- Dopo aver scollegato il dispositivo, attendere almeno cinque minuti prima di collegarlo nuovamente. Scollegare il prodotto se non viene usato. Non toccare la presa con le mani umide! Non tirare il cavo per eseguire lo scollegamento; prenderlo sempre per la spina.
- Non collegare il frigorifero se la presa sembra essere allentata.
- Scollegare il prodotto in fase di installazione, manutenzione, pulizia e riparazione.
- Qualora si preveda di non utilizzare il prodotto per un po' di tempo, scollegarlo ed estrarre gli eventuali elementi contenuti al suo interno.
- Non usare vapore o materiali detergenti a base di vapore per la pulizia del frigorifero e per lo scioglimento del ghiaccio al suo interno. Il vapore potrebbe entrare in contatto con le aree sotto tensione elettrica e causare cortocircuiti o scosse elettriche!
- Non lavare il prodotto spruzzando o versando acqua sullo stesso! Pericolo di scossa elettrica!

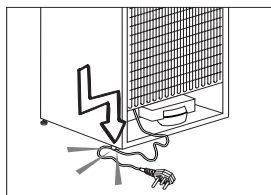
## Istruzioni relativamente a sicurezza e ambiente

- Non usare mai il prodotto se la sezione che si trova sulla parte superiore o posteriore del prodotto, con le schede dei circuiti elettronici stampati all'interno, è aperta (coprire schede dei circuiti elettronici stampati) (1).



- In caso di malfunzionamento, non usare il prodotto, dato che potrebbe emettere scosse elettriche. Contattare il servizio autorizzato prima di intervenire.
- Collegare il prodotto a una presa che disponga di messa a terra. L'operazione di messa a terra deve essere eseguita da un elettricista qualificato.
- Qualora il prodotto disponga di un'illuminazione a LED, contattare l'assistenza autorizzata per la sostituzione.
- Non toccare alimenti congelati con le mani bagnate! Gli alimenti si potrebbero attaccare alle mani!
- Non posizionare liquidi in bottiglie o lattine all'interno dello scomparto congelatore. Potrebbero esplodere!
- Collocare i liquidi in posizione verticale dopo aver saldamente chiuso il tappo.
- Non spruzzare sostanze infiammabili vicino al prodotto. Potrebbero bruciare o esplodere!

- Non conservare materiali e prodotti infiammabili, come ad esempio spray, all'interno del frigorifero.
- Non collocare contenitori di liquidi sopra al prodotto. Gli spruzzi su parti sotto tensione potrebbero provocare scosse elettriche e rischio di incendio.
- L'esposizione del prodotto a pioggia, neve, sole e vento potrebbe causare pericoli a livello elettrico. Qualora sia necessario spostare il prodotto, non tirarlo per la maniglia della porta. La maniglia si potrebbe staccare.
- Evitare che parti delle mani o del corpo restino impigliate nei meccanismi mobili all'interno del prodotto.
- Non calpestare o appoggiarsi a porta, cassetti e altre componenti del frigorifero. Così facendo il prodotto potrebbe cadere e si potrebbe danneggiare.
- Fare attenzione a non bloccare il cavo di alimentazione.



### 1.1.1 Avvertenza HC

Qualora il prodotto sia dotato di sistema di raffreddamento che utilizza il gas R600a, fare attenzione ad evitare di danneggiare il sistema di raffreddamento e il relativo tubo in fase di utilizzo e spostamento del prodotto. Questo gas è infiammabile. Se viene danneggiato il sistema di raffreddamento, tenere il prodotto lontano da fonti di calore e provvedere immediatamente ad arieggiare la stanza.

# Istruzioni relativamente a sicurezza e ambiente



Sul lato sinistro interno è indicato il tipo di gas usato nel prodotto.

## 1.1.2 Per i modelli con la fontana d'acqua

- La pressione di ingresso dell'acqua fredda dovrebbe essere al massimo 90 psi (620 kPa). Qualora la pressione dell'acqua superi il valore 80 psi (550 kPa), usare una valvola di limitazione della pressione nel sistema principale. Qualora non si sappia come verificare la pressione dell'acqua, chiedere aiuto a un idraulico professionista.
- In caso di rischio dell'effetto 'colpo d'ariete' nel proprio impianto, usare la strumentazione adatta per ridurre la probabilità di accadimento. Rivolgersi a idraulici professionisti in caso di dubbio relativamente alla presenza o meno dell'effetto 'colpo d'ariete' nel proprio impianto.
- Non installare l'ingresso dell'acqua calda. Prendere precauzioni contro il rischio di congelamento dei tubi. La gamma di funzionamento della temperatura dell'acqua dovrebbe essere 33°F (0.6°C) come minimo e 100°F (38°C) al massimo.
- Utilizzare solo acqua potabile.

## 1.2 Impiego conforme allo scopo previsto

- Questo prodotto è stato pensato per essere utilizzato in ambito domestico. Non è stato pensato per un uso di tipo commerciale.
- Il prodotto dovrebbe essere usato unicamente per la conservazione di alimenti e bevande.
- Non tenere prodotti dedicati, che richiedano temperature controllate, quali ad esempio vaccini, farmaci

sensibili al calore, all'interno del frigorifero.

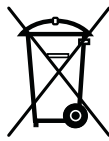
- Il produttore non si assume nessuna responsabilità per gli eventuali danni causati da un cattivo uso o da un uso scorretto.
- I pezzi di ricambio originali verranno forniti per 10 anni, successivamente alla data di acquisto del prodotto.

## 1.3 Sicurezza bambini

- Tenere gli imballaggi fuori dalla portata dei bambini.
- Non permettere ai bambini di giocare con il prodotto.
- Qualora la porta del prodotto comprenda un lucchetto, tenere la chiave fuori dalla portata dei bambini.

## 1.4 Conformità con la Direttiva WEEE e smaltimento dei prodotti di scarico

Questo prodotto è conforme alla direttiva WEEE dell'UE (2012/19/EU). Questo prodotto è dotato di un simbolo di classificazione per i prodotti elettrici ed elettronici di scarto (WEEE).



Il prodotto è stato realizzato con componenti e materiali di alta qualità che possono essere riutilizzati oltre che riciclati. Non smaltire il prodotto con i normali rifiuti domestici e altri rifiuti al termine del suo ciclo di vita utile.

Portare il prodotto a un centro di raccolta per il riciclaggio della strumentazione elettrica ed elettronica. Consigliamo di rivolgersi alle autorità locali per ulteriori informazioni su questi centri di raccolta.

## Istruzioni relativamente a sicurezza e ambiente

---

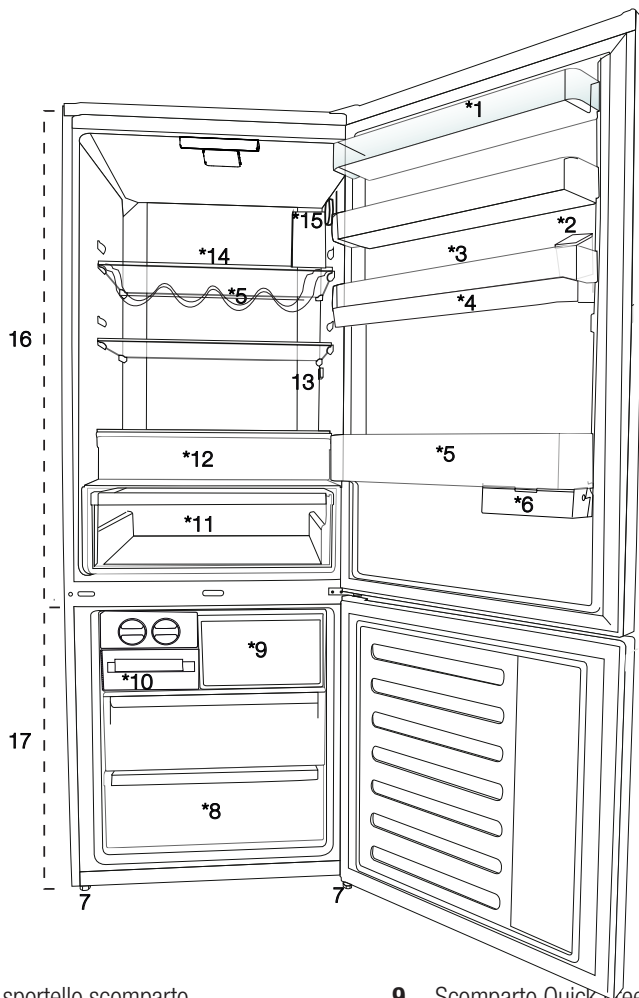
### 1.5 Conformità con la direttiva RoHS

- Questo prodotto è conforme alla direttiva WEEE dell'UE (2011/65/EU). Non contiene materiali dannosi e proibiti, indicati nella Direttiva.

### 1.6 Informazioni sull'imballaggio

- I materiali che compongono l'imballo del prodotto sono realizzati a partire da materiali riciclabili in conformità con le Normative Ambientali Nazionali. Non smaltire i materiali dell'imballo congiuntamente ai rifiuti domestici o ad altri rifiuti. Portarli presso i punti di raccolta imballaggi indicati dalle autorità locali.

## 2 Frigorifero



1. Ripiano sportello scomparto Coolerraggruppamento
2. Contenitore riempimento erogatore acqua
3. Porta uova
4. Serbatoio erogatore acqua
5. Ripiano bottiglie
6. Contenitori scorrevoli per la conservazione
7. Piedini regolabili
8. Scomparto freezer
9. Scomparto Quick Freeze
10. Portaggiaccio & banca Ice
11. Cestino per verdure
12. Scomparto zero gradi
13. Luce interna
14. Ripiano di vetro scomparto Cooler
15. Pulsante di regolazione della temperatura
16. Scomparto Cooler
17. Scomparto freezer



\*Opzionale: Le figure in questo manuale utente sono schematiche, e potrebbero non corrispondere esattamente al prodotto. Qualora il prodotto non contenga le parti descritte, l'informazione riguarda altri modelli.

## 3. Installazione

### 3.1 Luogo idoneo per l'installazione

Rivolgersi al Servizio Autorizzato per l'installazione del prodotto. Per rendere il prodotto pronto per essere installato, confrontare le informazioni nella guida dell'utente e accertarsi che i servizi elettrici e idrici siano presenti. In caso contrario contattare un elettricista e un idraulico per rendere questi servizi conformi ai requisiti.



**AVVERTENZA:** Il produttore non si assume nessuna responsabilità per gli eventuali danni causati dagli interventi eseguiti da personale non autorizzato.



**AVVERTENZA:** Il cavo di alimentazione del prodotto deve essere scollegato in fase di utilizzo. Il mancato rispetto di queste istruzioni potrebbe provocare morte o altre gravi lesioni!



**AVVERTENZA:** Qualora la porta sia troppo stretta per consentire il passaggio del prodotto, togliere la porta e ruotarla; qualora ciò non funzioni, contattare il servizio autorizzato.



**AVVERTENZA:** Avvertenza superficie calda  
Le pareti laterali del prodotto sono dotate di tubi refrigeranti per migliorare il sistema di raffreddamento. Il refrigerante a temperature elevate potrebbe scorrere in queste aree, causando così superfici calde sulle pareti laterali. Non si tratta di un'anomalia di funzionamento e non sono necessari interventi di manutenzione. Fare attenzione quando si toccano queste aree

- Collocare il prodotto su una superficie piana per evitare le vibrazioni.
- Collocare il prodotto ad almeno a 30 cm dal termosifone, dalla stufa e da altre fonti di calore e ad almeno 5 cm da eventuali forni elettrici.
- Non esporre il prodotto alla luce solare diretta o conservare in ambienti umidi.

- Il prodotto richiede una circolazione adeguata dell'aria per funzionare in modo efficace. Qual'ora il prodotto venga posizionato in un pavidigione estivo, ricordare di lasciare una distanza di almeno 5 cm fra il prodotto, il soffitto, e le pareti.
- Non installare il prodotto in ambienti con temperature inferiori ai 5°.

### 3.2 Prima di avviare il frigorifero

Controllare quanto segue prima di utilizzare il frigorifero:

- 1.** Montare i 2 cunei in plastica come illustrato sotto. I cunei in plastica servono a mantenere la distanza che assicura la circolazione dell'aria tra frigorifero e parete. (L'immagine è creata per illustrare e non è identica all'apparecchio).
- 2.** Pulire la parte interna del frigorifero come consigliato nella sezione "Manutenzione e pulizia".
- 3.** Collegare la spina del frigorifero alla presa elettrica. Quando lo sportello del frigorifero è aperto, la lampadina interna si accende.
- 4.** Quando il compressore comincia a funzionare, si sente un rumore. I liquidi e i gas sigillati nel sistema refrigerante possono produrre dei rumori, anche se il compressore non è in funzione; questo è abbastanza normale.
- 5.** I bordi anteriori del frigorifero possono essere tiepidi. Questo è normale. Queste zone sono progettate per essere tiepide per evitare la condensazione.

## Installazione

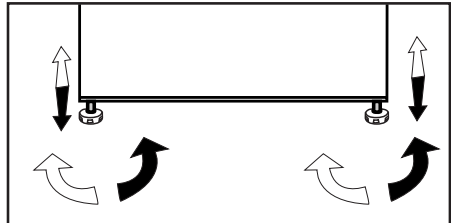
### 3.3 Collegamenti elettrici

Collegare il frigorifero ad una presa di messa a terra protetta da un fusibile della capacità appropriata. Importante:

- Il collegamento deve essere conforme ai regolamenti nazionali.
- La spina elettrica deve essere facilmente accessibile dopo l'installazione.
- La sicurezza elettrica del frigorifero è garantita unicamente se il sistema di messa a terra dell'apparecchiatura è conforme agli standard.
- La tensione dichiarata sull'etichetta che si trova nel lato interno a sinistra dell'apparecchio deve essere pari alla tensione di rete

### 3.4 Regolazione dei piedini

Se il frigorifero non è in equilibrio: è possibile bilanciare il frigorifero ruotando i piedini anteriori come illustrato in figura. L'angolo in cui i piedini sono più bassi quando girati in direzione della freccia nera e rialzati quando girati in direzione opposta. Un aiuto per sollevare leggermente il frigorifero faciliterà tale processo.

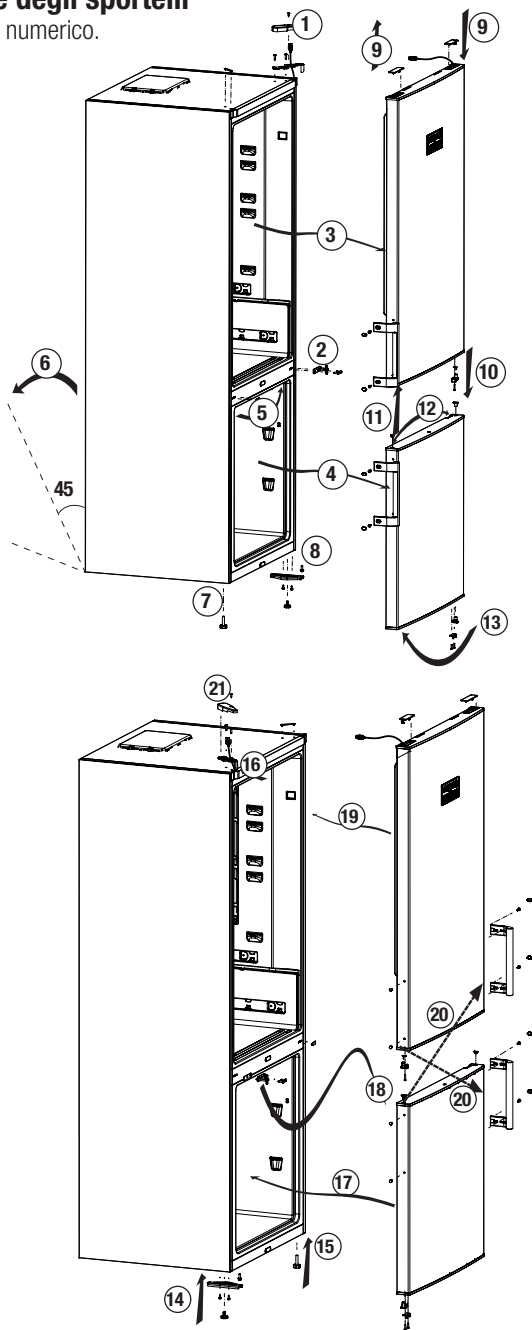




# Installazione

## 3.5 Inversione degli sportelli

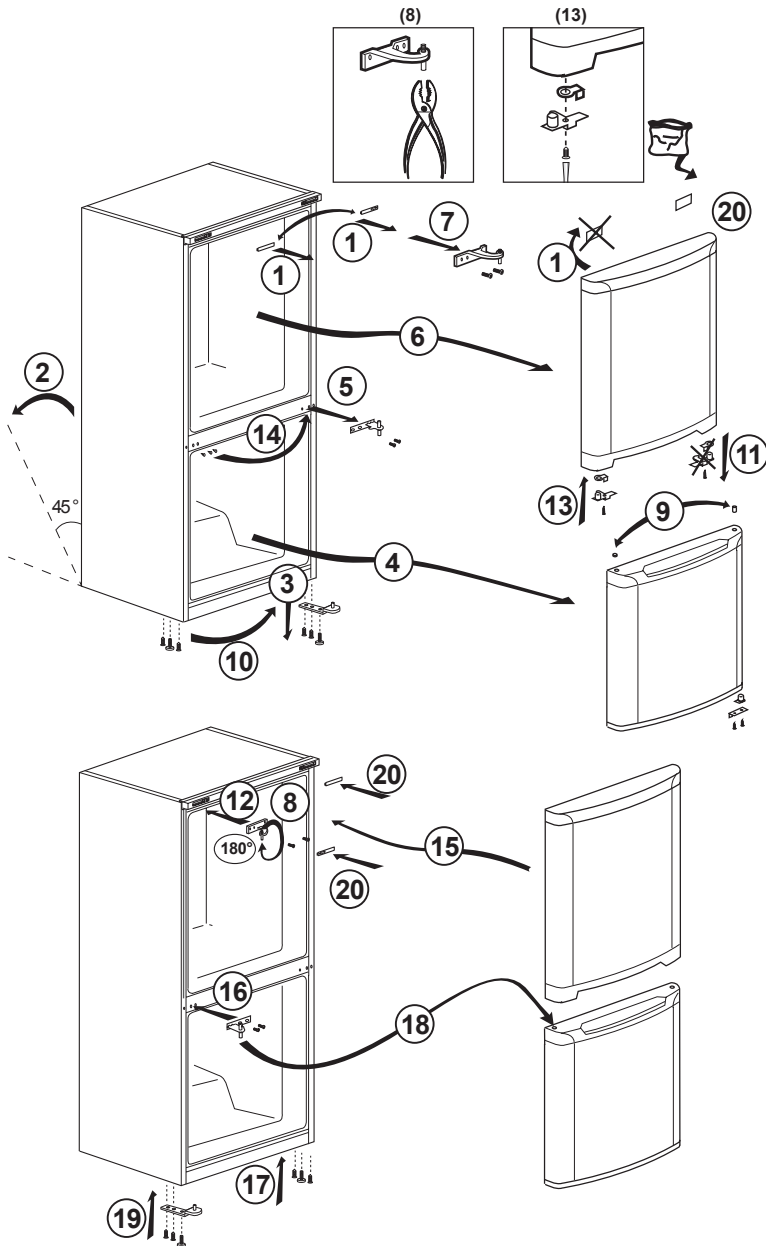
Procedere in ordine numerico.



# Installazione

## 3.6 Inversione degli sportelli

Procedere in ordine numerico.



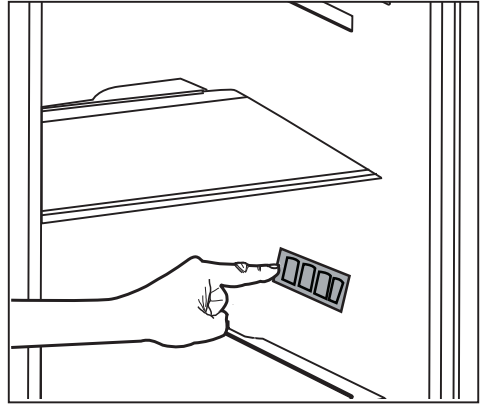
## 4 Preparazione

### 4.1 Cose da fare ai fini del risparmio energetico



La connessione dell'apparecchio a sistemi elettronici di risparmio energetico è rischiosa poiché potrebbe provocare danni all'apparecchio.

- Non lasciare lo sportello del frigorifero aperto per lunghi periodi.
- Non mettere alimenti o bevande caldi nel frigorifero.
- Non sovraccaricare il frigorifero; il blocco del flusso interno dell'aria riduce la capacità di raffreddamento.
- Per conservare la quantità massima di alimenti nello scomparto Cooler del frigorifero, bisogna estrarre i cassetti superiori e metterli sul ripiano di vetro. Il consumo energetico dichiarato per il frigorifero è stato stabilito estraendo lo scomparto Cooler, il vassoio del ghiaccio e i cassetti superiori in modo da consentire la conservazione massima. L'uso del cassetto inferiore è fortemente raccomandato. La funzione di risparmio energetico deve essere attivata per un migliore consumo energetico.
- Non bisogna bloccare il flusso dell'aria mettendo gli alimenti davanti alla ventola del Cooler. Uno spazio di almeno 3 cm deve essere lasciato davanti alla griglia della ventola protettiva quando si posizionano gli alimenti.
- A seconda delle caratteristiche dell'apparecchio, scongelare nello scomparto Cooler gli alimenti congelati assicura risparmio energetico e conserva la qualità degli alimenti.
- Gli alimenti devono essere conservati nei cassetti dello scomparto Cooler per assicurare risparmio energetico e proteggere gli alimenti in condizioni migliori.
- Le confezioni con gli alimenti non devono essere a contatto diretto con il sensore di calore che si trova nello scomparto Cooler. Se sono in contatto con il sensore, il consumo energetico dell'apparecchio potrebbe aumentare.
- Assicurarsi che gli alimenti non siano in contatto con il sensore della temperatura dello scomparto Cooler descritto sotto.



### 4.2 Uso iniziale

Prima di utilizzare il frigorifero, assicurarsi di eseguire le preparazioni necessarie in linea con le istruzioni delle sezioni "Istruzioni per sicurezza e ambiente" e "Installazione".

- Tenere l'apparecchio in funzione senza alimenti all'interno per 6 ore e non aprire lo sportello, a meno che non sia assolutamente necessario.



Si sente un suono quando il compressore si innesca. È normale sentire il suono anche quando il compressore non è attivo, a causa dei liquidi e dei gas compressi nel sistema di refrigerazione.



I bordi anteriori dell'apparecchio potrebbero riscaldarsi. Questo è normale. Il riscaldamento di queste parti è concepito per impedire la condensa.



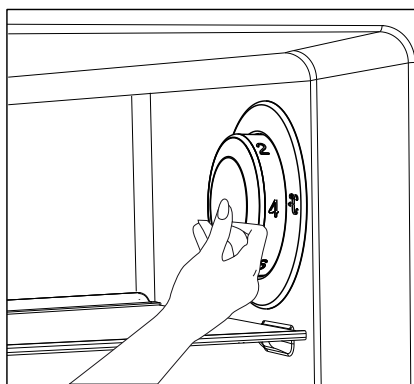
In alcuni modelli il pannello indicato si spegne automaticamente 5 minuti dopo la chiusura dello sportello. Si riattiva quando lo sportello viene aperto o se viene premuto un pulsante.

## 5 Utilizzo del frigorifero

### 5.1. Pulsante di impostazione della temperatura

La temperatura interna del frigorifero cambia per le seguenti cause;

- Temperature stagionali,
- Apertura frequente dello sportello e sportello lasciato aperto per lunghi periodi,
- Alimenti messi nel frigorifero senza lasciarli prima raffreddare a temperatura ambiente,
- Posizionamento del frigorifero nella stanza (per esempio, esposizione alla luce solare).
- Si può regolare la temperatura interna del frigorifero, che varia a causa di questi fattori, utilizzando il pulsante di impostazione.
- I numeri della manopola di controllo indicano i valori di temperatura in "°C".
- Se la temperatura ambiente è 25 °C, consigliamo di usare la manopola di controllo della temperatura del frigorifero sulla posizione 4°C. Questo valore può essere aumentato o diminuito come richiesto da altre temperature ambientali.

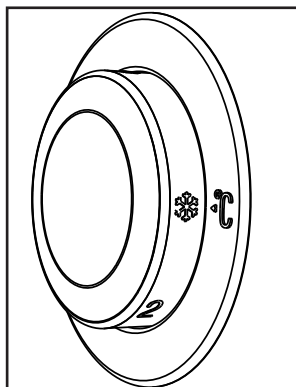


### 5.2. Congelamento rapido

Se è necessario congelare grosse quantità di alimenti freschi, portare la manopola di controllo (❄) sulla posizione max. 24 ore prima di mettere gli alimenti freschi nello scomparto di congelamento rapido.

Si consiglia di tenere la manopola in questa posizione per almeno 24 ore per congelare la quantità massima di cibo fresco riportata come capacità di congelamento. Fare attenzione a non mescolare cibi congelati e cibi freschi.

Ricordare di riportare la manopola di controllo della temperatura sulla posizione precedente quando gli alimenti si sono congelati.



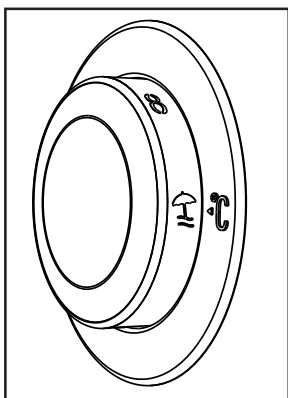
## Utilizzo del frigorifero

### 5.3. Funzione assenza

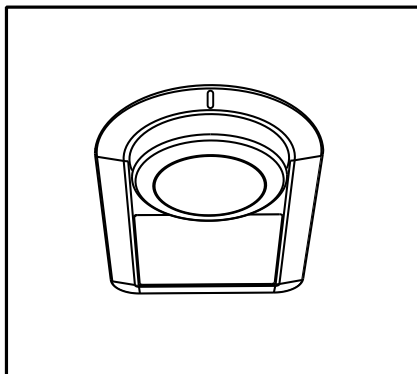
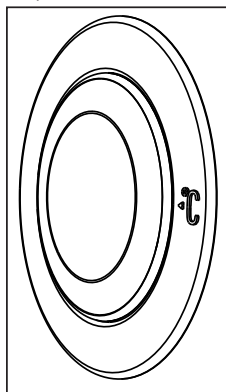
Se gli sportelli dell'apparecchio non sono aperti per 12 ore dopo il posizionamento della manopola di controllo della temperatura sulla posizione più alta, allora si attiva automaticamente la funzione assenza.

Per annullare questa funzione, modificare l'impostazione della manopola.

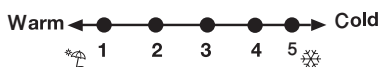
Non si consiglia di conservare alimenti nello scomparto più freddo quando è attiva la funzione assenza.



- Quando l'operazione di impostazione è completa, si può premere la manopola di controllo della temperatura e nascondersela.



La temperatura di funzionamento è regolata con il comando temperatura.



**1=impostazione raffreddamento minimo (Impostazione più calda)**

**4=impostazione raffreddamento massimo (Impostazione più fredda)**

La temperatura media all'interno del frigo dovrebbe essere intorno a +5°C.

Scegliere l'impostazione secondo la temperatura desiderata.

Notare che ci saranno temperature diverse nell'area di refrigerazione.

La sezione più fredda è quella immediatamente sopra lo scomparto per le verdure.

La temperatura interna dipende anche dalla temperatura ambiente, dalla frequenza con cui lo sportello viene aperto e dalla quantità di cibo contenuto all'interno.

L'apertura frequente della porta provoca un aumento della temperatura interna.

Per questo motivo si consiglia di chiudere la porta subito dopo l'uso, il più velocemente possibile.

## Utilizzo del frigorifero

### 5.4. Tasto di impostazione termostato

La temperatura interna del frigorifero cambia per le seguenti cause;

- Temperature stagionali,
- Apertura frequente dello sportello e sportello lasciato aperto per lunghi periodi,
- Alimenti messi nel frigorifero senza lasciarli prima raffreddare a temperatura ambiente,
- Posizionamento del frigorifero nella stanza (per esempio, esposizione alla luce solare).
- Si può regolare la temperatura interna del frigorifero, che varia a causa di questi fattori, utilizzando il termostato. I numeri riportati intorno al tasto indicano i gradi di raffreddamento.
- Se la temperatura ambiente è superiore ai 32°C, ruotare il tasto del termostato fino al punto massimo.
- Se la temperatura ambiente è inferiore ai 25°C, ruotare il tasto del termostato fino al punto minimo.

### 5.5. Sbrinamento

#### Scomparto frigo

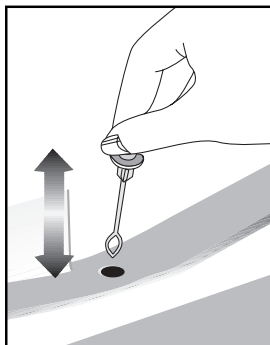
Lo scomparto frigo effettua l'operazione di sbrinamento in modo totalmente automatico. È possibile che durante la fase di sbrinamento del frigo si formi uno strato di brina fino a 7-8 mm sulla parete posteriore dello scomparto frigo. Tale fenomeno è una normale conseguenza del sistema di raffreddamento. La brina viene eliminata mediante uno sbrinamento automatico a intervalli, grazie al sistema di sbrinamento automatico posto sulla parete posteriore. Non è pertanto necessario raschiare la brina o rimuovere le gocce d'acqua.

L'acqua che viene prodotta dallo sbrinamento passa per la scanalatura di raccolta dell'acqua e fluisce nell'evaporatore attraverso il tubo di scarico e da lì evapora.

Lo scomparto del surgelatore non effettua operazioni di sbrinamento automatico per evitare di compromettere l'integrità dei cibi congelati.

Lo scomparto freezer si sbrina automaticamente.

Controllare regolarmente per vedere se il tubo di evaporazione è bloccato o meno, e pulirlo con il bastoncino nel foro, quando necessario.

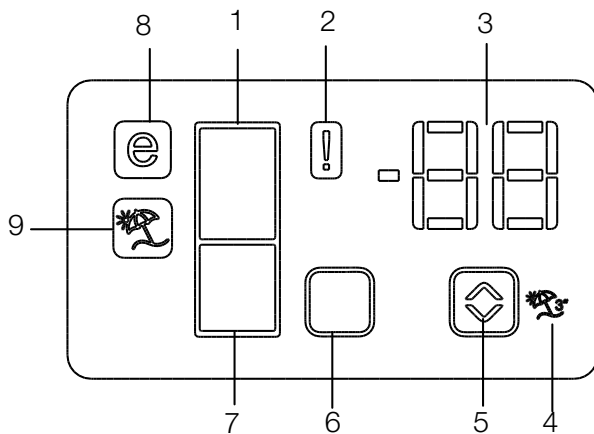


## Utilizzo del frigorifero

### 5.6. Pannello dei comandi

I pannelli degli indicatori possono variare secondo il modello del prodotto.

Il pannello degli indicatori aiuta ad usare il frigorifero con le relative funzioni audio e visive.



1. Indicatore scoproto frigo
2. Indicatore stato errore
3. Indicatore temperatura
4. Tasto Vacation
5. Tasto di impostazione della temperatura
6. Pulsante di selezione dello scoproto
7. Indicatore scoproto freezer
8. Indicatore modalità risparmio
9. Indicatore funzione vacanza



\*Opzionale: Le figure in questo manuale utente sono schematiche, e potrebbero non corrispondere esattamente al prodotto. Qualora il prodotto non contenga le parti descritte, l'informazione riguarda altri modelli.

## Utilizzo del frigorifero

### 1. Indicatore scomparto frigo

La luce dello scomparto frigo si accende quando si regola la temperatura dello scomparto frigo.

### 2. Indicatore stato errore

Se il frigo non raffredda in modo adeguato o se c'è un guasto ai sensori, questo indicatore sarà attivato. Quando questo indicatore è attivo, l'indicatore della temperatura dello scomparto freezer visualizza "E" e l'indicatore della temperatura dello scomparto frigo visualizza numeri come "1,2,3...". Questi numeri sull'indicatore forniscono informazioni sull'errore al personale dell'assistenza.

### 3. Indicatore temperatura

Indica le temperature di scomparto frigo e freezer.

### 4. Pulsante Vacation

Tenere premuto questo pulsante per 3 secondi per attivare la funzione assenza. Premere di nuovo questo pulsante per disattivare la funzione selezionata.

### 5. Pulsante di impostazione della temperatura

Cambia la temperatura dello scomparto pertinente tra -24°C... -18°C e 8°C...1°C.

### 6. Scomparto frigo

Premere il pulsante di selezione scomparto frigo per passare tra gli scomparti frigo e freezer.

### 7. Indicatore scomparto freezer

La luce dello scomparto freezer si accende quando si regola la temperatura dello scomparto freezer.

### 8. Indicatore modalità Economy

Indica che il frigorifero è in funzione in modalità a risparmio energetico. Questo indicatore si attiva se la temperatura dello scomparto freezer è impostata su -18 °C.

### 9. Indicatore funzione vacanza

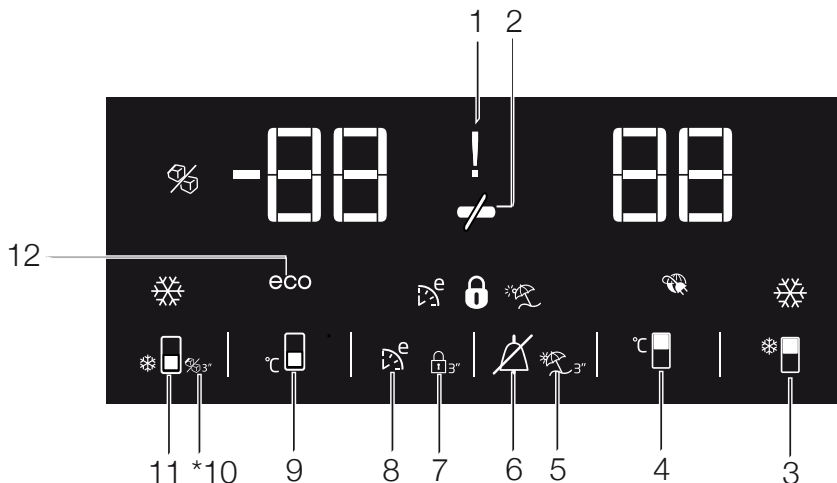
Indica che la funzione vacanza è attiva.




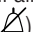
## Utilizzo del frigorifero

### 5.7. Pannello dei comandi

Il pannello con gli indicatori consente di impostare la temperatura e di controllare le altre funzioni collegate all'apparecchio senza aprire lo sportello dell'apparecchio. Basta premere le scritte sui pulsanti pertinenti per l'impostazione delle funzioni.




#### 1. Indicatore di avvertenza errore di alimentazione / alta temperatura / errore

Questo indicatore  si accende in caso di problemi di alimentazione, di alta temperatura e avvertenze di errore. Durante prolungata assenza di alimentazione, la temperatura più elevata che lo scomparto freezer raggiunge lampeggia sul display digitale. Dopo aver controllato gli alimenti che si trovano nello scomparto freezer  premere il pulsante di disattivazione allarme per annullare l'avvertenza.

#### 2. Funzione risparmio energetico (display spento):

Se gli sportelli dell'apparecchio sono tenuti chiusi a lungo, si attiva automaticamente una

funzione di risparmio energetico a lungo termine e si accende il simbolo del risparmio energetico. 

Quando la funzione di risparmio energetico è attiva, tutti i simboli sul display tranne quella del risparmio energetico si spengono. Quando la funzione risparmio energetico è attivata, se viene premuto un pulsante o lo sportello è aperto, si esce dalla modalità risparmio energetico e i simboli sul display tornano normali.

La funzione di risparmio energetico è attivata al momento della consegna della fabbrica e non può essere annullata.



\*Opzionale: Le figure in questo manuale utente sono schematiche, e potrebbero non corrispondere esattamente al prodotto. Qualora il prodotto non contenga le parti descritte, l'informazione riguarda altri modelli.

## Utilizzo del frigorifero

### 3. Funzione Quick Fridge

Questo pulsante ha due funzioni. Per attivare o disattivare la funzione Quick Cool premendolo brevemente. L'indicatore Quick Cool si spegnerà e l'apparecchio tornerà alle sue normali impostazioni. (●■)



Usare la funzione Quick Cool quando si desidera raffreddare velocemente gli alimenti posti nello scomparto frigo. Se è necessario raffreddare grandi quantità di cibo fresco, attivare questa funzione prima di inserire il cibo nel frigo.



Se non si annulla manualmente, la funzione Quick Cool si annullerà automaticamente dopo 8 ore o quando lo scomparto frigo ha raggiunto la temperatura richiesta.



Premendo il pulsante Quick Cool ripetutamente a brevi intervalli, il compressore non comincerà a funzionare immediatamente, in quanto il sistema di protezione del circuito elettronico sarà attivato.



Questa funzione non viene richiamata quando l'alimentazione si ripristina dopo un'assenza di corrente.

### 4. Pulsante di impostazione temperatura scomparto frigo

Premere questo pulsante per impostare la temperatura dello scomparto frigo rispettivamente su 8, 7,6, 5,4,3, 2, 8...

Premere questo pulsante per impostare la temperatura desiderata per lo scomparto frigo. (■)

### 5. Funzione assenza

Per attivare la funzione assenza, premere questo pulsante (■) per 3 secondi e l'indicatore della modalità Vacation (■) si attiva. Quando la funzione assenza è attiva, “-

” si visualizza sull'indicatore della temperatura dello scomparto frigo e non viene eseguito il raffreddamento attivo nello scomparto frigo. Non si possono conservare gli alimenti nello scomparto frigo quando questa funzione è attivata. Gli altri scomparti saranno ancora raffreddati secondo la loro temperatura impostata.

Per annullare questa funzione, premere di nuovo il pulsante della **funzione assenza**.

### 6. Avvertenza disattivazione allarme:

In caso di allarme per assenza di alimentazione/elevata temperatura, dopo aver controllato gli alimenti che si trovano nello scomparto freezer, premere il pulsante di disattivazione allarme (■) per annullare l'allarme.

### 7. Blocco tasti

Premere il pulsante di blocco tasti (■) contemporaneamente per 3 secondi. Simbolo blocco tasti

(■) si accende e si attiva la modalità blocco tasti. I pulsanti non funzionano quando è attiva la modalità blocco tasti. Premere di nuovo il pulsante di blocco tasti per 3 secondi. Il simbolo del blocco tasti si spegne e si esce dalla modalità blocco tasti.

Premere il pulsante **blocco tasti** se si desidera impedire la modifica dell'impostazione di temperatura del frigorifero (■).


### 8. Eco Fuzzy

Tenere premuto il pulsante Eco Fuzzy per 1 secondo per attivare la funzione Eco Fuzzy. Se viene attivata questa funzione, il frigo comincia a funzionare con la modalità più economica minimo 6 ore dopo e l'indicatore di uso economico si accende (■). Tenere premuto il pulsante Eco Fuzzy per 3 secondi per disattivare la funzione Eco Fuzzy.


## Utilizzo del frigorifero

Questo indicatore si accende dopo 6 ore quando si attiva la funzione Eco Fuzzy.

### 9. Pulsante di impostazione temperatura scomparto freezer

Premere questo pulsante per impostare la temperatura dello scomparto freezer a -18, -19, -20, -21, -22, -23, -24, -18..., rispettivamente. Premere questo pulsante per impostare la temperatura desiderata per lo scomparto freezer. 


### 10. Indicatore disattivazione Icematic

Indica se Icematic è attivo o disattivato.  ) Se è attivo, l'Icematic non è in funzione. Per attivare di nuovo l'Icematic tenere premuto il pulsante On-Off per 3 secondi.



Il flusso dell'acqua dal serbatoio dell'acqua si arresta quando viene selezionata questa funzione. Il ghiaccio preparato in precedenza, però, può essere prelevato da Icematic.

### 11. Pulsante funzione Quick Freeze/ Pulsante Icematic on-off

Premere questo pulsante per attivare o disattivare la funzione Quick Freeze. Quando si attiva la funzione, lo scomparto freezer viene raffreddato a una temperatura inferiore rispetto a quella impostata. 

Per attivare e disattivare l'Icematic, tenerlo premuto per 3 secondi.



Usare la funzione Quick Freeze quando si desidera congelare velocemente gli alimenti posti nello scomparto frigo. Se è necessario congelare grandi quantità di cibo fresco, attivare questa funzione prima di inserire il cibo nel frigo.



Se non si annulla manualmente, la funzione Quick Freeze si annullerà automaticamente dopo 4 ore o quando lo scomparto frigo ha raggiunto la temperatura richiesta.



Questa funzione non viene richiamata quando l'alimentazione si ripristina dopo un'assenza di corrente.

### 12. Indicatore uso economico

Indica che l'apparecchio è in funzione in modalità a risparmio energetico. **(eco)** Questo indicatore sarà attivo se la temperatura dello scomparto freezer è impostata su -18 o se il raffreddamento a risparmio energetico è attivo grazie alla funzione Eco-Extra.

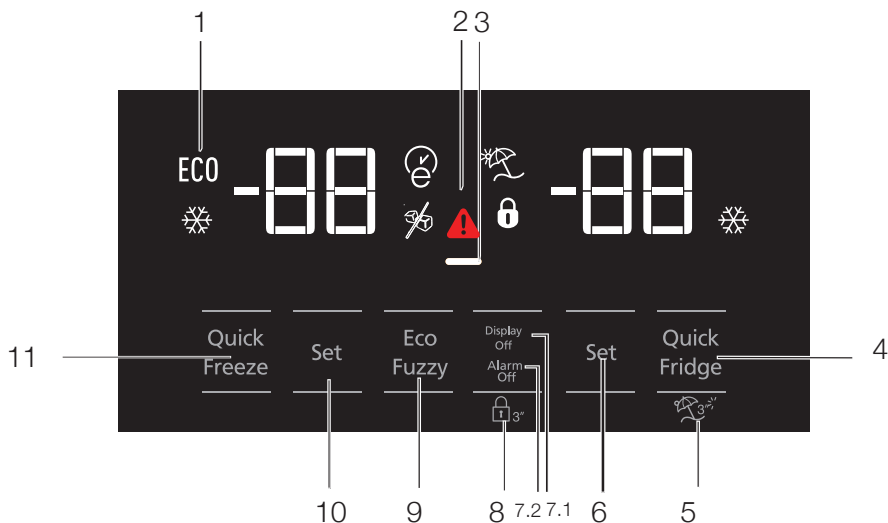


L'indicatore dell'uso economico si spegne quando sono selezionate le funzioni Quick Cool o Quick Freeze.

## Utilizzo del frigorifero

### 5.8. Pannello dei comandi

Il pannello con gli indicatori consente di impostare la temperatura e di controllare le altre funzioni collegate all'apparecchio senza aprire lo sportello dell'apparecchio. Basta premere le scritte sui pulsanti pertinenti per l'impostazione delle funzioni.



#### 1. Economy

Questo simbolo si accende quando lo scomparto freezer è impostato a -18°C. Questo è il valore di impostazione più economico (ECO). L'indicatore Economy si spegne quando sono selezionate le funzioni di raffreddamento o congelamento rapido.

#### 2. Indicatore di avvertenza errore/alta temperatura

Questo indicatore (⚠) si accende in caso di problemi di alta temperatura e avvertenze di errore.

#### 3. Funzione risparmio energetico (display spento)

Se gli sportelli dell'apparecchio sono tenuti chiusi a lungo, si attiva automaticamente una funzione di risparmio energetico a lungo termine e si accende il simbolo del risparmio energetico. Quando la funzione di risparmio energetico è attiva, tutti i simboli sul display tranne quella del risparmio energetico si spengono. Quando la funzione risparmio energetico è attivata, se viene premuto un pulsante o lo sportello è aperto, si esce dalla modalità risparmio energetico e i simboli sul display tornano normali.



\*Opzionale: Le figure in questo manuale utente sono schematiche, e potrebbero non corrispondere esattamente al prodotto. Qualora il prodotto non contenga le parti descritte, l'informazione riguarda altri modelli.

## Utilizzo del frigorifero

La funzione di risparmio energetico è attivata al momento della consegna della fabbrica e non può essere annullata.

### 4. Raffreddamento veloce

L'indicatore Quick Cool (❄️) si accende quando la funzione di raffreddamento rapido si attiva e il valore dell'indicatore della temperatura dello scomparto frigo viene visualizzato come 1. Per annullare questa funzione, premere nuovamente il pulsante Quick Cool. L'indicatore Quick Cool si spegnerà e il frigorifero tornerà alle sue normali impostazioni. La funzione Quick Cool si annulla automaticamente entro 1 ora se non la si annulla prima. Se si vogliono raffreddare grandi quantità di alimenti freschi, premere il pulsante Quick Cool prima di inserire gli alimenti nello scomparto frigo.

### 5. Funzione assenza

Per attivare la funzione assenza, premere il pulsante n. (5) (🔒) per 3 secondi e si attiva l'indicatore della modalità assenza. Quando la funzione assenza è attiva, " - " si visualizza sull'indicatore della temperatura dello scomparto frigo e non viene eseguito il raffreddamento attivo nello scomparto frigo. Non si possono conservare gli alimenti nello scomparto frigo quando questa funzione è attivata. Gli altri scomparti saranno ancora raffreddati secondo la loro temperatura impostata.

Per annullare questa funzione, premere di nuovo il pulsante della **funzione assenza**.

### 6. Impostazione temperatura scomparto frigo

Quando il pulsante n. (6) è premuto, si può impostare la temperatura dello scomparto frigo 8,7,6,5,4,3,2 e 1 rispettivamente (📺).

### 7.1 Funzione risparmio energetico (display spento):

Il simbolo di risparmio energetico (⚡) si

accende e la funzione di risparmio energetico si attiva quando si preme questo pulsante (⚡). Quando la funzione di risparmio energetico è attiva, tutti simboli sul display tranne quella del risparmio energetico si spengono. Quando la funzione risparmio energetico è attivata, se viene premuto un pulsante o lo sportello è aperto, si esce dalla modalità risparmio energetico e i simboli sul display tornano normali. Il simbolo del risparmio energetico si spegne e la funzione di risparmio energetico si disattiva quando si preme di nuovo questo pulsante (⚡).

### 7.2 Avvertenza disattivazione allarme

In caso di allarme per assenza di alimentazione/elevata temperatura, dopo aver controllato gli alimenti che si trovano nello scomparto freezer, premere il pulsante di disattivazione allarme per annullare l'allarme.

### 8. Blocco tasti

Premere il pulsante di blocco tasti (🔒) contemporaneamente per 3 secondi. Simbolo blocco tasti

(🔒) si accende e si attiva la modalità blocco tasti. I pulsanti non funzionano quando è attiva la modalità blocco tasti. Premere di nuovo il pulsante di blocco tasti per 3 secondi. Il simbolo del blocco tasti si spegne e si esce dalla modalità blocco tasti.

Premere il pulsante **blocco tasti** se si desidera impedire la modifica dell'impostazione di temperatura del frigorifero (🔒).

### 9. Eco Fuzzy

Tenere premuto il pulsante Eco Fuzzy per 1 secondo per attivare la funzione Eco Fuzzy. Se viene attivata questa funzione, il frigo comincia a funzionare con la modalità più economica minimo 6 ore dopo e l'indicatore di uso economico si accende (🌿). Tenere premuto il pulsante Eco Fuzzy per 3 secondi per disattivare la funzione Eco Fuzzy.

## Utilizzo del frigorifero


---


Questo indicatore si accende dopo 6 ore quando si attiva la funzione Eco Fuzzy.

### 10. Impostazione temperatura scomparto freezer

Qui si esegue l'impostazione della temperatura dello scomparto freezer. Quando si preme il pulsante n. 10, si può impostare la temperatura dello scomparto freezer a -18, -19, -20, -21, -22, -23 e -24 rispettivamente.

### 11. Congelamento rapido

Premere il pulsante n. (11) per il congelamento rapido, l'indicatore Quick Freeze () si attiva.

L'indicatore Quick Freeze si accende quando la funzione di congelamento rapido si attiva e il valore dell'indicatore della temperatura dello scomparto frigo viene visualizzato come -27. Per annullare questa funzione premere nuovamente il pulsante Quick Freeze () . L'indicatore Quick Freeze si spegnerà e il frigorifero tornerà alle sue normali impostazioni. La funzione Quick Freeze si annulla automaticamente entro 24 ore se non la si annulla prima. Se si vogliono congelare grandi quantità di alimenti freschi, premere il pulsante Quick Freeze prima di inserire gli alimenti nello scomparto freezer.

## Utilizzo del frigorifero

### 5.9. Secchiello del ghiaccio

#### (Questa funzione è opzionale)

- Estrarre il secchiello del ghiaccio dallo scomparto freezer.
- Riempire di acqua il secchiello del ghiaccio.
- Mettere il secchiello del ghiaccio nello scomparto freezer.
- Il ghiaccio sarà pronto dopo due ore circa. Estrarre il secchiello del ghiaccio dallo scomparto freezer e piegarlo delicatamente sul contenitore in cui sarà servito il ghiaccio. Il ghiaccio si versa facilmente nel contenitore.

### 5.10. Scomparto per le uova

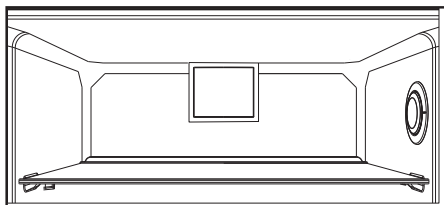
È possibile installare il porta uova sul ripiano desiderato della porta o del corpo.

Non porre mai il porta uova nello scomparto del freezer

### 5.11. Ventola

La ventola è stata concepita per garantire la circolazione dell'aria fredda all'interno del frigorifero in modo omogeneo. Il tempo di funzionamento della ventola potrebbe variare a seconda delle caratteristiche dell'apparecchio.

Se in alcuni apparecchi la ventola funziona solo con il compressore, in altri il sistema di controllo determina il tempo di funzionamento sulla base dell'esigenza di raffreddamento.



### 5.12. Cestino per verdure

#### (Questa funzione è opzionale)

- Il cestino per verdure dell'apparecchio è concepito per mantenere le verdure fresche, conservando l'umidità. A questo scopo, la circolazione complessiva dell'aria fredda è più intensa nel cestino delle verdure.

### 5.13. Scomparto zero gradi

#### (Questa funzione è opzionale)

Usare questo scomparto per conservare i prodotti di gastronomia a temperatura inferiore o la carne per il consumo immediato.

Lo scomparto zero gradi è la parte più fredda in cui conservare a condizioni ideali alimenti come prodotti caseari, carne, pesce e pollo. Verdura e/o frutta non devono essere conservate in questo scomparto.

## Utilizzo del frigorifero

### 5.14. Ripiano mobile sportello

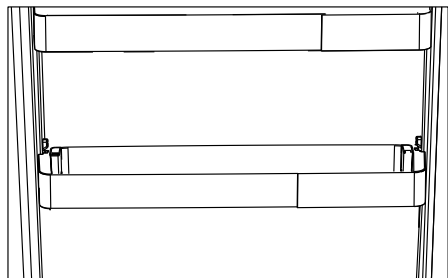
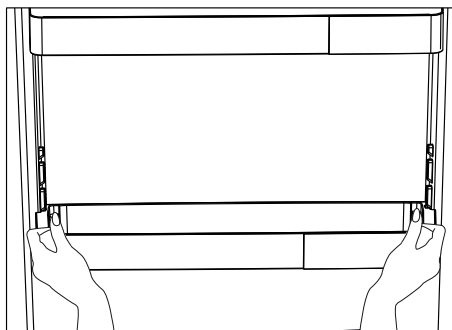
**(Questa funzione è opzionale)**

Il ripiano mobile dello sportello può essere fissato in 3 diverse posizioni.

Per spostare il ripiano, premere in modo uniforme i pulsanti ai lati. Il ripiano può essere spostato.

Spostare il ripiano verso l'alto o verso il basso.

Quando il ripiano è nella posizione desiderata, rilasciare i pulsanti. Il ripiano si fissa di nuovo nella posizione in cui sono stati rilasciati i pulsanti.

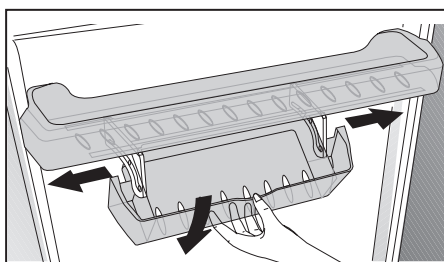


### 5.15. Scomparto scorrevole per la conservazione

**(Questa funzione è opzionale)**

Questo accessorio è progettato per accrescere il volume dei ripiani dello sportello.

Grazie alla sua capacità di spostarsi lateralmente, consente di posizionare facilmente bottiglie lunghe, barattoli o contenitori che vengono posti nella rastrelliera per bottiglie sotto.





## Utilizzo del frigorifero

### 5.16. Cestino per verdure a umidità controllata

#### (Questa funzione è opzionale)

Con la funzione di controllo dell'umidità, i tassi di umidità di verdura e frutta sono tenuti sotto controllo e assicurano un periodo di freschezza più lungo per gli alimenti.

Si raccomanda di conservare le verdure a foglia come lattuga e spinaci e verdure simili che rischiano la perdita di umidità non sulle radici ma in posizione orizzontale nel cestino per le verdure, per quanto possibile.

Quando si posizionano le verdure, mettere le verdure pesanti e dure sul fondo e quelle leggere e morbide sopra, tenendo conto del peso specifico delle verdure.

Non lasciare le verdure nel cestino nei sacchetti di plastica.

Lasciarle nei sacchetti di plastica provoca in breve tempo il deterioramento delle verdure. In situazioni in cui non si consiglia il contatto con le altre verdure, utilizzare materiali di imballaggio come carta con una certa porosità per motivi di igiene.

Non mettere frutta con elevata emissione di gas etilene come pere, albicocche, pesche e in particolare mele nello stesso cestino di verdure con altra verdura e frutta. Il gas etilene che fuoriesce da questi frutti potrebbe provocare all'altra frutta e verdura una maturazione e un deterioramento più veloci.

### 5.17. Macchina del ghiaccio automatica

#### (Questa funzione è opzionale)

La macchina del ghiaccio automatica consente di preparare facilmente il ghiaccio nel frigorifero. Per ottenere ghiaccio dalla macchina, estrarre il serbatoio dell'acqua nello scomparto Cooler, riempirlo con acqua e riposizionarlo.

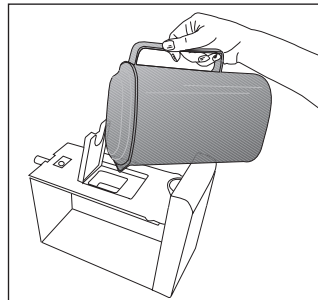
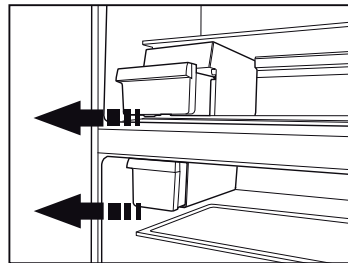
Il primo ghiaccio sarà pronto in circa 2 ore nel cassetto della macchina che si trova nello scomparto Cooler.

Dopo aver posizionato il serbatoio pieno dell'acqua, si possono ottenere circa 60-70 cubetti di ghiaccio finché non si svuota del tutto.

Se l'acqua è nel serbatoio da 2-3 settimane, deve essere cambiata.



Nei prodotti dotati di macchina del ghiaccio automatica, si potrebbe sentire un suono quando si versa il ghiaccio. Questo suono è normale e non è un segno di guasto.



## Utilizzo del frigorifero

### 5.18. Icematic e contenitore per conservare il ghiaccio

#### Uso di Icematic

#### (Questa funzione è opzionale)

\* Riempire Icematic con acqua e metterlo in sede. Il ghiaccio sarà pronto in due ore circa. Non rimuovere l'Icematic dalla sua sede per prendere il ghiaccio.

\* Ruotare le manopole in senso orario per 90 gradi.

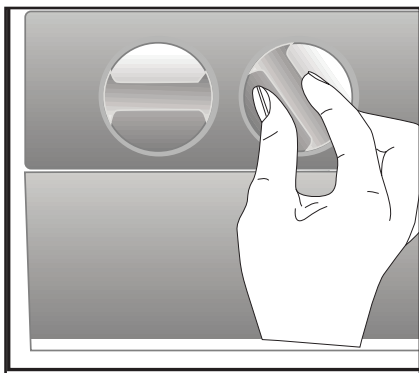
I cubetti di ghiaccio cadono nel contenitore per la conservazione del ghiaccio sotto.

\* È possibile estrarre il contenitore per la conservazione del ghiaccio e servire i cubetti.

\* Se lo si desidera, è possibile lasciare i cubetti nel contenitore per la conservazione del ghiaccio.

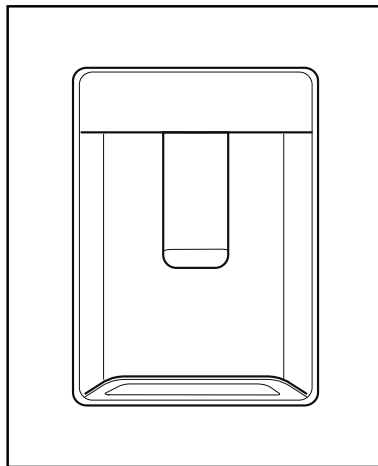
#### Contenitore per la conservazione del ghiaccio

Il contenitore per la conservazione del ghiaccio ha solo lo scopo di conservare i cubetti di ghiaccio. Non inserirvi dell'acqua, Altrimenti si romperà.



### 5.19. Erogatore d'acqua (in alcuni modelli)

L'erogatore dell'acqua è una funzione molto utile per ottenere acqua fredda senza aprire lo sportello del frigorifero. Dal momento che non bisogna aprire con frequenza lo sportello del frigorifero, si risparmia energia.



## Utilizzo del frigorifero

### 5.20. Uso dell'erogatore d'acqua

Premere il braccio dell'erogatore d'acqua col bicchiere. L'erogatore smette di erogare quando viene rilasciato il braccio.

Quando si usa l'erogatore dell'acqua, il flusso massimo può essere ottenuto premendo completamente il braccio. Ricordare che la quantità del flusso dall'erogatore è soggetta al livello di pressione sul braccio.

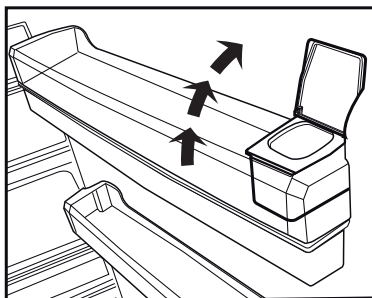
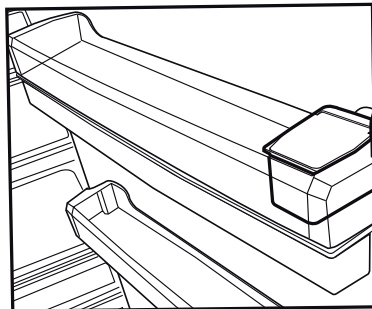
Quando il livello dell'acqua nel bicchiere/nel contenitore aumenta, diminuire leggermente la pressione sul braccio per evitare traboccamento. Se si preme delicatamente il braccio, l'acqua gocciola; questo è normale e non è un guasto.

### Riempimento del serbatoio dell'erogatore d'acqua

Il serbatoio per il riempimento dell'acqua si trova all'interno della rastrelliera dello sportello. Aprire il coperchio del serbatoio e riempire di acqua potabile pulita. E poi chiudere il coperchio.

### Avvertenza!

- Non riempire il serbatoio d'acqua con liquidi diversi dall'acqua, come succhi di frutta, bevande gassate o bevande alcoliche che non sono adatte per essere usate nell'erogatore d'acqua. L'erogatore d'acqua si danneggerebbe in modo irreparabile a causa dell'uso di questi liquidi. La garanzia non copre tali usi. Alcune sostanze chimiche e alcuni additivi contenuti in questo tipo di bevande/liquidi possono danneggiare il materiale del serbatoio d'acqua.
- Usare solo acqua potabile pulita e pura.
- La capacità del serbatoio dell'acqua è 3 litri; non riempire oltre.



## Utilizzo del frigorifero

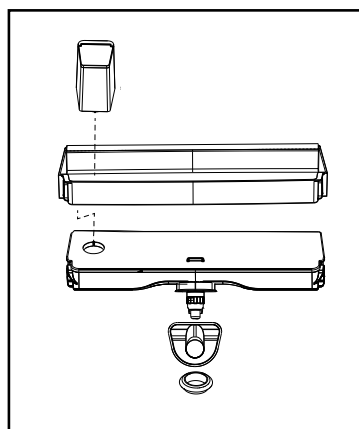
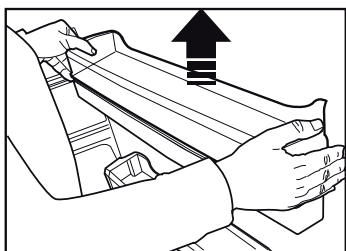
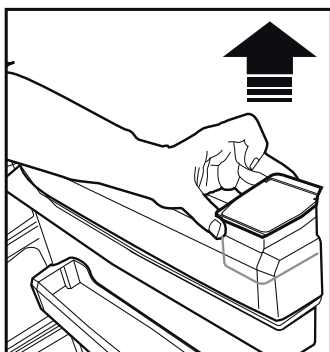
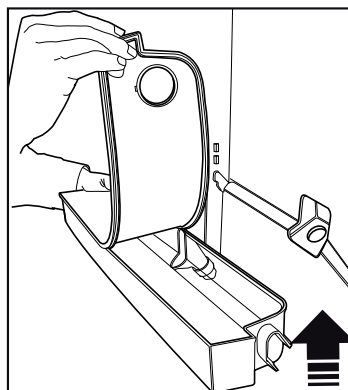
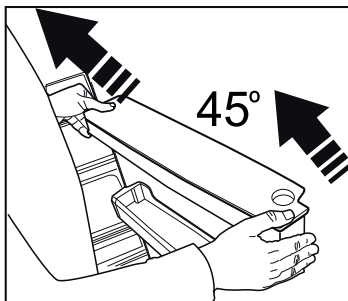
- Premere il braccio dell'erogatore d'acqua con un bicchiere rigido. Se si usano bicchieri di plastica usa e getta, spingere il braccio con le dita da dietro il bicchiere.

### 5.21. Pulizia del serbatoio dell'acqua

- Rimuovere il serbatoio di riempimento dell'acqua dalla rastrelliera interna dello sportello.
- Rimuovere la rastrelliera tenendo da entrambi i lati.
- Afferrare il serbatoio dell'acqua da entrambi i lati e rimuoverlo con un angolo di 45°C.
- Pulire il serbatoio dell'acqua rimuovendone il coperchio.

#### Importante:

I componenti del serbatoio dell'acqua e dell'erogatore dell'acqua non devono essere lavati in lavastoviglie.



## Utilizzo del frigorifero

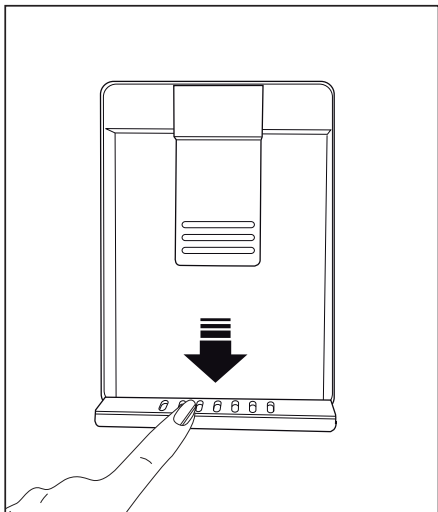
### 5.22. Vaschetta per l'acqua

L'acqua che sgocciola durante l'uso dell'erogatore si accumula nell'apposita vaschetta.

Estrarre la vaschetta in plastica come mostrato nella figura.

Con un panno asciutto e pulito, rimuovere l'acqua accumulata.

**ATTENZIONE:** Collegare solo ad una linea di acqua potabile.



### 5.23. HerbBox/HerbFresh

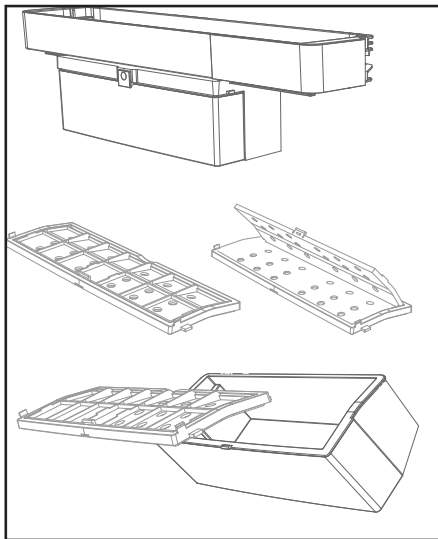
Togliere la custodia della pellicola dal HerbBox/HerbFresh+.

Togliere la pellicola dal sacchetto e inserirla nella custodia della pellicola come indicato in figura.

Chiudere la custodia e inserirla nuovamente nell'unità HerbBox/HerbFresh+.

Gli scomparti di HerbBox-HerbFresh+ sono ideali per la conservazione erbe aromatiche per quelle che devono essere conservate in condizioni sensibili. Potete conservare fresche le vostre verdure (prezzemolo, aneto, ecc) che avete tolto dal loro sacchetto in questo scomparto in posizione orizzontale per un periodo più lungo.

La pellicola deve essere sostituita ogni sei mesi.



## Utilizzo del frigorifero

Impostazione Scomparto Congelatore	Impostazione Scomparto Frigorifero	Descrizioni
-18°C	4°C	Questa è l'impostazione predefinita è consigliata.
-20,-22 o -24°C	4°C	Queste impostazioni sono consigliate per temperature ambiente che superano i 30°C.
Congelamento rapido	4°C	Servirsi di questa opzione per congelare alimenti in un breve lasso di tempo; il dispositivo tornerà alle impostazioni precedenti al termine del processo.
-18°C o inferiore	2°C	Servirsi di queste impostazioni qualora si ritenga che lo scomparto frigorifero non sia abbastanza freddo a causa della temperatura ambiente o a causa delle frequenti aperture della porta.

### 5.24. Consigli per conservare alimenti surgelati

Lo scomparto deve essere impostato a una temperatura minima di -18°C.

1. Collocare gli alimenti all'interno del congelatore quanto più rapidamente possibile per evitare che si scongelino.
2. Prima del congelamento, verificare la "data di scadenza" sulla confezione per accertarsi del fatto che il prodotto non sia scaduto.
3. Accertarsi che la confezione dell'alimento non sia danneggiata.

### 5.25. Dettagli congelatore

Conformemente agli standard IEC 62552, il congelatore deve avere la capacità di congelare 4,5 chili di alimenti a una temperatura di -18°C o inferiore, in 24 ore, per ogni 100 l di volume di scomparto di congelamento. Gli alimenti possono essere preservati solo per lunghi periodi di tempo a temperature uguali o inferiori a -18°. Sarà possibile conservare gli alimenti freschi per mesi, all'interno del congelatore a temperature uguali o inferiori a -18°).

Gli alimenti da congelare non devono entrare in contatto con gli altri alimenti già congelati all'interno del congelatore, per evitare uno scongelamento parziale.

Bollire le verdure filtrare l'acqua per estendere il tempo di conservazione congelato. Collocare gli alimenti in sacchetti ermetici, dopo aver eseguito il filtraggio e il posizionamento all'interno del congelatore. Banane, pomodori, lattuga, sedano, uova bollite, patate e altri alimenti simili non dovrebbero essere congelati. Congelando questi alimenti se ne ridurrà il valore nutrizionale e la qualità alimentare; i prodotti si potrebbero inoltre rovinare, il che causa problemi a livello di salute.

## Utilizzo del frigorifero

### 5.26. Posizionamento degli alimenti

Ripiani dello scomparto congelatore	Vari alimenti congelati quali ad esempio carne, pesce, gelato, verdura, eccetera.
Ripiani dello scomparto frigorifero	Alimenti all'interno di pentole, vassoi e contenitori, uova, all'interno di una confezione
Ripiani della porta scomparto frigorifero	Piccoli alimenti o bevande
Cassetto verdura	Frutta e verdura
Scomparto alimenti freschi	Prodotti gastronomici, ad esempio colazione, carne da consumare a breve

### 5.27. Avvertenza sportello aperto (Questa funzione è opzionale)

Un segnale di avvertenza audio viene emesso quando lo sportello dell'apparecchio viene lasciato aperto per almeno 1 minuto. Questa avvertenza scompare quando lo sportello viene chiuso o se viene premuto uno dei pulsanti del display (se presenti).

### 5.28. Cambiare la lampadina di illuminazione

Per cambiare lampadina/LED utilizzati per illuminare il frigorifero, rivolgersi al Servizio Assistenza Autorizzato.

La lampada (le lampade) usata (usate) nell'apparecchiatura non è (sono) adatta (adatte) per l'illuminazione domestica. L'obiettivo previsto per questa lampada è quello di assistere l'utente in fase di posizionamento degli alimenti all'interno del frigorifero / congelatore in modo sicuro e comodo.

## 6 Pulizia e manutenzione

Pulendo il prodotto a intervalli regolari sarà possibile prolungare la durata di vita.



**AVVERTENZA:** Scollegare il frigorifero dalla corrente prima di eseguire la pulizia.

- Non usare strumenti appuntiti e abrasivi, sapone, materiali per pulire la casa, detersivi, gas, gasolio, vernice e sostanze simili per gli interventi di pulizia.
- Per i prodotti non-No Frost, si verifica la formazione di gocce di acqua e ghiaccio fino allo spessore di un dito sulla parete posteriore dello scomparto frigo. Non pulire; non applicare mai olio né agenti simili.
- Utilizzare solo panni umidi in microfibra per pulire la superficie esterna del prodotto. Spugne e altri tipi di panni per la pulizia possono graffiare la superficie.
- Sciogliere un cucchiaino di bicarbonato in acqua. Ammorbidire un panno in acqua, quindi strizzarlo. Pulire il dispositivo con questo panno, quindi asciugare completamente.
- Fare attenzione a tenere lontana l'acqua dalla copertura delle lampade dalle altre componenti elettriche.
- Pulire la porta con un panno bagnato. Togliere tutti gli elementi all'interno per staccare la porta ed i ripiani del telaio. Sollevare i ripiani della porta verso l'alto per poterli rimuovere. Pulire e asciugare i ripiani, poi fissare nuovamente in posizione facendo scorrere da sopra.
- Non usare cloro cronica o prodotti detersivi sulla superficie esterna del dispositivo e sulle componenti rivestite in cromo del prodotto. Il cloro provoca ruggine su queste superfici metalliche.

### 6.1. Evitare i cattivi odori

Il prodotto è stato realizzato senza materiali che emettono cattivi odori. Conservare tuttavia gli alimenti in sezioni non adeguate e pulire le superfici interne in modo non consono potrebbe provocare cattivi odori.

A tal fine consigliamo di pulire l'interno con acqua gassata ogni 15 giorni.

- Tenere gli alimenti in contenitori sigillati. I microrganismi potrebbero fuoriuscire dagli alimenti non sigillati causando così cattivi odori.
- Non conservare alimenti scaduti e marci all'interno del frigorifero.
- Non usare strumenti affilati e abrasivi o sapone, agenti detersivi domestici, detersivi, gasolio, benzene, cera, ecc., altrimenti le indicazioni sulle parti in plastica si toglieranno e si verificherà deformazione. Usare acqua tiepida e un panno morbido unicamente per le operazioni di pulizia e asciugatura.

### 6.2. Protezione delle superfici in plastica

L'olio rovesciato sulle superfici in plastica potrebbe danneggiare la superficie, e deve essere pulito immediatamente servendosi di acqua tiepida.



## 7 Risoluzione dei problemi

Controllare questo elenco prima di contattare l'assistenza clienti. Questa operazione vi consentirà di risparmiare soldi. Questo elenco contiene i problemi più frequenti che non a livello di manodopera o materiali. Alcune funzioni qui indicate potrebbero non essere valide per il vostro prodotto.

### Il frigorifero non funziona.

- La presa di corrente non è stata inserita correttamente. >>> Spingerla fino a inserirla completamente nella presa.
- Il fusibile collegato alla presa che alimenta il prodotto, oppure il fusibile principale, è bruciato. >>> Controllare i fusibili.

### Condensa sulla parete laterale dello scomparto frigorifero (MULTI ZONE, COOL, CONTROL e FLEXI ZONE).

- La porta viene aperta troppo spesso >>> Fare attenzione a non aprire eccessivamente la porta del dispositivo.
- L'ambiente è troppo umido. >>> Non installare il prodotto in ambienti umidi.
- Gli alimenti che contengono liquidi vengono conservati in contenitori non sigillati. >>> Tenere gli alimenti in contenitori sigillati.
- La porta viene lasciata aperta. >>> Non tenere aperte a lungo le porte del frigorifero.
- Il termostato è impostato su una temperatura troppo bassa. >>> Impostare il termostato su una temperatura adeguata.

### Il compressore non funziona.

- In caso di improvviso black out, o nel caso in cui la spina venga tolta e poi reinserita, la pressione del gas nel sistema di raffreddamento del dispositivo non è equilibrata, il che fa scattare la protezione termica del compressore. Il dispositivo si riavvierà dopo circa 6 minuti. Qualora il prodotto non si riavvia dopo questo periodo, contattare l'assistenza.
- La modalità di scongelamento è attiva. >>>> Si tratta di una condizione normale per un frigorifero con funzione di sbrinamento completamente automatica. Lo sbrinamento avviene a intervalli periodici.
- Il prodotto non è collegato. >>> Verificare che il cavo di alimentazione sia collegato.
- L'impostazione di temperatura non è corretta. >>>> Selezionare l'impostazione di temperatura adeguata.
- Assenza di corrente. >>> Il prodotto continuerà a funzionare normalmente quando viene ripristinata la corrente elettrica.

### Il rumore di funzionamento del frigorifero aumenta col passare del tempo.

- Le prestazioni operative del prodotto possono variare a seconda delle variazioni di temperatura ambiente. Questa non è un'anomalia di funzionamento.

### Il frigorifero funziona troppo spesso o troppo lungo.

## Risoluzione dei problemi

- Il nuovo prodotto potrebbe essere più grande di quello precedente. I prodotti più grandi funzioneranno più a lungo.
- La temperatura ambiente potrebbe essere alta. >>> Il prodotto funzionerà normalmente per lunghi periodi di tempo con temperature superiori.
- Il prodotto potrebbe essere stato di recente collegato alla corrente, oppure al suo interno potrebbero essere stati recentemente aggiunti vari alimenti. >>> Allo prodotto servirà più tempo per raggiungere la temperatura impostata, se collegato di recente, oppure nel caso in cui vengano collocati nuovi elementi al suo interno, Non si tratta di un'anomalia.
- Forse di recente sono state introdotte nel frigorifero grandi quantità di alimenti caldi. >>> Non mettere alimenti caldi direttamente dentro al frigorifero.
- Le porte sono state aperte frequentemente o tenute aperte a lungo. >>> L'aria calda che si muove all'interno provocherà un funzionamento più lungo. Non aprire le porte con troppa frequenza.
- Le porte del congelatore o del frigorifero potrebbero essere socchiuse. >>> Controllare che le porte siano totalmente chiuse.
- Il prodotto potrebbe essere impostato su una temperatura troppo bassa, >>> Impostare la temperatura su un livello più alto e attendere che il prodotto raggiunga la temperatura desiderata.
- La rondella della porta del frigorifero del congelatore potrebbe essere sporca, usurata, rotta o non correttamente configurata, >>> Pulire e sostituire la rondella. Le rondelle consumate e usurate faranno funzionare il prodotto più a lungo per conservare la temperatura attuale.
- La temperatura dello scomparto frigorifero è impostata su un livello molto basso, >>> Impostare la temperatura dello scomparto frigorifero su un livello più alto, quindi eseguire un controllo.

### **Gli alimenti conservati nei cassetti dello scomparto frigorifero sono congelati.**

- La temperatura dello scomparto frigorifero è impostata su un livello molto basso, >>> Impostare la temperatura dello scomparto congelatore su un livello più alto, quindi eseguire un controllo.

### **La temperatura nel vano frigorifero e congelatore è troppo alta.**

- La temperatura dello scomparto frigorifero è impostata su un livello molto alto, >>> L'impostazione della temperatura dello scomparto frigorifero influenza la temperatura dello scomparto del congelatore. Modificare la temperatura dello scomparto congelatore o frigorifero e attendere che tutti gli scomparti interessati raggiungano il livello di temperatura impostata.
- Le porte sono state aperte frequentemente o tenute aperte a lungo. >>> Non aprire le porte con troppa frequenza.
- La porta potrebbe essere socchiusa. >>> Chiudere completamente la porta.
- Il prodotto potrebbe essere stato di recente collegato alla corrente, oppure al suo interno potrebbero essere stati recentemente aggiunti vari alimenti. >>> Al prodotto servirà più tempo per raggiungere la temperatura impostata, se collegato di recente, oppure nel caso in cui vengano collocati nuovi elementi al suo interno.
- Di recente sono state introdotte nel frigorifero grandi quantità di alimenti caldi. >>> Non mettere alimenti caldi direttamente dentro al frigorifero.

### **Vibrazioni o rumore.**

### **La temperatura del congelatore è molto bassa, ma la temperatura del frigorifero è corretta.**

- La temperatura dello scomparto congelatore è impostata su un livello molto basso, >>> Impostare la temperatura dello scomparto congelatore su un livello più alto, quindi eseguire un controllo.

### **La temperatura del frigorifero è molto bassa, ma la temperatura del congelatore è corretta.**

## Risoluzione dei problemi

- Il pavimento non è in piano o resistente. >>> Se il prodotto vibra, quando viene spostato lentamente, regolare i supporti per equilibrare il prodotto. Verificare inoltre che la superficie di appoggio sia sufficientemente resistente per supportarne il peso.
- Gli eventuali oggetti collocati sul prodotto potrebbero essere fonte di rumore. >>> Togliere gli eventuali elementi collocati sul prodotto.

### **Il prodotto emette rumori, come ad esempio liquido che scorre, spruzzo, eccetera**

- I principi operativi del prodotto prevedono la presenza di flussi di liquidi e flussi di gas. >>> Questa non è un'anomalia di funzionamento.

### **C'è un rumore, simile a un soffio, che proviene dal prodotto.**

- Il prodotto si serve di una ventola per il processo di raffreddamento. Questa non è un'anomalia di funzionamento.

### **Si è formata condensa sulle pareti interne del dispositivo.**

- Le condizioni meteo calde o umide aumentano la formazione di ghiaccio e di condensa. Questa non è un'anomalia di funzionamento.
- Le porte sono state aperte frequentemente o tenute aperte a lungo. >>> Non aprire le porte con troppa frequenza; se la porta è aperta, chiuderla.
- La porta potrebbe essere socchiusa. >>> Chiudere completamente la porta.

### **Si è formata condensa sulla superficie esterna del dispositivo o fra le porte.**

- Le condizioni ambientali potrebbero essere umide, e ciò è normale. >>> La condensa si dissipa quando l'umidità viene ridotta.

### **L'interno emette cattivi odori.**

- Il prodotto non viene pulito regolarmente. >>> Pulire la superficie interna a intervalli regolari servendosi di spugna, acqua tiepida, e acqua gassata.
- Alcuni contenitori e imballaggi potrebbero emettere cattivi odori. >>> Servirsi di imballaggi che non emettano cattivi odori.
- Gli alimenti sono stati collocati all'interno di contenitori non sigillati. >>> Tenere gli alimenti in contenitori sigillati. I microrganismi potrebbero fuoriuscire dagli alimenti non sigillati causando così cattivi odori.
- Rimuovere gli eventuali alimenti scaduti o rovinati dal dispositivo.

### **La porta non si chiude correttamente.**

- Le confezioni di cibo potrebbero bloccare la porta. >>> Trovare una nuova posizione per gli alimenti che bloccano le porte.
- Il prodotto non è in posizione verticale, appoggiato per terra. >>> Regolare i supporti per l'equilibrio del prodotto.
- Il pavimento non è in piano o resistente. >>> Verificare che la superficie di appoggio sia sufficientemente resistente per supportarne il peso.

### **Il cassetto verdura si è inceppato.**

- Gli alimenti potrebbero entrare in contatto con la sezione superiore cassetto. >>> Riorganizzare gli alimenti nel cassetto.

### **Se La Superficie Del Prodotto È Bollente.**

- Quando il prodotto è in funzione, possono essere osservate alte temperature tra i due sportelli, sui pannelli laterali e sul grill posteriore. . Ciò è normale e non richiede manutenzione!



**AVVERTENZA:** Qualora il problema persista dopo aver seguito le istruzioni contenute in questa selezione, contattare il proprio fornitore oppure un Servizio Autorizzato. Evitare in ogni caso di riparare il prodotto.



58 0341 0000/AD  
IT  
2/2



[www.beko.com](http://www.beko.com)